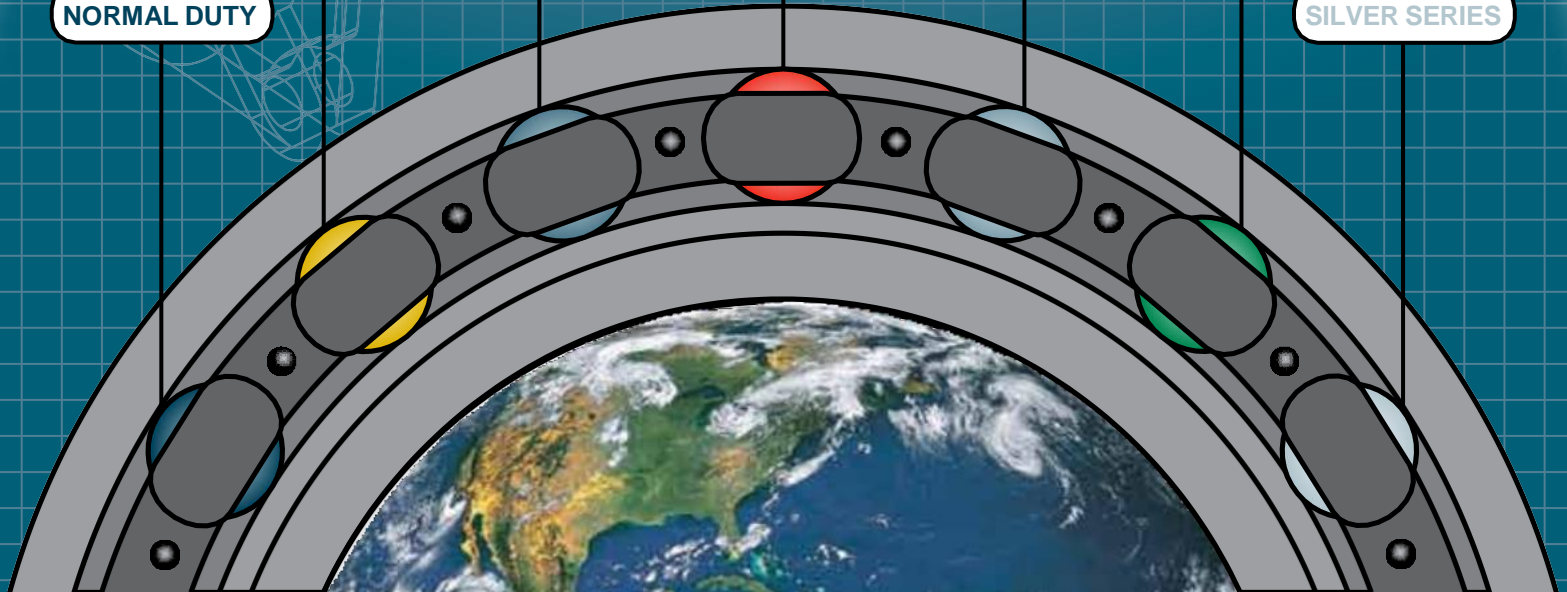
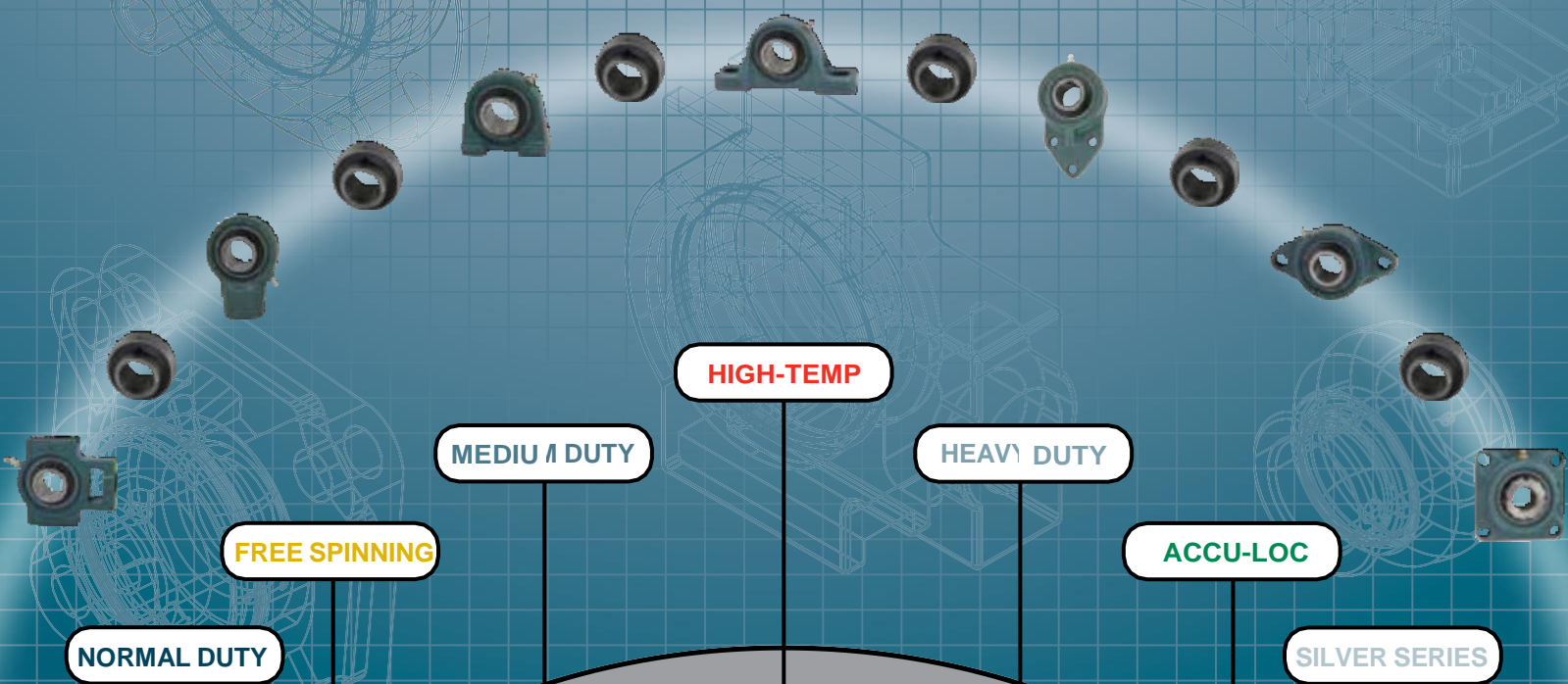


AMI Bearings, Inc.

an **ASAHI** company

Mounted Bearing Units

Phone: (800) 882-8642 • www.amibearings.com • Fax: (847) 759-0630





Grease fitting for relubrication

Set-screw mount shown (also available with adapter sleeves, eccentric and concentric locking collars)

Fully self-aligning

Single row deep groove ball bearing with riveted steel cage standard

Sturdy one piece cast iron housing, solid base pillow blocks

These consist of single row deep groove ball bearings; using world renowned **ASAHI**® brand quality bearings manufactured by Asahi Seiko Co., Ltd., Japan, and cast iron, malleable or ductile cast iron, pressed steel, stainless steel or thermoplastic housings of various configurations.

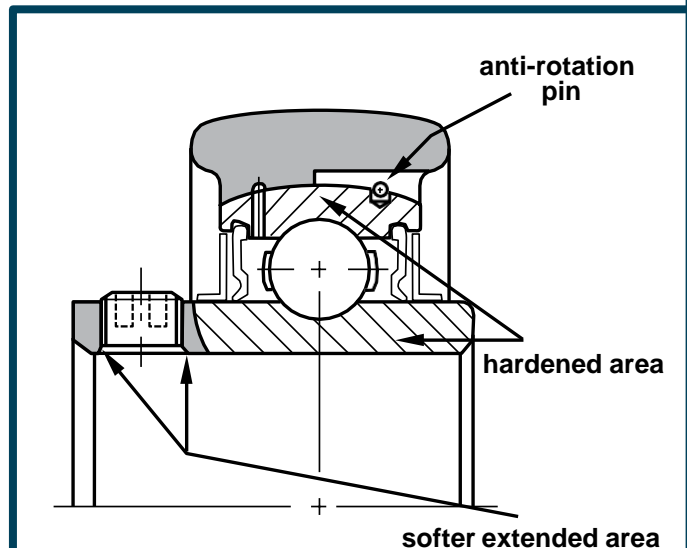
The self-contained bearing features a spherical ground outside diameter bearing that is assembled into a corresponding spherical housing seat, providing full self-alignment of the bearing unit.

A set-screw locking mechanism is shown in the bearing cutaway above; this is the most popular method of locking the bearing insert onto a shaft. Bearings with adapter sleeves, eccentric and concentric locking collars are also available.

For set-screw locking types, the inner ring of the self-contained bearing is hardened in the raceway and surrounding areas, where hardening is necessary, while the extended part where the set-screws are located is left metallurgically softer and slightly more flexible. This special heat treatment method ensures maximum bearing performance, while preventing the set-screws from loosening during operation, because the set-screws can be tightened as needed without causing destructive inner ring cracking.

ASAHI® is a registered trademark of Asahi Seiko Co., Ltd., Japan; Accu-Loc® is a registered trademark of AMI Bearings, Inc.; Browning is a registered trademark of Emerson Power Transmission Manufacturing L.P.; Dodge is a registered trademark of Baldor Electric Company; Fafnir is a registered trademark of The Timken Company; FYH is a registered trademark of Nippon Pillow Block MFG. Co.; Hub City is a registered trademark of Regal Beloit Corp.; IPTCI is a registered trademark of a Paul E. Robey Company; Link-Belt is a registered trademark of Rexnord Corporation; MB is a registered trademark of Rexnord Corporation; MRC/SKF is a registered trademark of SKF USA Inc.; NTN is a registered trademark of NTN Corporation of Japan; SealMaster is a registered trademark of Emerson Power Transmission Manufacturing L.P.

NOTE: Every effort has been put forth to ensure the accuracy of this catalog, but AMI Bearings, Inc. does not assume responsibility for any errors.



NOMENCLATURE						
Interchange by Manufacturer					6	
INTERCHANGE INFORMATION						
Prefix and Suffix Nomenclature					11	
Description	Series #	Locking Style	Dimensional Unit of Measurement	Housing Material	Page	
NORMAL DUTY UNITS						
Pillow Block Units	UCP200	Set-Screw (wide)	Inch & Metric	Cast Iron	13	
	UGP200	Eccentric (wide)	Inch & Metric		14	
	BP200	Set-Screw (narrow)	Inch & Metric		15	
	KHP200	Eccentric (narrow)	Inch & Metric		15	
	UKP200+H	Adapter Sleeve	Inch & Metric		16	
	UGAKH200	Eccentric (wide)	Inch & Metric		17	
Low Base Pillow Block Units	UCLP200	Set-Screw (wide)	Inch & Metric		18	
	BLP200	Set-Screw (narrow)	Inch & Metric		19	
	KHLP200	Eccentric (narrow)	Inch & Metric		19	
	UGAK200	Eccentric (wide)	Inch & Metric		20	
Expansion Pillow Block Units	UCEP200	Set-Screw (wide)	Inch & Metric		21	
	UCSP200		Inch & Metric		22	
Pillow Block Units	BLLP200	Set-Screw (narrow)	Inch & Metric		23	
	KHLLP200	Eccentric (narrow)	Inch & Metric		23	
	BPV200	Set-Screw (narrow)	Inch & Metric		24	
	KHPW200	Eccentric (narrow)	Inch & Metric		24	
	Pressed Steel Pillow Block Units	BPR200	Set-Screw (narrow)		Inch & Metric	25
KHPR200		Eccentric (narrow)	Inch & Metric		25	
BPP200		Set-Screw (narrow)	Inch & Metric	26		
KHPP200		Eccentric (narrow)	Inch & Metric	26		
Tap Base Pillow Block Units	UCTB200	Set-Screw (wide)	Inch	Cast Iron	27	
	UCPA200		Metric		27	
	BSHE200	Set-Screw (narrow)	Inch & Metric		28	
	KHSHE200	Eccentric (narrow)	Inch & Metric		28	
	UGSHE200	Eccentric (wide)	Metric		28	
	UCSHE200	Set-Screw (wide)	Metric		28	
Pedestal Base Pillow Block Units	UCPH200	Set-Screw (wide)	Inch & Metric	29		
Two-Bolt Adjustable Flange Units	UCFA200	Set-Screw (wide)	Inch & Metric	Cast Iron	30	
Two-Bolt Flange Units	UCFL200		Inch & Metric		31	
	UCFT200		Inch & Metric		32	
	BFT200	Set-Screw (narrow)	Inch & Metric		33	
	KHFT200	Eccentric (narrow)	Inch & Metric		33	
	UGFJT200		Inch & Metric		34	
Piloted Two-Bolt Flange Units	UGCJTZ200	Eccentric (wide)	Inch & Metric		35	
Two-Bolt Flange Units	BLFL200	Set-Screw (narrow)	Inch & Metric		Malleable Cast	36
	KHLFL200	Eccentric (narrow)	Inch & Metric			36
	BFX200	Set-Screw (narrow)	Inch & Metric	37		
	KHFX200	Eccentric (narrow)	Inch & Metric	37		
	BLCTE200	Set-Screw (narrow)	Inch & Metric	38		
	KHLCTE200	Eccentric (narrow)	Inch & Metric	38		
Pressed Steel Two-Bolt Flange Units	BPFL200	Set-Screw (narrow)	Inch & Metric	Pressed Steel	39	
	KHPFL200	Eccentric (narrow)	Inch & Metric		39	
Three-Bolt Flange Bracket Units	UCFB200	Set-Screw (wide)	Inch	Cast Iron	40	
	UCFK200		Metric		40	
Three-Bolt Flange Units	BTM200	Set-Screw (narrow)	Inch	Malleable Cast	41	
	KHTM200	Eccentric (narrow)	Metric		41	
	BPF200	Set-Screw (narrow)	Inch & Metric	Pressed Steel	42	
	KHPF200	Eccentric (narrow)	Inch & Metric		42	
	BPFT200	Set-Screw (narrow)	Inch & Metric		43	
	KHPFT200	Eccentric (narrow)	Inch & Metric		43	
Four-Bolt Flange Units	UCLF200	Set-Screw (wide)	Inch	Cast Iron	44	
	UCF200		Inch & Metric		44	
	KHLF200		Inch & Metric		45	
	KHF200	Eccentric (narrow)	Inch & Metric		45	
	UGSLF200	Eccentric (wide)	Inch & Metric		46	
	UKF200+H	Adapter Sleeve	Inch & Metric		47	
	UGGFDR200	Eccentric (wide)	Inch & Metric		Malleable Cast	48
Piloted Flange Cartridge Units	UCFC200	Set-Screw (wide)	Metric	Cast Iron	49	
	UCFCS200		Inch & Metric		50	
	UCFCF200		Inch & Metric		51	
	BME200	Set-Screw (narrow)	Metric		52	
	KHME200	Eccentric (narrow)	Metric		52	
	UGME200	Eccentric (wide)	Metric		52	

Description	Series #	Locking Style	Dimensional Unit of Measurement	Housing Material	Page		
NORMAL DUTY UNITS							
Piloted Flange Cartridge Units	UCME200	Set-Screw (wide)	Metric	Cast Iron	52		
Cartridge Units	UCLC200		Inch		53		
	UCC200		Metric		53		
Cylindrical Rubber Cartridge Units	BRRCSM200	Set-Screw (narrow)	Inch & Metric	Rubber	54		
	KHRRCSM200	Eccentric (narrow)	Inch & Metric		54		
Wide Slot Take-Up Units	UCST200	Set-Screw (wide)	Inch	Cast Iron	55		
Take-Up Units	UCT200		Metric		56		
Narrow Slot Take-Up Units	UCNST200		Inch		57		
Hanger Bearing Units	UCECH200		Set-Screw (wide)		Inch & Metric	58	
NORMAL DUTY UNITS WITH PRESSED STEEL COVERS							
Pillow Block Units w/Cover	UCP200C(CE)	Set-Screw (wide)	Metric	Cast Iron	59		
	UCLP200C(CE)		Metric		59		
Two-Bolt Flange Units w/Cover	UCFL200C(CE)		Metric		59		
Four-Bolt Flange Units w/Cover	UCF200C(CE)		Metric		59		
Piloted Flange Cartridge Units w/Cover	UCFC200C(CE)		Metric		59		
Wide Slot Take-Up Units w/Cover	UCST200C(CE)		Metric		59		
NORMAL DUTY UNITS WITH CAST IRON COVERS							
Pillow Block Units w/Cover	CUCP200C(CE)	Set-Screw (wide)	Metric	Pressed Steel	60		
Two-Bolt Flange Units w/Cover	CUCFL200C(CE)		Metric		60		
Four-Bolt Flange Units w/Cover	CUCF200C(CE)		Metric		60		
Piloted Flange Cartridge Units w/Cover	CUCFC200C(CE)		Metric		60		
Wide Slot Take-Up Units w/Cover	CUCT200C(CE)		Metric		60		
ACCU-LOC UNITS							
Pillow Block Units	UEP200	Concentric	Inch & Metric	Cast Iron	62		
Low Base Pillow Block Units	UEL200		Inch & Metric		63		
Tap Base Pillow Block Units	UETB200		Inch		64		
	UEPA200		Metric		64		
Two-Bolt Flange Units	UEFT200		Inch & Metric		65		
	UELFL200		Inch & Metric		66		
	UETFT200		Inch & Metric		67		
	UEFX200		Inch & Metric		68		
Three-Bolt Flange Units	UETM200		Inch & Metric		Malleable Cast	69	
Three-Bolt Flange Bracket Units	UEFB200		Inch		Cast Iron	70	
	UEFK200		Metric			70	
Four-Bolt Flange Units	UEF200		Inch & Metric		71		
Piloted Flange Cartridge Units	UEFCS200		Inch & Metric		72		
Cartridge Units	UELC200		Inch		Cast Iron	73	
	UEC200		Metric			73	
Wide Slot Take-Up Units	UEST200		Inch		Cast Iron	74	
	UET200		Metric			74	
Hanger Bearing Units	UEECH200		Inch & Metric		75		
MEDIUM DUTY UNITS							
Pillow Block Units	UCPX00		Set-Screw (wide)		Inch & Metric	Cast Iron	77
	UKPX00+H		Adapter Sleeve		Inch & Metric		78
Two-Bolt Flange Units	UCFLX00		Set-Screw (wide)		Inch & Metric		79
	UCFX00				Inch & Metric		80
Four-Bolt Flange Units	UKFX00+H		Adapter Sleeve		Inch & Metric		81
Piloted Flange Cartridge Units	UCFCSX00		Set-Screw (wide)		Inch		82
	UCFCX00				Metric		82
Wide Slot Take-Up Units	UCTX00		Set-Screw (wide)		Inch & Metric		83
HEAVY DUTY UNITS							
Pillow Block Units	UCP300	Set-Screw (wide)	Inch & Metric	Cast Iron	85		
	UGP300	Eccentric (wide)	Inch & Metric		86		
	UKP-U300+H	Adapter Sleeve	Inch		87		
	UGP-U300	Eccentric (wide)	Inch & Metric		88		
	UCP-U300	Set-Screw (wide)	Inch & Metric		89		
Expansion Pillow Block Units	UGPE-U300	Eccentric (wide)	Inch & Metric		90		
	UCPE-U300	Set-Screw (wide)	Inch & Metric		91		
Pillow Block Units	UGAO300	Eccentric (wide)	Inch & Metric		92		
	UCAO300	Set-Screw (wide)	Inch & Metric		93		
	UGSAO300	Eccentric (wide)	Inch & Metric		94		
	UCSAO300	Set-Screw (wide)	Inch & Metric		95		
	UKP300+H	Adapter Sleeve	Inch & Metric		96		
	Two-Bolt Flange Units	UCFL300	Set-Screw (wide)		Inch & Metric	97	
Four-Bolt Flange Units	UCF300	Set-Screw (wide)	Inch & Metric		98		
Piloted Four-Bolt Flange Units	UCFS300	Set-Screw (wide)	Metric		99		
Four-Bolt Flange Units	UGF300	Eccentric (wide)	Inch & Metric	100			

Description	Series #	Locking Style	Dimensional Unit of Measurement	Housing Material	Page	
HEAVY DUTY UNITS						
Four-Bolt Flange Units	UCF-U300	Set-Screw (wide)	Inch & Metric	Cast Iron	101	
Expansion Four-Bolt Flange Units	UCFE-U300		Inch & Metric		102	
Four-Bolt Flange Units	UGCJO300	Eccentric (wide)	Inch & Metric		103	
	UCCJO300	Set-Screw (wide)	Inch & Metric		104	
	UKF300+H	Adapter Sleeve	Inch & Metric		105	
Take-Up Units	UCT300	Set-Screw (wide)	Metric		106	
Cartridge Units	UCC300		Metric		107	
SILVER SERIES COMPLETE UNITS						
Pillow Block Units	UP000	Eccentric (extra narrow)	Metric	ZDC Alloy	109	
	KP000	Set-Screw (extra narrow)	Metric		109	
Two-Bolt Flange Units	UFL000	Eccentric (extra narrow)	Metric		110	
	KFL000	Set-Screw (extra narrow)	Metric		110	
Pillow Block Units	MUP000	Eccentric (extra narrow)	Metric	ZDC Alloy with Electroless Chromate Finish	109	
Two-Bolt Flange Units	MUFL000		Metric		110	
ALL BEARING INSERT UNITS						
Normal Duty Ball Bearings	UC200	Set-Screw (wide)	Inch	—	112	
	UCW200		Inch		112	
	UC200		Metric		113	
	UCW200		Metric		113	
	UR200	Eccentric (wide)	Inch & Metric		114	
	UG200		Inch & Metric		115	
	UGW200		Inch		115	
	B	Set-Screw (narrow)	Inch & Metric		116	
	BR		Inch & Metric		116	
	KH200	Eccentric (narrow)	Inch & Metric		117	
	KHR200		Inch & Metric		117	
	Cylindrical Normal Duty Ball Bearings	SER200	Set-Screw (wide)		Inch & Metric	118
	Normal Duty Ball Bearings	UK200+H	Adapter Sleeve		Inch & Metric	119
	Accu-Loc Ball Bearings	UE200	Concentric		Inch & Metric	120
Cylindrical Accu-Loc Ball Bearings	SUE200	Inch & Metric		121		
Medium Duty Ball Bearings	UCX00	Set-Screw (wide)	Inch & Metric	122		
	UKX00+H	Adapter Sleeve	Inch & Metric	123		
Heavy Duty Ball Bearings	UC300	Set-Screw (wide)	Inch & Metric	124		
	UG300	Eccentric (wide)	Inch & Metric	125		
	UK300+H	Adapter Sleeve	Inch & Metric	126		
Silver Series Ball Bearings	U000	Eccentric (narrow)	Metric	127		
	URE000		Inch	127		
	K000	Set-Screw (extra narrow)	Metric	127		
	MU000	Eccentric (extra narrow)	Metric	127		
FREE-SPINNING BEARINGS						
Free-Spinning Bearing Units					128	
HIGH-TEMPERATURE UNITS						
High Temperature Bearing Units					130	
TECHNICAL INFORMATION						
Materials					132	
Tolerances					133	
Bearing Mounting					134	
Recommended Tightening Torque					138	
Lubrication					139	
Load Capacity and Life of Bearings					141	
Accu-Loc vs. Set-Screws					143	
COMPANY INFORMATION						
Terms & Conditions of Sale					144	
Limited Warranty					145	
Literature Request					146	
Company Profile					147	

AMI Part #	Browning	Dodge	FYH	HUB CITY	INA	IPTCI	Link-Belt	MB	MRC/SKF	NTN	Sealmaster	Timken
PILLOW BLOCKS												
BLLP5-16				PB100x1						ASPB205-100		
BLP5-16	VSPL-116	P2B-VSCB-100	SBP205-16	PB100Lx1	PAKY1	SBP205-16	PL3-S216N				VPL-16	SAK1
BP5-16	VPS-116	P2B-VSC-100			PASEY1	SBP205-16					VP-16	SAS1
BPP5-16			SBPP205-16F	PB100Sx1	PBY1			PS251		ASPP205-100	SSP-16	
BPPL5-16MZ2CEW							KP-S216DC					
BPPL5-16MZ2CW							KP-S216D					
BPPL5-16MZ2W							KP-S216					
BPR5-16	SSRPS-116									ASRPP205-100		
BPW5-16	VPS-116M			PB150x1							LP-16	GPSD1
KHLLP205										AELPB205-100		
KHLP205-16	VPLE-116	P2B-SXVB-100		PB220x1	PAK1		PL3-W216U		SYH1FM	AELPL205-100	VPL-16	VAK1
KHP205-16	VPE-116	P2B-SXV-200		PB221x1	PASE1		P3-W216U		SY1FM	AELP205-100	VP-16E	VAS1
KHPP205-16	SSPE-116	P2B-SLX-100	SAPP205-16F		PB1				S1FM	AELPP205-100	SSP16E	PB1
KHPR205-16	SSRPE-116				RPB1				SR1FM	AELRPP205-100	LRP-16	RPB1
KHPW205-16	VPE-116M										LP-16E	
MUCP205-16	SPS-S216		UCSP205-16S6H1	PB251STWx1		SUCSP205-16			SPB100SS	F-UCPM205-100	CRPS-PN216	
MUCP205-16NP						SUCNPP205-16						
MUCPPL205-16CEW	CPS-S216 ECC			PB251CTWx1 CPCC					CPB100SS EC		CRPC-PN16 ECC	
MUCPPL205-16CW	CPS-S216 ECO			PB251CTWx1 CPOC							CRPC-PN16 ECO	
MUCPPL205-16W	CPS-S216		UCP205-16S6PL	PB251CTWx1		SUCTP205-16			CPB100SS	F-UCPR205-100D1	CRPC-PN16	
MUCPPWS205-16			UCPP205-16S6H1									
UCEP205-16		P2B-SCH-100-E									EMP-16	RAKHL1
UCLP205-16	VPLS-216	P2B-SCB-100	SL205-16	PB250Wx1	RAKY1	UCPL205-16	PL3-U216N	CL251	SYH1TF	UCPL205-100D1	NPL-16	YAK1
UCMP205-16MZ2		P2B-SCEZ-100-SH									BP-16	
UCP205-16	VPS-216	P2B-SC-100	UCP205-16	PB251Wx1	RASEY1	UCP205-16	P3-U216N	C251	SY1TF	UCP205-100D1	NP-16	YAS1
UCP205-16NPMZ2			UCP205-16S7Z5	PBW271WZ-1	RASEY1-FA125	CUCNPP205-16	WP3S216E	NC251	ZPB100ZM			YAS1NT
UCP305-16			UCP305-16							UCP305-100D1		
UCPEU306-19							PE-U319					
UCPH205-16			UCPH205-16							UCPH205-100D1		
UCPPL205-16MZ2CEW	CPS-Z216 ECC	P2B-SCEZ-100-PCR ECC							CPB100ZM EC			
UCPPL205-16MZ2CW	CPS-Z216 ECO	P2B-SCEZ-100-PCR ECO										
UCPPL205-16MZ2W	CPS-Z216	P2B-SCEZ-100-PCR				CUCTP205-16			CPB100ZM			YAS1PT
UCPPL205-16W	CPS-216	P2B-SCEZ-100-P									NP-16C-CR	
UCPU306-19							P-U319					
UCPX05-16	VPS-316	P2B-SCM-100	UCPX05-16	PB350x1		UCPX05-16		C-35-1	SYM1TF	UCPX05-100D1	MP-16	YASM1
UCSP205-16											SP-16	
UEL205											NPL205TM	
UEL205-16	VPLB-216	P2B-DLB-100							KCL-45-1		NPL-16T	
UEL205-16NP									NCL-25-1			
UEMP205-16MZ20		P2B-DLEZ-100SHCR									CRPS-PN16T	
UEP205											NP205TM	
UEP205-16	VPB-216	P2B-DL-100							KC-45-1		NP16-T	RASC1
UEP205-16NP									NC-25K-1			
UEPPL205-16MZ20W		P2B-DL-100-PCR									CRPC-PN16T	
UGAK205-16	VPLE-216	P2B-SXRB-100	NAPK205-16	PB220Wx1	RAK1	NAPL205-16			SYH1WF	UELPL205-100D1	RPL-16	RAK1
UGAKH205-16												RAKH1
UGAO307-23												RAO x 1-7/16
UGP205-16	VPE-216	P2B-SXR-100	NAP205-16	PB221Wx1	RASE1	NAP205-16	P3-Y216N		SY1WF	UEL205-100D1	RP-16E	RAS1
UGP305-16										UEL305-100D1		
UGPEU307-23							PE-Y339					
UGPU307-23							P-Y339					
UGSAO307-23							P2-U339					RSAOx2-7/16
UKP206+HE2306			UKP206+HE2306									

AMI Part #	Browning	Dodge	FYH	HUB CITY	INA	IPTCI	Link-Belt	MB	MRC/SKF	NTN	Sealmaster	Timken
TAPPED BASE												
KHSHE205					PSHE25-N							
MUCTB205-16			UCPAN205-16S6H1	TPB250STWx1		SUCSPA205-16				STB100SS		
MUCTB205-16NP						SUCNPPA205-16						
MUCTBL205-16CEW	CTBS-S216 ECC			TPB250CTWx1 CPCC								CRTBC-PN16 ECC
MUCTBL205-16CW	CTBS-S216 ECO			TPB250CTWx1 CPOC								CRTBC-PN16 ECO
MUCTBL205-16W	CTBS-S216		UCPAN205-16S6PL	TPB250CTWx1						CTB100SS		CRTBC-PN16 BTB-16
UCMTB205-16MZ2			UCPA205								UCUP205-D1	
UCPA205			UCPA205									
UCSHE205					RSHEY25-N							
UCTB205-16	VTBS-216	TB-SC-100	UCPAN205-16	TPB250Wx1	RSHEY1	UCPA205-16	PT3-U216N	TBC-25-1				TB-16
UCTB205-16NPMZ2						CUCNPPA205-16		NTBC-25-1		ZTB100ZM		STB1
UCTBL205-16MZ2CEW	CTBS-Z216 ECC	TB-SCEZ-100-PCR ECC										
UCTBL205-16MZ2CW	CTBS-Z216 ECO	TB-SCEZ-100-PCR ECO										
UCTBL205-16MZ2W	CTBS-Z216	TB-SCEZ-100-PCR								CTB100ZM		
UCTBL205-16W	CTBS-216	TB-SCEZ-100-P										TB-16C-CR TB205TMC
UEPA205												
UETB205-16	VTBB-216	TB-DL-100							KTBC-45-1			TB-16T
UETB205-16NP									NTBC-25-1			
UETBL205-16MZ20W		TB-DL-100-CR										CRTBC-PN16T
TAKE UP												
MUCNST205-16NP						SUCNPTRS205-16						
MUCNTPL205-16W			UCTRS205-16S6PL							CTN100SS		
MUCST205-16NP						SUCNPT205-16						
MUCT205-16			UCST205-16S6H1			SUCST205-16				STW100SS		
MUCTPL205-16W												
MUCWTPL205-16W			UCT205-16S6PL							CTW100SS		
UCMT205-16MZ2												BST-16
UCNST205-16			UCTRS205-16E	TU250Wx1								
UCNST205-16NPMZ2						CUCNPTRS205-16						
UCNTPL205-16MZ2W		NSTU-SCEZ-100-PCR								CTN100ZM		
UCST205-16	VTWS-216	WSTU-SC-100	UCT205-16E	WSTU250Wx1	RTUEY1	UCT205-16	TH3-U216N	TC-25-1		TYB1TF		ST-16
UCST205-16NPMZ2					RTUEY1-FA125	CUCNPT205-16	WTH3-S216E	NTC-25-1				YTU1
UCT205			UCT205								UCT205D1	YTU1NT
UCT305-16			UCT305-16									
UCTPL205-16MZ2W		WSTU-SCEZ-100-PCR					WTH-S216E					CRST-16
UCTX05-16	VTWS-316	WSTU-SCM-100	UCTX05-16E			UCTX05-16		TC-35-1		TBYM1TF	UCTX05-100D1	MST-16
UCWTPL205-16MZ2W		WSTU-SCEZ-100-PCR								CTW100ZM		ST-16C-CR
UENTPL205-16MZ20W		NSTU-DL-100-CR										
UEST205-16		WSTU-DL-100										ST-16T
UEST205-16NP								KTC-45-1				
UET205								NTC-25K1				ST205TMC
UEWTPL205-16MZ20W		WSTU-DL-100-PCR										ST-16TC-CR
BEARING INSERT												
B5-16	VS-116	INS-VSC-100	SB205-16	B250x1	GAY100-NPP-B-AS2/V	SB205-16G	SG216EL			AS205-100	L-16	YA100RRB
B5-16MZ2			SB205-16S7		GAY100-NPP-B-AS2V-FA125							
BR5-16	SLS-116					CSB205-16	SBG216EL	MSLN-16		ASS205-100	SL-16	
KH205-16	VE-116	INS-SXV-100	SA205-16F	B220x1	GRA100-NPP-B-AS2/V	SA205-16G	W216UL		YET205-100	AEL205-100	V-16E	RA100RRB
KHR205-16	SLE-116				RA100-NPP	CSA205-16	WB216UL			AELS205-100		
MB5-16			SB205-16S6									
MSER205-16			ER205-16S6			SSER205-16						
MUC205-16	VS-S216		UC205-16S6PL	B250TWx1		SUC205-16				F-UC205-100D1		
MUC205-16RF									RRH1100BRR			
SER205			ER205				ER205					ER-205

AMI Part #	Browning	Dodge	FYH	HUB CITY	INA	IPTCI	Link-Belt	MB	MRC/SKF	NTN	Sealmaster	Timken
SER205-16	VER-216		ER205-16			ER205-16	UBGL216NL	ER-16			ER-16	ER16
SER205-16FSX								ER-16-SFF			ERX-16 (LO, XLO)	
SER205FSX											ERX205 (LO, XLO)	
SUE205											ER-205TMC	
SUE205-16								ER-16K			ER-16T	
SUE205-16FSX								ER-16K-SFF			ERX-16T (LO, XLO)	
SUE205FSX											ERX205TM (LO, XLO)	
UC205											5205M	
UC205-16	VS-216	INS-SC-100	UC205-16	YW250x1	GY1100-KRR-B-AS2V	UC205-16	UG216NL	MB-25-1-PA	YAR205-100-2F	UC205-100D1	2-1	GY1100KRB
UC205-16AH	VS-216AH											
UC205-16MZ2		INS-SC-100CR		YWZ250x1		CUC205-16			RRZ1100BRR		CR-16	GY1100KRRBTDCCF
UC205-16MZ20		INS-SC-100-CR										
UC305-16			UC305-16							UC305-100D1		
UCX05-16	VS-316	INS-SCM-100	UCX05-16	B350x1		UCX05-16		MB-35-1-PA	YAR206-100-2F	UCX05-100D1	3-1	GYM1100KRRB
UE205											5205TMC	
UE205-16	VB-216	INS-DL-100						KMB-45-1-PA			2-1T	
UE205-16FSX											2-1T (LO, XLO)	
UE205-16MZ20		INS-DL-100-CR									2-1TCR	
UE205FSX											5205TM (LO, XLO)	
UG205-16	VE-216	INS-SXR-100	NA205-16	YW220x1	G1100-KRR-B-AS2V	NA205-16	YG216NL		YEL205-100-2F	UEL205-100D1	R-16E	G1100KRRB
UG307-23										UEL307-107D1		GN107KRRB
UK206+HE2306			UK206+HE2306							UK206D1+HE2306		
UK306+HE2306			UK306+HE2306									
UKX06+HE2306			UKX06+HE2306									
UR205-16							UBG216NL					
CARTRIDGE												
KHRRCSM205-16					RCSMB1							RCSM1
UCC205			UCC205							UCC205		
UCC305			UCC305							UCC305		
UCFCS205-16NPMZ2			UCFCF205-16S7Z5			CUCNPFCS205-16		NPFC4251				RFC1NT
UCLC205-16											SC-16	RC1
UEL205											SC205TMC	
UEL205-16											SC-16T	
2 BOLT FLANGE												
BFT205-16				FB260x1	PCJTY1							
BFX205-16	V2S-116M	LFT-SC-100		FB160x1			FX-W216U				LFT-16	VFTD1
BLCTE205-16					FLCTEY1					ASFD205-100		
BLF5-16MZ2W												
BLFL205-16			BLF205-16							ASFB205-100		
BNFL5-16MZ2CEW	CF2S-Z216 ECC	F2B-SCEZ-100-PCR ECC					KFX-S216DC		C2F100ZMEC		CRFTC-PN16 ECC	
BNFL5-16MZ2CW	CF2S-Z216 ECO	F2B-SCEZ-100-PCR ECO					KFX-S216D				CRFTC-PN16 ECO	
BNFL5-16MZ2W							KFX-S216					
BPFL205-16	SSF2S-116	F2B-SL-100	SBPFL205-16	FB110Sx1	RATY1			FPS2-25-1	FTP1	ASPFL205-100	SSFT-16	
KHFT205-16	VF2E-116	F2B-SXV-100	SAFL205-16	FB230x1	PCJT1	SAFL205-16	FX3-W216U		FYT1FM	AELFL205-100	VFT-16E	VCJT1
KHFX205-16	VF2E-116M	LFT-SXV-100				SALF205-16H4	FX-W216U				LFTE-16E	
KHLCTE205-16					FLCTE1					AELFD205-100		FLCT1
KHLFL205-16			ALF205-16			SALF205-16				AELFB205-100		
KHPFL205-16	SSF2E-116	F2B-SLX-100	SAPFL205-16		RAT1		52MST216		FT1FM	AELPFL205-100	SSFT-16E	RAT1
MBNFL205-16CEW	CF2S-S216 ECC			FB250CTWx1 CPOC					C2F100SSEC			
MBNFL205-16CW	CF2S-S216 ECO			FB250CTWx1 CPOC								
MUCFL205-16			UCSFL205-16S6H1	FB260STWx1		SUCSFL205-16			S2F100SS	F-UCFM205-100	CRFTS-PN16	
MUCFT205-16NP						SUCNPF205-16						
MUCNFL205-16W	CF2S-S216		UCFL205-16S6PL	FB250CTWx1					C2F100SS	F-UCFLR205-100D1	CRFTC-PN16	
PFL5							52MST-1					
PFT5							52MSTR-1					

AMI Part #	Browning	Dodge	FYH	HUB CITY	INA	IPTCI	Link-Belt	MB	MRC/SKF	NTN	Sealmaster	Timken
UCFA205-16			UCFA205-16		PSFT1					UCFA205-100D1		
UCFL205-16			UCFL205-16							UCFL205D1		
UCFL305-16			UCFL305-16							UCFL305-100D1		
UCFLX05-16	VF2S-316	F2B-SCM-100	UCFLX05-16			UCFLX05-16		FC2-35-1	FYTM1TF	UCFLX05-100D1	MSFT-16	YCJTM1
UCFT205-16	VF2S-216	F2B-SC-100	UCFL205-16	FB260Wx1	RCJTY1	UCFL205-16	FX3-U216N	FC2-25-1	FYTB1TR	UCFL205-100D1	SFT-16	YCJT1
UCFT205-16NPMZ2			UCFL205-16S7Z5	FB280HWZx1	RCJTY-FA125	CUCNPFL205-16	WFX3S216E WFX3-S216E	NFC2-25-1	Z2F100ZM			YCJT1NT
UCFT205-16TCMZ2		F2B-SCTC-100-CR									BFT-16	
UCMFL205-16MZ2		F2B-SCEZ-100-SH										
UCNFL205-16MZ2W	CF2S-Z216	F2B-SCEZ-100-PCR				CUCTFL205-16	KFX-S216E		C2F100ZM			YCJT1PT
UCNFL205-16W	CF2S-216	F2B-SCEZ-100-P									SFT-16C-CR SFT205TM SFT-16T	
UEFT205												
UEFT205-16	VF2B-216	F2B-DL-100						KFC2-45-1 NFC2-25K-1				
UEFT205-16NP												
UEFX205-16		LFT-DL-100										
UELFL205-16												
UEMFL205-16MZ20		F2B-DLEZ-100-SCHR									CRFTS-PN16T CRFTC-PN16T	
UENFL205-16MZ20W		F2B-DL-100-PCR									TFT-16T	
UETM205-16		LF-DL-100										
UGCJTZ205-16		F2BZ-SXR-100			RCJTZ1							
UGFJT205-16	VF2E-216	F2B-SXR-100	NANFL205-16	FB230Wx1	RCJT1	NANFL205-16			FYT1WM	UELFLU205-100D1	RFT-16E	RCJT1
UKFL206+HE2306			UKFL206+HE2306									
UKFL306+HE2306			UKFL306+HE2306									
UKFLX06+HE2306			UKFLX06+HE2306									
3 BOLT FLANGE												
BPF205-16	SSF3S-116	F3B-SL-100	SBPFF205-16	FB100Sx1	RAY1			FPS3-25-1		ASPF205-100	SSF-16	
BPFT205-16	SSF3TS-116				RATRY1			TFPS-25-1			TSSF-16 LF-16	
BTM205-16	VF3S-116M	LF-SC-100		FB150x1		SBRFB205-16	F-W216U					
KHPF205-16	SSF3E-116	F3B-SLX-100	SAPF205-16		RA1		52MSC216		F1FM	AELPF205-100	SSF-16E	RA1
KHPFT205-16	SSF3TE-100				RATR1		52MSTR216				TSSF-16E	RATR1
KHTM205-16	VF3E-116M	LF-SXV-100				SARFB205-16	F-W216U				LF-16E	VFD1
MBPFS5-16			UCPF205-16S6H1									
MBPFT5-16			UCPFT205-16S6H1									
MUCFB205-16			UCSFB205-16S6H1			SUCSFB205-16					CRFBS-PN16	
MUCFB205-16NP						SUCNPFB205-16						
MUCFBL205-16W			UCFB205-16S6PL			SUCTFB205-16			CBF100SS			
PF5-16							52MS-1					
UCFB205-16	VFB-216	FB-SC-100	UCFB205-16			UCFB205-16	FB3-U216N	MFB-25-1			FB-16	
UCFB205-16NPMZ2			UCFB205-16S7Z5			CUCNPFB205-16	WFB3S216E	NMFB-1				
UCFBL205-16MZ2CEW		FB-SCEZ-100-PCR ECC										
UCFBL205-16MZ2CW		FB-SCEZ-100-PCR ECO										
UCFBL205-16MZ2W		FB-SCEZ-100-PCR				CUCTFB205-16			CFB100ZM		CRFB-16	
UCFBL205-16W		FB-SCEZ-100-P									FB-16-CR	
UCFK205										UCFH205D1		
UEMFB205-16MZ2											CRFBS-PN16T FB16T	
UEFB205-16	VFBB-216	FB-DL-100						KMFB-45-1 NMFB-25-1				
UEFB205-16NP												
UEFBL205-16MZ20W		FB-DLEZ-100-PCR									FB-16TC-CR	
UEFK205											FB205TMC	
4 BOLT FLANGE												
BF205-16	VF4S-116	F4B-VSC-100	SBF205-16	FB250x1	PCJY1	SBF205-16	F3-S216N				VF-16	SCJ1
BFPL5-16MZ2CEW	CF4S-Z216 ECC	F4B-SCEZ-100-PCRECC					KF-S216DC		C4F100ZM EC		CRFC-PN16 ECC	
BFPL5-16MZ2CW	CF4S-Z216 ECO	F4B-SCEZ-100-PCRECO					KF-S216D				CRFC-PN16 ECO	
BPL5-16MZ2W							KF-S216					
KHF205-16	VF4S-116E	F4B-SXV-100	SAF205-16	FB220x1	PCJ1		F3-W216U		FY1FM	AELF205-100D1		VCJ1
MBFPL5-16CEW	CF4S-S216 ECC			FB250CTWx1 CPCC					C4F100SS EC			

AMI Part #	Browning	Dodge	FYH	HUB CITY	INA	IPTCI	Link-Belt	MB	MRC/SKF	NTN	Sealmaster	Timken
MBFPL5-16CW	CF4S-S216ECO			FB250CTWx1 CPOC								
MUCF205-16		F4B-SCEZ-100-SHCR	UCSF205-16S6H1	FB250STWx1					S4F100SS		CRFS-PN16	
MUCF205-16NP						SUCNPF205-16						
MUCFPL205-16W	CF4S-S216		UCF205-16S6PL	FB250CTWx1					C4F100SS		CRFC-PN16	
UCF205-16	VF4S-216	F4B-SC-100	UCF205-16E	FB250Wx1	RCJY1		F3-U216N	FC4-25-1	FY1TF	UCF205-100D1	SF-16	YCJ1
UCF205-16NPMZ2			UCF205-16S7Z5	FB270HWZx1	RCJY1-FA125	CUCNPF205-16	WF3S216E	NFC4-25-1	Z4F100ZM			YCJT1NT
UCF305-16			UCF305-16							UCF305-100D1		
UCFEU312-39							FE-U339					
UCFPL205-16MZ2W	CF4S-Z216	F4B-SCEZ-100-PCR							C4F100ZM			
UCFPL205-16W		F4B-SCEZ-100-P										
UCFS305			UCFS305							UCFS305D1		
UCFU312-39							F-U339					
UCFX05-16	VF4S-316	F4B-SCM-100	UCFX05-16E	FB350x1				FC4-35-1	FYM1TF	UCFX05-100D1	MSF-16	YCJM1
UCMF205-16MZ2		F4B-SCEZ-100-SH										
UEF205-16	VF4B-216	F4B-DL-100						KFC4-45-1			SF16T	
UEFPL205-16MZ20W		F4B-DLEZ-100-PCR									CRFC-PN16T	
UEMF205-16MZ20		F4B-DLEZ-100SHCR									CRFS-PN16T	
UGCJO312-39												RCJOx2-7/16
UGGFDR208-24												GRFD1-1/2
UGSLF205-16	VF4E-216	F4B-SXR-100	NANF205-16	FB220Wx1	RCJ1		F3-Y216N		FY1WF	UELF205-100D1	RF-16E	RCJ1
UKF206+HE2306			UKF206+HE2306							UKF206D1+HE2306		
UKF306+HE2306			UKF306+HE2306									
UKFX06+HE2306			UKFX06+HE2306									
FLANGE CARTRIDGE												
KHME205					PME25-N							
MUCFCS208-24NP						SUCNPFCS205-16						
UCFC205			UCFC205							UCFC205		
UCFCF205-16			UCFCF205-16									RFC1
UCFCS208-24	VFCS-224	FC-SC-108						PFC4-25-1			SFC-24	
UCFCS208-24NPMZ2						B/C UCNPFCS208-24		NPFC4-25-1-12				
UCFCSX05-16	VFCS-316	FC-SCM-100	UCFCX05-16E	FC350x1				PFC4-35-1			MFC-16	
UCFCX05-16			UCFCX05-16							UCFCX05-100D1		
UCME205					RMEY25-N							
UEFC208-24NP												
UEFCS208-24	VFCB-216	FC-DL-108						KPFC4-45-1-12			SFC-24T	
HANGER												
MUCECH205-16NP						SUCNPHA205-16						
MUCHPL205-16W			UCHA205-16S6PL									
UCHPL205-16MZ2			UCHA205-16S7PL									
UCECH205-16			UCHA205-16E2						MEHB-1	UCHB205-100D1	SEHB-16	RHC1 (Accu-loc.Style)
UCECH205-16NPMZ2						B/C UCNPHA205-16			NMEHB-1			
UEECH205-16		SCHB-DL-100										

Trademark and trade names used in this catalog are for reference purposes only and belong to the respective owners.

52100 Steel, Wide Inner Ring,
Spherical, Set-Screw

Flange 2-Bolt, Cast Iron

1-Inch Bore

Nickel-Plate

C (open cover)
CE (closed cover)

UCFT205-16 =	UC	FT	205-16	NP	C(CE)
(COMPLETE UNIT)	(BEARING)	(HOUSING)	(BORE SIZE)	(COATING)	(COVERS)

PROTECTION, COLORS & COVERS

MZ2	Zinc Bearing Insert
MZ20	Kanigen Bearing Insert
NP	Nickel-Plate (Copper Nickel Chrome)
W	White Thermoplastic Housing
B	Black Thermoplastic Housing
C	2 open covers
CE	1 closed cover and 1 open cover
BS	Back Seal

BEARING INSERTS

MB	440C Stainless, Narrow Inner Ring, Spherical OD, Set Screw
MSER	440C Stainless, Wide Inner Ring, Cylindrical w/Snap Ring, Set Screw
MUC	440C Stainless, Wide Inner Ring, Spherical OD, Set Screw
UC	52100 Steel, Wide Inner Ring, Spherical OD, Set Screw
UCW	52100 Steel, Wide Inner Ring, Spherical OD, Set Screw
UR	52100 Steel, Wide Inner Ring, Cylindrical OD, Set Screw
UE	Black Oxide, Wide Inner Ring, Spherical OD, Accu-Loc
SUE	Black Oxide, Wide Inner Ring, Cylindrical OD w/Snap Ring, Accu-Loc
UCX	52100 Steel, Medium Duty, Wide Inner Ring, Spherical OD, Set Screw
UG	52100 Steel, Wide Inner Ring, Spherical OD, Eccentric
UGW	52100 Steel, Wide Inner Ring, Spherical OD, Eccentric
B	52100 Steel, Narrow Inner Ring, Spherical OD, Set Screw
BR	52100 Steel, Narrow Inner Ring, Cylindrical OD, Set Screw
KH	52100 Steel, Narrow Inner Ring, Spherical OD, Eccentric
KHR	52100 Steel, Narrow Inner Ring, Cylindrical OD, Eccentric
SER	52100 Steel, Wide Inner Ring, Cylindrical OD w/snap Ring, Set Screw
UK	52100 Steel, Spherical OD, Adapter
K000	52100 Steel, Extra Narrow Inner Ring, Set Screw
U000	52100 Steel, Extra Narrow Inner Ring, Eccentric
MU000	Stainless Steel, Extra Narrow Inner Ring, Eccentric

SPECIAL BEARING INSERTS

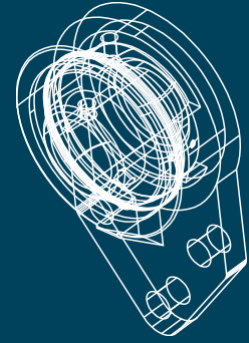
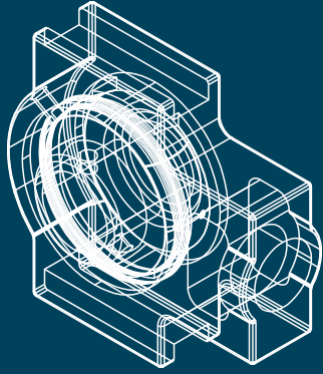
PAGD	Poly-Acetal Races with Glass Balls, Double Row, Wide Inner Ring, Spherical OD, Set Screw
PAGS	Poly-Acetal Races with Glass Balls, Double Row, Wide Inner Ring, Spherical OD, Set Screw
PAMD	Poly-Acetal Races with Stainless Balls, Double Row, Wide Inner Ring, Spherical OD, Set Screw
PAMS	Poly-Acetal Races with Stainless Balls, Double Row, Wide Inner Ring, Spherical OD, Set Screw
PAV	Poly-Acetal Races Sleeve/Bushing

SERIES

000	Extra Light Duty
200	Normal Duty
X00	Medium Duty
300	Heavy Duty

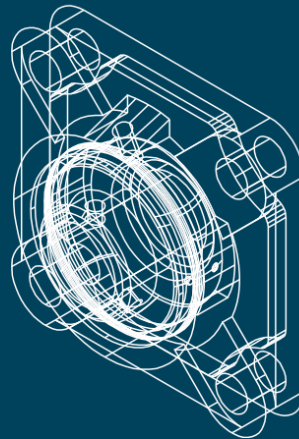
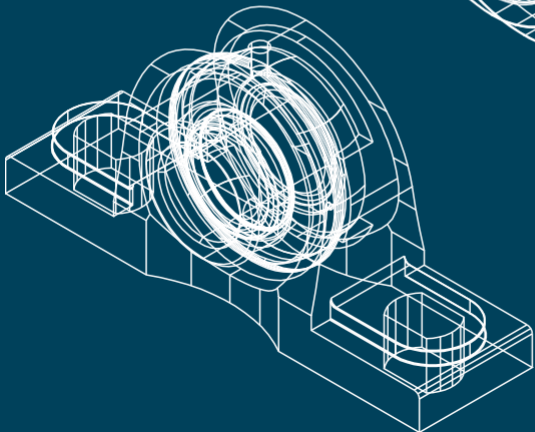
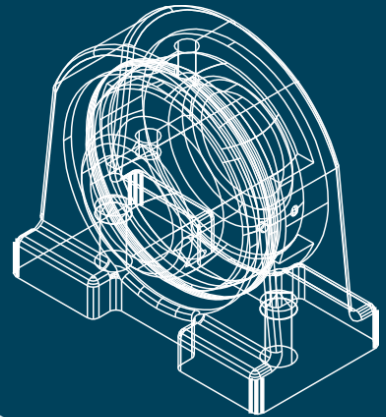
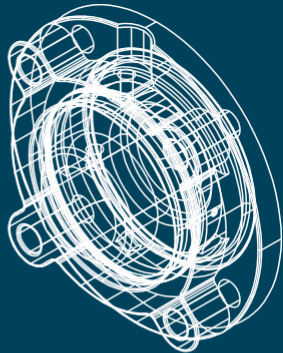
HOUSINGS

FT2	2 Bolt Flange, Gray Cast Iron
FL	2 Bolt Flange, Gray Cast Iron
FJT	2 Bolt Flange, Gray Cast Iron
CJTZ	Piloted 2 Bolt Flange, Gray Cast Iron
LFL	2 Bolt Flange, Gray Cast Iron
FX	2 Bolt Flange, Malleable Cast
LCTE	2 Bolt Flange, Malleable Cast
PFL	2 Bolt Flange, Pressed Steel
FA	2 Bolt Adjustable Flange, Gray Cast Iron
NFL	2 Bolt Flange, Thermoplastic
LF (204-205)	2 Bolt Flange, Thermoplastic, Round Bolt Hole
LX (204-205)	2 Bolt Flange, Thermoplastic, Square Bolt Hole
P20	Pillow Block, Gray Cast Iron
LP	Low Base Pillow Block, Gray Cast Iron
AK	Low Base Pillow Block, Gray Cast Iron
EP	Expansion Type Pillow Block, Gray Cast Iron
LLP	Pillow Block, Gray Cast Iron
PP	Pillow Block, Pressed Steel
PR	Rubber Cushioned Pillow Block, Pressed Steel
PW	Pillow Block, Malleable Cast
PPL	Pillow Block, Thermoplastic
TB	Tapped Base Pillow Block, Gray Cast Iron
PA	Tapped Base Pillow Block, Gray Cast Iron
TBL	Tapped Base, Thermoplastic
PH	Pedestal Base Pillow Block, Gray Cast Iron
FB	3 Bolt Flange Bracket, Gray Cast Iron
FK	3 Bolt Flange Bracket, Gray Cast Iron
TM	3 Bolt Flange, Malleable Cast
PF	3 Bolt Flange, Pressed Steel
PFT	3 Bolt Flange, Pressed Steel
FBL	3 Bolt Flange Bracket, Thermoplastic
F	4 Bolt Flange, Gray Cast Iron
LF	4 Bolt Flange, Gray Cast Iron
SLF	4 Bolt Flange, Gray Cast Iron
FPL	4 Bolt Flange, Thermoplastic
FC	Piloted Flange Cartridge, Gray Cast Iron
FCS	Piloted Flange Cartridge, Gray Cast Iron
FCF	Piloted Flange Cartridge, Gray Cast Iron
ST	Wide Slot Take-Up, Gray Cast Iron
T	Take-Up, Gray Cast Iron
NST	Narrow Slot Take-Up, Gray Cast Iron
TPL	Take Up, Standard Slot, Thermoplastic
WTPL	Take Up, Wide Slot, Thermoplastic
NTPL	Take Up, Narrow Slot, Thermoplastic
ECH	Hanger Bearing, Gray Cast Iron
HPL	Hanger, Thermoplastic
LC	Cartridge, Gray Cast Iron
C	Cartridge, Gray Cast Iron
PX00	Medium Duty Pillow Block, Gray Cast Iron
FLX	Medium Duty 2 Bolt Flange, Gray Cast Iron
FX00	Medium Duty 4 Bolt Flange, Gray Cast Iron
FCSX	Medium Duty Flange Cartridge, Gray Cast Iron
FCX	Medium Duty Flange Cartridge, Gray Cast Iron
TX00	Medium Duty Take-Up, Gray Cast Iron
P300	Heavy Duty Pillow Block, Gray Cast Iron
P-U	Heavy Duty Pillow Block, Gray Cast Iron
PE-U	Heavy Duty Expansion Pillow Block, Gray Cast Iron
AO	Heavy Duty Pillow Block, Gray Cast Iron
SAO	Heavy Duty Pillow Block, Gray Cast Iron
FL300	Heavy Duty 2 Bolt Flange, Gray Cast Iron
F300	Heavy Duty 4 Bolt Flange, Gray Cast Iron
FS	Heavy Duty 4 Bolt Flange with Pilot, Gray Cast Iron
CJO	Heavy Duty 4 Bolt Flange, Gray Cast Iron
T300	Heavy Duty Take-Up, Gray Cast Iron
C300	Heavy Duty Cartridge, Gray Cast Iron
P000	Silver Series, Pillow Block, Zinc Alloy
FL000	Silver Series, 2 Bolt Flange, Zinc Alloy
ME	Piloted Flange Cartridge, Gray Cast Iron
SHE	Tapped Base Pillow Block, Gray Cast Iron
RCSM	Cartridge, Rubber
SP	Pillow Block, Gray Cast Iron



AMI

Normal Duty



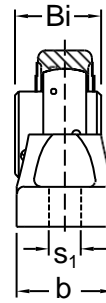
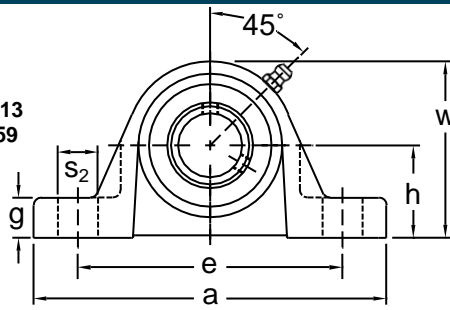


PILLOW BLOCKS

UCP 200

NORMAL DUTY

**Set-Screw Locking
Wide Inner Ring
Cast Iron Housing
Insert Detail-pg.112-113
Covers Available-pg.59
Inch and Metric**



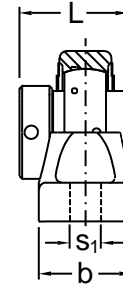
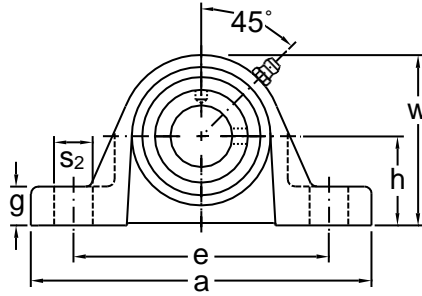
Shaft Diam. (in.)	AMI Unit #	List Price	Dimensions (in.)										Bolt Size (in.)	Bearing #	Housing #	Weight (lb.)	
			h	a	e		b	s1	s2	g	w	Bi					
1/2	UCP201-8		1-3/16	5	3-3/8	4-1/8	1-1/2	1/2	3/4	19/32	2-7/16	1.220	3/8	UC201-8	P203T	1.43	
5/8	UCP202-10													UC202-10		1.39	
11/16	UCP203-11													UC203-11		1.37	
3/4	UCP204-12		1-5/16	5	3-3/8	4-1/8	1-1/2	1/2	3/4	19/32	2-9/16	1.220	3/8	UC204-12	P204T	1.43	
7/8	UCP205-14													UC205-14			
15/16	UCP205-15		1-7/16	5-1/2	3-3/4	4-1/2	1-1/2	1/2	3/4	5/8	2-3/4	1.339	3/8	UC205-15	P205T	1.74	
1	UCP205-16													UC205-16			
1-1/16	UCP206-17													UC206-17			
1-1/8	UCP206-18		1-11/16	6-1/2	4-7/16	5-1/16	1-7/8	21/32	13/16	23/32	3-9/32	1.500	1/2	UC206-18	P206T	2.87	
1-3/16	UCP206-19													UC206-19			
1-1/4	UCP206-20													UC206-20			
1-1/4	UCP207-20													UC207-20			
1-5/16	UCP207-21		1-7/8	6-9/16	4-11/16	5-5/16	1-7/8	21/32	13/16	3/4	3-11/16	1.689	1/2	UC207-21	P207T	3.53	
1-3/8	UCP207-22													UC207-22			
1-7/16	UCP207-23													UC207-23			
1-1/2	UCP208-24													UC208-24			
1-9/16	UCP208-25		1-15/16	7-1/4	4-7/8	5-7/8	2-1/8	21/32	1	3/4	3-15/16	1.937	1/2	UC208-25	P208T	4.41	
1-1/2	UCP209-24													UCX08-24		5.07	
1-5/8	UCP209-26		2-1/8	7-1/2	5-3/8	6-1/8	2-1/8	21/32	7/8	25/32	4-1/4	1.937	1/2	UC209-26	P209T	5.35	
1-11/16	UCP209-27													UC209-27		5.35	
1-3/4	UCP209-28													UC209-28		5.35	
1-7/8	UCP210-30													UC210-30			
1-15/16	UCP210-31		2-1/4	8-1/8	5-7/8	6-5/8	2-3/8	25/32	1	7/8	4-1/2	2.031	5/8	UC210-31	P210T	5.95	
2	UCP210-32													UC210-32			
2	UCP211-32													UC211-32			
2-1/8	UCP211-34		2-1/2	8-5/8	6-3/8	7-1/8	2-3/8	25/32	1	7/8	4-31/32	2.189	5/8	UC211-34	P211T	7.27	
2-3/16	UCP211-35													UC211-35			
2-1/4	UCP212-36													UC212-36			
2-3/8	UCP212-38		2-3/4	9-1/2	6-7/8	7-5/8	2-3/4	25/32	1	1	5-7/16	2.563	5/8	UC212-38	P212T	10.36	
2-7/16	UCP212-39													UC212-39			
2-1/2	UCP213-40		3	10-7/16	7-19/32	8-13/32	2-3/4	1	1-5/32	1-1/16	5-29/32	2.563	3/4	UC213-40	P213T	12.34	
2-11/16	UCP214-43													UC214-43			
2-3/4	UCP214-44		3-1/8	10-1/2	7-25/32	8-23/32	2-13/16	1	1-7/32	1-1/16	6-5/32	2.937	3/4	UC214-44	P214T	16.09	
2-15/16	UCP215-47													UC215-47			
3	UCP215-48		3-1/4	10-13/16	8-1/32	8-31/32	2-15/16	1	1-7/32	1-3/32	6-13/32	3.063	3/4	UC215-48	P215T	17.41	
3-1/4	UCP217-52													UC217-52			
3-7/16	UCP217-55		3-3/4	12-3/16	9-9/32	10-7/32	3-1/4	1	1-7/32	1-1/4	7-3/8	3.374	3/4	UC217-55	P217	26.89	
3-1/2	UCP218-56		4	12-7/8	9-13/16	10-11/16	3-1/2	1-1/16	1-5/16	1-11/32	7-7/8	3.780	7/8	UC218-56	P218	32.40	
Dimensions (mm)																	
12	UCP201													UC201		1.45	
15	UCP202		30.2	127	86	105	38	13	19	15	62	31	M10	UC202	P203T	1.40	
17	UCP203													UC203		1.38	
20	UCP204		33.3	127	86	105	38	13	19	15	65	31	M10	UC204	P204T	1.45	
25	UCP205		36.5	140	95	114	38	13	19	16	70	34	M10	UC205	P205T	1.76	
30	UCP206		42.9	165	113	129	48	17	21	18	83	38.1	M14	UC206	P206T	2.90	
35	UCP207		47.6	167	119	135	48	17	21	19	94	42.9		UC207	P207T	3.57	
40	UCP208		49.2	184	124	149	54	17	25	19	100	49.2	M14	UC208	P208T	4.46	
45	UCP209		54	190	137	156	54	17	22	20	108	49.2		UC209	P209T	5.13	
50	UCP210		57.2	206	149	168	60	20	25	22	114	51.6		UC210	P210T	6.02	
55	UCP211		63.5	219	162	181	60	20	25	22	126	55.6	M16	UC211	P211T	7.36	
60	UCP212		69.8	241	175	194	70	20	25	25	138	65.1		UC212	P212T	10.5	
65	UCP213		76.2	265	193	214	70	25	29	27	150	65.1		UC213	P213T	12.5	
70	UCP214		79.4	266	198	222	72	25	31	27	156	74.6	M20	UC214	P214T	16.3	
75	UCP215		82.6	275	204	228	74	25	31	28	163	77.8		UC215	P215T	17.6	
80	UCP216		88.9	292	220	244	78	25	31	30	175	82.6	M20	UC216	P216	22.3	
85	UCP217		95.2	310	236	260	83	25	31	32	187	85.7	M20	UC217	P217	27.2	
90	UCP218		101.6	327	249	272	88	27	33	34	200	96	M22	UC218	P218	32.8	

Lubrication fitting tap size for 1" and smaller shaft sizes, 1/4-28 UNF; for all other sizes, 1/8-27 NPT

INTERCHANGES: VPS-2 P2B-SC YAS P3U-N SY-TF UCP NP



NORMAL DUTY



**Eccentric Locking
Wide Inner Ring
Cast Iron Housing
Insert Detail-pg.115
Inch and Metric**

Shaft Diam. (in.)	AMI Unit #	List Price	Dimensions (in.)											Bolt Size (in.)	Bearing #	Housing #	Weight (lb.)
			h	a	e		b	s1	S2	g	w	L					
3/4	UGP204-12		1-5/16	5	3-3/8	4-1/8	1-1/2	1/2	3/4	19/32	2-9/16	1-23/32	3/8	UG204-12	P204T	1.43	
7/8	UGP205-14													UG205-14			
15/16	UGP205-15		1-7/16	5-1/2	3-3/4	4-1/2	1-1/2	1/2	3/4	5/8	2-3/4	1-3/4	3/8	UG205-15	P205T	1.74	
1	UGP205-16													UG205-16			
1-1/8	UGP206-18													UG206-18			
1-3/16	UGP206-19		1-11/16	6-1/2	4-7/16	5-1/16	1-7/8	21/32	13/16	23/32	3-9/32	1-29/32	1/2	UG206-19	P206T	2.87	
1-1/4	UGP206-20													UG206-20			
1-1/4	UGP207-20													UG207-20			
1-5/16	UGP207-21		1-7/8	6-9/16	4-11/16	5-5/16	1-7/8	21/32	13/16	3/4	3-11/16	2-1/64	1/2	UG207-21	P207T	3.53	
1-3/8	UGP207-22													UG207-22			
1-7/16	UGP207-23													UG207-23			
1-1/2	UGP208-24		1-15/16	7-1/4	4-7/8	5-7/8	2-1/8	21/32	1	3/4	3-15/16	2-7/32	1/2	UG208-24	P208T	4.41	
1-9/16	*UGP208-25													UG208-25			
1-5/8	UGP209-26													UG209-26			
1-11/16	UGP209-27		2-1/8	7-1/2	5-3/8	6-1/8	2-1/8	21/32	7/8	25/32	4-1/4	2-7/32	1/2	UG209-27	P209T	5.07	
1-3/4	UGP209-28													UG209-28			
1-7/8	UGP210-30													UG210-30			
1-15/16	UGP210-31		2-1/4	8-1/8	5-7/8	6-5/8	2-3/8	25/32	1	7/8	4-1/2	2-15/32	5/8	UG210-31	P210T	5.95	
2	UGP210-32													UG210-32			
2	UGP211-32													UG211-32			
2-1/8	UGP211-34		2-1/2	8-5/8	6-3/8	7-1/8	2-3/8	25/32	1	7/8	4-31/32	2-13/16	5/8	UG211-34	P211T	7.27	
2-3/16	UGP211-35													UG211-35			
2-1/4	UGP212-36													UG212-36			
2-3/8	UGP212-38		2-3/4	9-1/2	6-7/8	7-5/8	2-3/4	25/32	1	1	5-7/16	3-1/16	5/8	UG212-38	P212T	10.36	
2-7/16	UGP212-39													UG212-39			
Dimensions (mm)																	
20	UGP204		33.3	127	86	105	38	13	19	15	65	43.7	M10	UG204	P204T	1.43	
25	UGP205		36.5	140	95	114	38	13	19	16	70	44.4	M10	UG205	P205T	1.74	
30	UGP206		42.9	165	113	129	48	17	21	18	83	48.4	M14	UG206	P206T	2.87	
35	UGP207		47.6	167	119	135	48	17	21	19	94	51.1		UG207	P207T	3.53	
40	UGP208		49.2	184	124	149	54	17	25	19	100	56.3	M14	UG208	P208T	4.41	
45	UGP209		54	190	137	156	54	17	22	20	108	56.3		UG209	P209T	5.07	
50	UGP210		57.2	206	149	168	60	20	25	22	114	62.7		UG210	P210T	5.95	
55	UGP211		63.5	219	162	181	60	20	25	22	126	71.4	M16	UG211	P211T	7.27	
60	UGP212		69.8	241	175	194	70	20	25	25	138	77.8		UG212	P212T	10.36	

*Consult factory for availability

Lubrication fitting tap size for 1" and smaller shaft sizes, 1/4-28 UNF; for all other sizes, 1/8-27 NPT

INTERCHANGES: VPE-2 P2B-SXR RAS P3Y-N SY-WF UELP RP-E

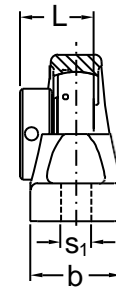
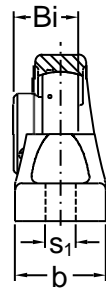
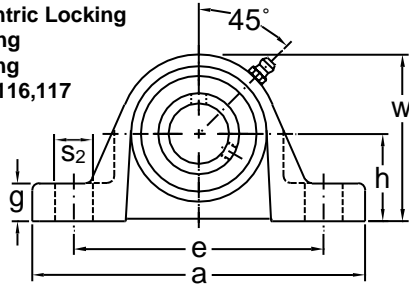


PILLOW BLOCKS

BP / KHP 200

NORMAL DUTY

**Set-Screw/Eccentric Locking
Narrow Inner Ring
Cast Iron Housing
Insert Detail-pg.116,117
Inch and Metric**



BP 200 Type
Set-Screw Locking

KHP 200 Type
Eccentric Collar Locking

Shaft Diam. (in.)	AMI Unit # Complete with B 200 Type	List Price	AMI Unit # Complete with KH 200 Type	List Price	Dimensions (in.)													Bolt Size (in.)	Bearing #		Housing Weight (lb.)
					h	a	e		h	s ₁	s ₂	r	w	RI	I	B	KH				
3/4	BP204-12		KHP204-12		1-5/16	5	3-3/8	4-1/8	1-1/2	1/2	3/4	19/32	2-9/16	0.972	1-7/32	3/8	B4-12	KH204-12	P204T	1.43	
7/8	BP205-14		KHP205-14		1-7/16	5-1/2	3-3/4	4-1/2	1-1/2	1/2	3/4	5/8	2-3/4	1.063	1-7/32	3/8	B5-14	KH205-14	P205T	1.76	
15/16	BP205-15		KHP205-15														B5-15	KH205-15			
1	BP205-16		KHP205-16														B5-16	KH205-16			
1-1/16	BP206-17		*KHP206-17		1-11/16	6-1/2	4-7/16	5-1/16	1-7/8	21/32	13/16	23/32	3-9/32	1.193	1-13/32	1/2	B6-17	KH206-17			
1-1/8	BP206-18		KHP206-18														B6-18	KH206-18			
1-3/16	BP206-19		KHP206-19														B6-19	KH206-19			
1-1/4	BP206-20		KHP206-20														B6-20	KH206-20			
1-1/4	BP207-20		KHP207-20		1-7/8	6-9/16	4-11/16	5-5/16	1-7/8	21/32	13/16	3/4	3-11/16	1.295	1-17/32	1/2	B7-20	KH207-20			
1-5/16	BP207-21		KHP207-21														B7-21	KH207-21			
1-3/8	BP207-22		KHP207-22														B7-22	KH207-22			
1-7/16	BP207-23		KHP207-23														B7-23	KH207-23			
1-1/2	BP208-24		KHP208-24		1-15/16	7-1/4	4-7/8	5-7/8	2-1/8	21/32	1	3/4	3-15/16	1.398	1-23/32	1/2	B8-24	KH208-24	P208T	4.41	
1-5/8	—		KHP209-26		2-1/8	7-1/2	5-3/8	6-1/8	2-1/8	21/32	7/8	25/32	4-1/4	—	1-23/32	1/2		KH209-26			
1-11/16			KHP209-27														B8-24	KH209-27			
1-3/4			KHP209-28																		
1-7/8	—		KHP210-30		2-1/4	8-1/8	5-7/8	6-5/8	2-3/8	25/32	1	7/8	4-1/2	—	1-23/32	5/8		KH210-30			
1-15/16			KHP210-31																		
2	—		KHP211-32		2-1/2	8-5/8	6-3/8	7-1/8	2-3/8	25/32	1	7/8	4-31/32	—	1-29/32	5/8		KH211-32			
2-1/8			KHP211-34																		
2-3/16			KHP211-35																		
Dimensions (mm)																					
20	BP204		KHP204		33.3	127	86	105	38	13	19	15	65	24.7	31	M10	B4	KH204	P204T	1.43	
25	BP205		KHP205		36.5	140	95	114	38	13	19	16	70	27	31	M10	B5	KH205	P205T	1.76	
30	BP206		KHP206		42.9	165	113	129	48	17	21	18	83	30.3	35.7	M14	B6	KH206	P206T	2.87	
35	BP207		KHP207		47.6	167	119	135	48	17	21	19	94	32.9	38.9		B7	KH207	P207T	3.55	
40	BP208		KHP208		49.2	184	124	149	54	17	25	19	100	35.5	43.7	M14	B8	KH208	P208T	4.41	
45	—		KHP209		54	190	137	156	54	17	22	20	108	—	43.7		—	KH209	P209T	5.02	
50	—		KHP210		57.2	206	149	168	60	20	25	22	114	—	43.7		—	KH210	P210T	5.88	
55	—		KHP211		63.5	219	162	181	60	20	25	22	126	—	48.7	M16	—	KH211	P211T	7.07	

*Consult factory for availability

Lubrication fitting tap size for 1" and smaller shaft sizes, 1/4-28 UNF; for all other sizes, 1/8-27 NPT

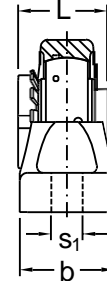
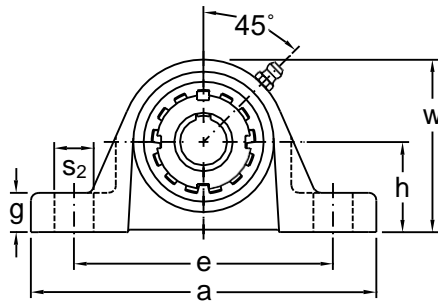
INTERCHANGES:	ASP	AELP	VPE-1	P2B-SXV	VAS	P3W-U	SY-FM	VP-E
----------------------	------------	-------------	--------------	----------------	------------	--------------	--------------	-------------

UKP 200+H

PILLOW BLOCKS



NORMAL DUTY



**Tapered Adapter Sleeve
Wide Inner Ring
Cast Iron Housing
Insert Detail-pg.119
Inch and Metric**

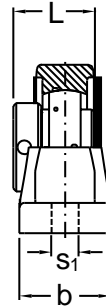
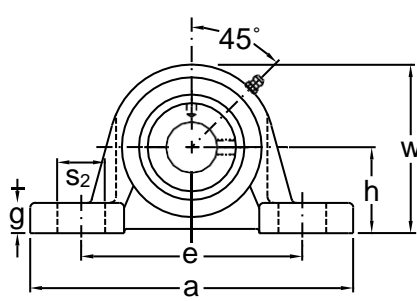
Shaft Diam. (in.)	AMI Unit #	List Price	Dimensions (in.)										Bolt Size (in.)	Bearing #	Housing #	Weight (lb.)
			h	a	e		b	s1	s2	g	w	L				
3/4	UKP205+HE2305		1-7/16	5-1/2	3-3/4	4-1/2	1-1/2	1/2	3/4	5/8	2-3/4	1.378	3/8	UK205+HE2305	P205T	1.85
13/16	UKP205+HA2305													UK205+HA2305		
7/8	UKP206+HS2306		1-11/16	6-1/2	4-7/16	5-1/16	1-7/8	21/32	13/16	23/32	3-9/32	1.496	1/2	UK206+HS2306	P206T	3.09
15/16	UKP206+HA2306													UK206+HA2306		
1	UKP206+HE2306													UK206+HE2306		
1-1/8	UKP207+HS2307		1-7/8	6-9/16	4-11/16	5-5/16	1-7/8	21/32	13/16	3/4	3-11/16	1.693	1/2	UK207+HS2307	P207T	3.53
1-3/16	UKP207+HA2307													UK207+HA2307		
1-1/4	UKP208+HE2308		1-15/16	7-1/4	4-7/8	5-7/8	2-1/8	21/32	1	3/4	3-15/16	1.811	1/2	UK208+HE2308	P208T	4.63
1-5/16	UKP208+HA2308													UK208+HA2308		
1-3/8	UKP208+HS2308													UK208+HS2308		
1-7/16	UKP209+HA2309		2-1/8	7-1/2	5-3/8	6-1/8	2-1/8	21/32	7/8	25/32	4-1/4	1.969	1/2	UK209+HA2309	P209T	5.29
1-1/2	UKP209+HE2309													UK209+HE2309		
1-5/8	UKP209+HS2309													UK209+HS2309		
1-11/16	UKP210+HA2310		2-1/4	8-1/8	5-7/8	6-5/8	2-3/8	25/32	1	7/8	4-1/2	2.165	5/8	UK210+HA2310	P210T	6.17
1-3/4	UKP210+HE2310													UK210+HE2310		
1-7/8	UKP211+HS2311		2-1/2	8-5/8	6-3/8	7-1/8	2-3/8	25/32	1	7/8	4-31/32	2.323	5/8	UK211+HS2311	P211T	7.49
1-15/16	UKP211+HA2311													UK211+HA2311		
2	UKP211+HE2311													UK211+HE2311		
2-1/16	UKP212+HA2312		2-3/4	9-1/2	6-7/8	7-5/8	2-3/4	25/32	1	1	5-7/16	2.441	5/8	UK212+HA2312	P212T	10.58
2-1/8	UKP212+HS2312													UK212+HS2312		
2-3/16	UKP213+HA2313		3	10-7/16	7-19/32	8-13/32	2-3/4	1	1-5/32	1-1/16	5-29/32	2.559	3/4	UK213+HA2313	P213T	12.56
2-1/4	UKP213+HE2313													UK213+HE2313		
2-3/8	UKP213+HS2313													UK213+HS2313		
2-7/16	UKP215+HA2315		3-1/4	10-13/16	8-1/32	8-31/32	2-15/16	1	1-7/32	1-3/32	6-13/32	2.874	3/4	UK215+HA2315	P215T	18.29
2-1/2	UKP215+HE2315													UK215+HE2315		
2-3/4	UKP216+HE2316		3-1/2	11-1/2	8-21/32	9-19/32	3-1/16	1	1-7/32	1-3/16	6-7/8	3.071	3/4	UK216+HE2316	P216	22.92
2-15/16	UKP217+HA2317		3-3/4	12-3/16	9-9/32	10-7/32	3-1/4	1	1-7/32	1-1/4	7-3/8	3.228	3/4	UK217+HA2317	P217	28.21
3	UKP217+HE2317													UK217+HE2317		
3-1/8	UKP218+HS2318		4	12-7/8	9-13/16	10-11/16	3-1/2	1-1/16	1-5/16	1-11/32	7-7/8	3.386	7/8	UK218+HS2318	P218	33.28
Dimensions (mm)																
20	UKP205+H2305		36.5	140	95	114	38	13	19	16	70	35	M10	UK205+H2305	P205T	1.85
25	UKP206+H2306		42.9	165	113	129	48	17	21	18	83	38	M14	UK206+H2306	P206T	3.09
30	UKP207+H2307		47.6	167	119	135	48	17	21	19	94	43	M14	UK207+H2307	P207T	3.53
35	UKP208+H2308		49.2	184	124	149	54	17	25	19	100	46	M14	UK208+H2308	P208T	4.63
40	UKP209+H2309		54	190	137	156	54	17	22	20	108	50	M14	UK209+H2309	P209T	5.29
45	UKP210+H2310		57.2	206	149	168	60	20	25	22	114	55	M16	UK210+H2310	P210T	6.17
50	UKP211+H2311		63.5	219	162	181	60	20	25	22	126	59	M16	UK211+H2311	P211T	7.49
55	UKP212+H2312		69.8	241	175	194	70	20	25	25	138	62	M16	UK212+H2312	P212T	10.58
60	UKP213+H2313		76.2	265	193	214	70	25	29	27	150	65	M20	UK213+H2313	P213T	12.56
65	UKP215+H2315		82.6	275	204	228	74	25	31	28	163	73	M20	UK215+H2315	P215T	18.29
70	UKP216+H2316		88.9	292	220	244	78	25	31	30	175	78	M20	UK216+H2316	P216	22.92
75	UKP217+H2317		95.2	310	236	260	83	25	31	32	187	82	M20	UK217+H2317	P217	28.21
80	UKP218+H2318		101.6	327	249	272	88	27	33	34	200	86	M22	UK218+H2318	P218	33.28

Lubrication fitting tap size for 1" and smaller shaft sizes, 1/4-28 UNF; for all other sizes, 1/8-27 NPT

INTERCHANGES: UKP



**Eccentric Locking
Wide Inner Ring
Cast Iron Housing
Insert Detail-pg.115
Inch and Metric**



Shaft Diam. (in.)	AMI Unit #	List Price	Dimensions (in.)										Bolt Size (in.)	Bearing #	Housing #	Weight (lb.)	
			h	a	e		b	s1	s2	g	w	L					
7/8	UGAKH205-14														UG205-14		
15/16	UGAKH205-15		1-3/4	6-1/4	4.141	5.109	2.000	0.591	0.984	0.709	3.500	1-3/4	1/2	UG205-15	AKH205	3.37	
1	UGAKH205-16													UG205-16			
1-1/8	UGAKH206-18													UG206-18			
1-3/16	UGAKH206-19		1-7/8	6-57/64	4.516	5.484	2.250	0.591	0.984	0.709	3.819	1-29/32	1/2	UG206-19	AKH206	4.6	
1-1/4	UGAKH206-20													UG206-20			
1-1/4	UGAKH207-20													UG207-20			
1-5/16	UGAKH207-21													UG207-21			
1-3/8	UGAKH207-22		2-1/8	8	4.788	6.150	2.250	0.669	1.181	0.748	4.173	2-1/64	1/2	UG207-22	AKH207	6.08	
1-7/16	UGAKH207-23													UG207-23			
1-1/2	UGAKH208-24													UG208-24			
1-9/16	*UGAKH208-25		2-5/16	8-3/4	5.500	6.750	2.598	0.669	1.250	0.787	4.567	2-7/32	5/8	UG208-25	AKH208	7.98	
1-5/8	UGAKH209-26													UG209-26			
1-11/16	UGAKH209-27		2-5/16	8-3/4	5.500	6.750	2.598	0.669	1.250	0.787	4.567	2-7/32	5/8	UG209-27	AKH209	7.82	
1-3/4	UGAKH209-28													UG209-28			
1-7/8	UGAKH210-30													UG210-30			
1-15/16	UGAKH210-31		2-1/2	9-1/2	5.918	7.582	2.875	0.669	1.457	0.866	5.079	2-15/32	5/8	UG210-31	AKH210	10.11	
2	UGAKH210-32													UG210-32			
2	UGAKH211-32													UG211-32			
2-1/8	UGAKH211-34		2-3/4	10-1/4	6.425	8.075	3.110	0.984	1.575	1.102	5.591	2-13/16	3/4	UG211-34	AKH211	13.86	
2-3/16	UGAKH211-35													UG211-35			
2-1/4	UGAKH212-36													UG212-36			
2-3/8	UGAKH212-38		3	11-1/4	7.156	9.594	3.250	1.024	1.969	1.102	6.339	3-1/16	3/4	UG212-38	AKH212	17.29	
2-7/16	UGAKH212-39													UG212-39			
Dimensions (mm)																	
25	UGAKH205		44.4	158	105	130	51	15	25	18	89	44.4	M14	UG205	AKH205	3.37	
30	UGAKH206		47.6	175	115	139	57	15	25	18	97	48.4		UG206	AKH206	4.60	
35	UGAKH207		54.0	203	122	156	57	17	30	19	106	51.1	M14	UG207	AKH207	6.08	
40	UGAKH208		58.7	222	140	172	66	17	32	20	116	56.3	M16	UG208	AKH208	7.98	
45	UGAKH209		58.7	222	140	172	66	17	32	20	116	56.3	M16	UG209	AKH209	7.82	
50	UGAKH210		63.5	241	150	193	73	17	37	22	129	62.7	M16	UG210	AKH210	10.11	
55	UGAKH211		69.8	260	163	205	79	25	40	28	142	71.4	M20	UG211	AKH211	13.86	
60	UGAKH212		76.2	286	182	244	82	26	50	28	161	77.8	M20	UG212	AKH212	17.29	

*Consult factory for availability

Lubrication fitting tap size for 1" and smaller shaft sizes, 1/4-28 UNF; for all other sizes, 1/8-27 NPT

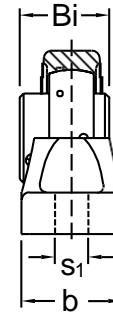
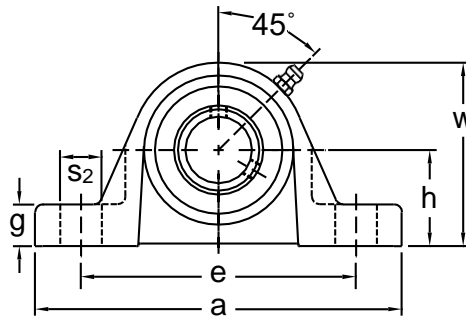
INTERCHANGES: RAKH

UCLP 200

LOW BASE PILLOW BLOCKS



NORMAL DUTY



**Set-Screw Locking
Wide Inner Ring
Cast Iron Housing
Low Shaft Height
Insert detail-pg.112-113
Covers Available-pg.59
Inch and Metric**

Shaft Diam. (in.)	AMI Unit #	List Price	Dimensions (in.)										Bolt Size (in.)	Bearing #	Housing #	Weight (lb.)	
			h	a	e		b	s1	s2	g	w	Bi					
1/2	UCLP201-8				Min.	Max.											
9/16	UCLP202-9		1-1/16	4-3/4	3-1/4	3-3/4	1-1/8	1/2	5/8	1/2	2-3/16	1.024	3/8	UCW201-8		1.10	
5/8	UCLP202-10													UCW202-9	LP203	1.08	
11/16	UCLP203-11													UCW202-10		1.08	
	UCLP203-11													UCW203-11		1.06	
3/4	UCLP204-12		1-1/4	5-1/4	3-1/2	4-1/4	1-1/4	1/2	3/4	1/2	2-9/16	1.220	3/8	UC204-12	LP204	1.48	
7/8	UCLP205-14													UC205-14			
15/16	UCLP205-15		1-5/16	5-1/2	3-3/4	4-1/2	1-1/2	1/2	3/4	5/8	2-11/16	1.339	3/8	UC205-15	LP205	1.76	
1	UCLP205-16													UC205-16			
1-1/16	UCLP206-17													UC206-17			
1-1/8	UCLP206-18		1-9/16	6-1/2	4-1/2	5-1/4	1-5/8	19/32	7/8	11/16	3-3/16	1.500	1/2	UC206-18	LP206	2.64	
1-3/16	UCLP206-19													UC206-19			
1-1/4	UCLP206-20													UC206-20			
1-1/4	UCLP207-20													UC207-20			
1-5/16	UCLP207-21		1-13/16	7	5	5-3/4	1-7/8	19/32	7/8	3/4	3-11/16	1.689	1/2	UC207-21	LP207	4.19	
1-3/8	UCLP207-22													UC207-22			
1-7/16	UCLP207-23													UC207-23			
1-1/2	UCLP208-24		1-15/16	7-1/4	5-1/4	6	2	19/32	7/8	13/16	3-15/16	1.937	1/2	UC208-24	LP208	4.85	
1-9/16	UCLP208-25													UC208-25			
1-5/8	UCLP209-26													UC209-26			
1-11/16	UCLP209-27		2-1/16	7-3/4	5-1/2	6-1/2	2-1/8	19/32	1	13/16	4-3/16	1.937	1/2	UC209-27	LP209	5.29	
1-3/4	UCLP209-28													UC209-28			
1-7/8	UCLP210-30													UC210-30			
1-15/16	UCLP210-31		2-3/16	8-3/8	6	7	2-1/4	19/32	1	7/8	4-7/16	2.031	1/2	UC210-31	LP210	6.39	
2	UCLP210-32													UC210-32			
2	UCLP211-32													UC211-32			
2-1/8	UCLP211-34		2-7/16	9-1/4	6-5/8	7-5/8	2-1/2	3/4	1-1/8	1	4-15/16	2.189	5/8	UC211-34	LP211	8.82	
2-3/16	UCLP211-35													UC211-35			
2-1/4	UCLP212-36													UC212-36			
2-3/8	UCLP212-38		2-11/16	9-3/4	7-1/8	8-1/8	2-3/4	3/4	1-1/8	1-1/8	5-7/16	2.563	5/8	UC212-38	LP212	11.68	
2-7/16	UCLP212-39													UC212-39			
2-1/2	UCLP213-40		2-11/16	9-3/4	7-1/8	8-1/8	2-3/4	3/4	1-1/8	1-1/8	5-7/16	2.563	5/8	UC213-40	LP213	11.24	
Dimensions (mm)																	
12	UCLP201													UCW201		1.10	
15	UCLP202		27	121	83	95	29	12	16	13	56	26	M10	UCW202	LP203	1.08	
17	UCLP203													UCW203		1.06	
20	UCLP204		31.8	133	89	108	32	12	19	13	65	31	M10	UC204	LP204	1.48	
25	UCLP205		33.3	140	95	114	38	12	19	16	68	34	M10	UC205	LP205	1.76	
30	UCLP206		39.7	165	114	133	41	15	22	17	81	38.1	M12	UC206	LP206	2.64	
35	UCLP207		46	178	127	146	48	15	22	19	94	42.9		UC207	LP207	4.19	
40	UCLP208		49.2	184	133	152	51	15	22	21	100	49.2	M12	UC208	LP208	4.85	
45	UCLP209		52.4	197	140	165	54	15	25	21	106	49.2		UC209	LP209	5.29	
50	UCLP210		55.6	213	152	178	57	15	25	22	113	51.6	M12	UC210	LP210	6.39	
55	UCLP211		61.9	235	168	194	64	19	29	25	125	55.6	M16	UC211	LP211	8.82	
60	UCLP212		68.3	248	181	206	70	19	29	29	138	65.1	M16	UC212	LP212	11.68	
65	UCLP213		68.3	248	181	206	70	19	29	29	138	65.1	M16	UC213	LP213	11.24	

Lubrication fitting tap size for 1" and smaller shaft sizes, 1/4-28 UNF; for all other sizes, 1/8-27 NPT

INTERCHANGES: VPLS-2 P2B-SCB YAK PL3U-N CL25 SYH-TF UCLP NPL

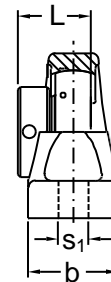
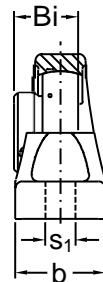
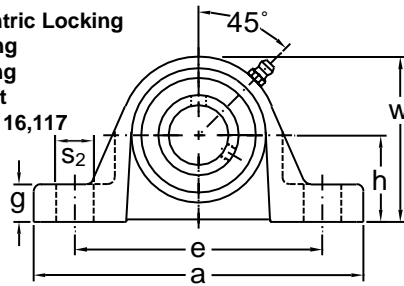


LOW BASE PILLOW BLOCKS

BLP / KHLP 200

NORMAL DUTY

Set-Screw/Eccentric Locking
Narrow Inner Ring
Cast Iron Housing
Low Shaft Height
Insert Detail-pg.116,117
Inch and Metric



BLP 200 Type
Set-Screw Locking

KHLP 200 Type
Eccentric Collar Locking



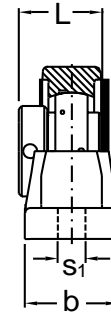
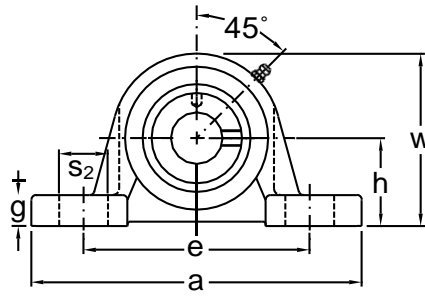
Shaft Diam. (in.)	AMI Unit # Complete with B 200 Type	List Price	AMI Unit # Complete with KH 200 Type	List Price	Dimensions (in.)											Bolt Size (in.)	Bearing #		Housing #	Weight (lb.)
					h	a	e		b	s1	s2	g	w	Bi	L		B	KH		
1/2	BLP201-8		KHLP201-8		1-1/16	4-3/4	3-1/4	3-3/4	1-1/8	1/2	5/8	1/2	2-3/16	0.866	1-1/8	3/8	B1-8	KH201-8	LP203	0.90
5/8	BLP202-10		KHLP202-10														B2-10	KH202-10		
3/4	BLP204-12		KHLP204-12		1-1/4	5-1/4	3-1/2	4-1/4	1-1/4	1/2	3/4	1/2	2-9/16	0.972	1-7/32	3/8	B4-12	KH204-12	LP204	1.48
7/8	BLP205-14		KHLP205-14														B5-14	KH205-14		
15/16	BLP205-15		KHLP205-15		1-5/16	5-1/2	3-3/4	4-1/2	1-1/2	1/2	3/4	5/8	2-11/16	1.063	1-7/32	3/8	B5-15	KH205-15	LP205	1.74
1	BLP205-16		KHLP205-16														B5-16	KH205-16		
1-1/16	BLP206-17		—														B6-17	—		
1-1/8	BLP206-18		KHLP206-18														B6-18	KH206-18	LP206	2.64
1-3/16	BLP206-19		KHLP206-19		1-9/16	6-1/2	4-1/2	5-1/4	1-5/8	19/32	7/8	11/16	3-3/16	1.193	1-13/32	1/2	B6-19	KH206-19		
1-1/4	BLP206-20		KHLP206-20														B6-20	KH206-20		
1-1/4	BLP207-20		KHLP207-20														B7-20	KH207-20		
1-5/16	BLP207-21		KHLP207-21														B7-21	KH207-21	LP207	4.21
1-3/8	BLP207-22		KHLP207-22		1-13/16	7	5	5-3/4	1-7/8	19/32	7/8	3/4	3-11/16	1.295	1-17/32	1/2	B7-22	KH207-22		
1-7/16	BLP207-23		KHLP207-23														B7-23	KH207-23		
1-1/2	BLP208-24		KHLP208-24		1-15/16	7-1/4	5-1/4	6	2	19/32	7/8	13/16	3-15/16	1.398	1-23/32	1/2	B8-24	KH208-24	LP208	4.85
1-5/8	—		KHLP209-26															KH209-26		
1-11/16	—		KHLP209-27		2-1/16	7-3/4	5-1/2	6-1/2	2-1/8	19/32	1	13/16	4-3/16	—	1-23/32	1/2	—	KH209-27	LP209	5.24
1-3/4	—		KHLP209-28														—	KH209-28		
1-7/8	—		KHLP210-30														—	KH210-30	LP210	6.32
1-15/16	—		KHLP210-31		2-3/16	8-3/8	6	7	2-1/4	19/32	1	7/8	4-7/16	—	1-23/32	1/2	—	KH210-31		
2	—		KHLP211-32														—	KH211-32		
2-1/8	—		KHLP211-34		2-7/16	9-1/4	6-5/8	7-5/8	2-1/2	3/4	1-1/8	1	4-15/16	—	1-29/32	5/8	—	KH211-34	LP211	8.62
2-3/16	—		KHLP211-35														—	KH211-35		
Dimensions (mm)																				
12	BLP201		KHLP201		27	121	83	95	29	12	16	13	56	22	28.6	M10	B1	KH201	LP203	0.90
15	BLP202		KHLP202														B2	KH202		0.89
17	BLP203		KHLP203														B3	KH203		0.88
20	BLP204		KHLP204		31.8	133	89	108	32	12	19	13	65	24.7	31	M10	B4	KH204	LP204	1.48
25	BLP205		KHLP205		33.3	140	95	114	38	12	19	16	68	27	31	M10	B5	KH205	LP205	1.74
30	BLP206		KHLP206		39.7	165	114	133	41	15	22	17	81	30.3	35.7	M12	B6	KH206	LP206	2.64
35	BLP207		KHLP207		46	178	127	146	48	15	22	19	94	32.9	38.9		B7	KH207	LP207	4.21
40	BLP208		KHLP208		49.2	184	133	152	51	15	22	21	100	35.5	43.7	M12	B8	KH208	LP208	4.85
45	—		KHLP209		52.4	197	140	165	54	15	25	21	106	—	43.7		—	KH209	LP209	5.24
50	—		KHLP210		55.6	213	152	178	57	15	25	22	113	—	43.7	M12	—	KH210	LP210	6.32
55	—		KHLP211		61.9	235	168	194	64	19	29	25	125	—	48.7	M16	—	KH211	LP211	8.62

Lubrication fitting tap size for 1" and smaller shaft sizes, 1/4-28 UNF; for all other sizes, 1/8-27 NPT

INTERCHANGES: VPLE-1 | P2B-SXVB | VAK | PL3W-U | SYH-FM | AELPL | VPL



NORMAL DUTY



Eccentric Locking
Wide Inner Ring
Cast Iron Housing
Low Shaft Height
Insert Detail-pg.115
Inch and Metric

Shaft Diam. (in.)	AMI Unit #	List Price	Dimensions (in.)										Bolt Size (in.)	Bearing #	Housing #	Weight (lb.)
			h	a	e		b	s1	s2	g	w	L				
1/2	UGAK201-8		1-1/16	4-3/4	3-1/4	3-3/4	1-3/8	1/2	5/8	1/2	2-1/8	1-15/32	3/8	UGW201-8	AK203	1.21
5/8	UGAK202-10		1-1/4	5-1/4	3-5/8	4-1/8	1-5/8	1/2	5/8	9/16	2-1/2	1-23/32	3/8	UGW202-10	AK204	1.98
3/4	UGAK204-12		1-5/16	5-1/2	3-7/8	4-3/8	1-3/4	1/2	5/8	5/8	2-11/16	1-3/4	3/8	UG204-12	AK205	2.42
7/8	UGAK205-14		1-9/16	6-5/16	4-1/2	5	1-7/8	19/32	3/4	11/16	3-5/32	1-29/32	1/2	UG205-14	AK206	3.09
15/16	UGAK205-15		1-13/16	6-9/16	4-3/4	5-1/4	1-7/8	19/32	3/4	3/4	3-5/8	2-1/64	1/2	UG205-15	AK207	4.19
1	UGAK205-16		1-15/16	7-1/8	5-1/4	5-3/4	2-1/8	19/32	3/4	3/4	3-15/16	2-7/32	1/2	UG205-16	AK208	4.85
1-1/8	UGAK206-18		2-1/16	7-1/2	5-1/2	6	2-1/8	19/32	3/4	13/16	4-3/16	2-7/32	1/2	UG206-18	AK209	5.73
1-3/16	UGAK206-19		2-3/16	8	6	6-1/2	2-1/4	19/32	3/4	7/8	4-7/16	2-15/32	1/2	UG206-19	AK210	6.83
1-1/4	UGAK206-20		2-7/16	9-1/8	6-13/16	7-7/16	2-3/8	25/32	15/16	1	4-29/32	2-13/16	5/8	UG206-20	AK211	9.26
1-1/4	UGAK207-20		2-11/16	9-1/2	7-3/16	7-13/16	2-1/2	25/32	15/16	1-1/8	5-3/8	3-1/16	5/8	UG207-20	AK212	11.68
1-5/16	UGAK207-21													UG207-21		
1-3/8	UGAK207-22													UG207-22		
1-7/16	UGAK207-23													UG207-23		
1-1/2	UGAK208-24													UG208-24		
1-5/8	UGAK209-26													UG209-26		
1-11/16	UGAK209-27													UG209-27		
1-3/4	UGAK209-28													UG209-28		
1-7/8	UGAK210-30													UG210-30		
1-15/16	UGAK210-31													UG210-31		
2	UGAK210-32													UG210-32		
2	UGAK211-32													UG211-32		
2-1/8	UGAK211-34													UG211-34		
2-3/16	UGAK211-35													UG211-35		
2-1/4	UGAK212-36													UG212-36		
2-3/8	UGAK212-38													UG212-38		
2-7/16	UGAK212-39													UG212-39		
Dimensions (mm)																
20	UGAK204		31.8	133	92	105	41	12	16	14.3	64	43.7	M10	UG204	AK204	1.98
25	UGAK205		33.3	140	98	111	45	12	16	16	68	44.4	M10	UG205	AK205	2.42
30	UGAK206		39.7	160	114	127	48	15	19	17	80	48.4	M12	UG206	AK206	3.09
35	UGAK207		46	167	121	133	48	15	19	19	92	51.1		UG207	AK207	4.19
40	UGAK208		49.2	181	133	146	54	15	19	19	100	56.3	M12	UG208	AK208	4.85
45	UGAK209		52.4	190	140	152	54	15	19	21	106	56.3		UG209	AK209	5.73
50	UGAK210		55.6	203	152	165	57	15	19	22	113	62.7	M12	UG210	AK210	6.83
55	UGAK211		61.9	232	173	189	60	20	24	25	125	71.4	M16	UG211	AK211	9.26
60	UGAK212		68.3	241	183	198	64	20	24	29	138	77.8	M16	UG212	AK212	11.68

Lubrication fitting tap size for 1" and smaller shaft sizes, 1/4-28 UNF; for all other sizes, 1/8-27 NPT

INTERCHANGES: VPLE-2 P2B-SXRB RAK PL3Y-L SYH-WF UELPL RPL

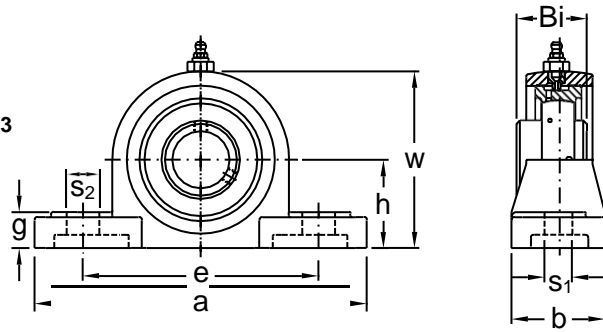


EXPANSION PILLOW BLOCKS

UCEP 200

NORMAL DUTY

**Set-Screw Locking
Wide Inner Ring
Cast Iron Housing
Expansion Type
Insert Detail-pg.112-113
Inch and Metric**



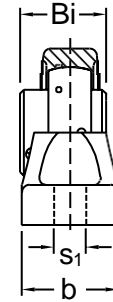
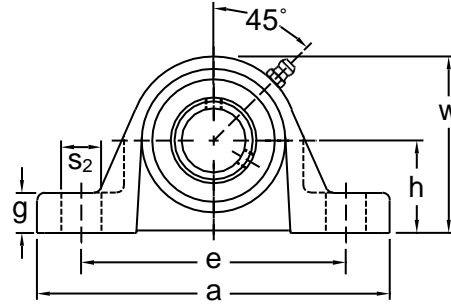
Shaft Diam. (in.)	AMI Unit #	List Price	Dimensions (in.)										Bolt Size (in.)	Bearing #	Housing #	Weight (lb.)		
			h	a	e Min.	e Max.	b	s1	s2	g	w	Bi						
7/8	UCEP205-14																	
15/16	UCEP205-15		1-3/4	6-1/4	4-13/32	4-31/32	2	21/32	25/32	23/32	3-11/32	1.339	1/2	UC205-14	EP205	3.30		
1	UCEP205-16													UC205-15				
														UC205-16				
1-1/16	UCEP206-17													UC206-17				
1-1/8	UCEP206-18		1-7/8	6-7/8	4-23/32	5-9/32	2-1/4	21/32	25/32	25/32	3-11/16	1.500	1/2	UC206-18	EP206	4.40		
1-3/16	UCEP206-19													UC206-19				
1-1/4	UCEP206-20													UC206-20				
1-1/4	UCEP207-20													UC207-20				
1-5/16	UCEP207-21		2-1/8	8	5-13/32	5-31/32	2-1/4	21/32	25/32	7/8	4-1/4	1.689	1/2	UC207-21	EP207	5.94		
1-3/8	UCEP207-22													UC207-22				
1-7/16	UCEP207-23													UC207-23				
1-1/2	UCEP208-24		2-5/16	8-3/4	5-13/16	6-7/16	2-5/8	25/32	15/16	1-1/32	4-9/16	1.937	5/8	UC208-24	EP208	7.70		
1-5/8	UCEP209-26													UC209-26				
1-11/16	UCEP209-27		2-5/16	8-3/4	5-13/16	6-7/16	2-5/8	25/32	15/16	1-1/32	4-9/16	1.937	5/8	UC209-27	EP209	7.48		
1-3/4	UCEP209-28													UC209-28				
1-7/8	UCEP210-30													UC210-30				
1-15/16	UCEP210-31		2-1/2	9-1/2	6-11/32	7-5/32	2-7/8	25/32	1-1/32	1-1/16	4-31/32	2.031	5/8	UC210-31	EP210	9.02		
2	UCEP210-32													UC210-32				
	UCEP211-32													UC211-32				
2-1/8	UCEP211-34		2-3/4	10-1/4	6-29/32	7-19/32	3-1/8	1	1-3/32	1-3/16	5-15/32	2.189	3/4	UC211-34	EP211	12.32		
2-3/16	UCEP211-35													UC211-35				
	UCEP212-36													UC212-36				
2-1/4	UCEP212-38		3	11-1/4	7-9/16	8-7/16	3-1/4	1	1-3/16	1-1/4	5-15/16	2.563	3/4	UC212-38	EP212	15.62		
2-3/8	UCEP212-39													UC212-39				
2-7/16	UCEP213-40		3	11-1/4	7-9/16	8-7/16	3-1/4	1	1-3/16	1-1/4	6-1/16	2.563	3/4	UC213-40	EP213	15.40		
2-1/2	UCEP214-43													UC214-43				
2-11/16	UCEP214-44		3-1/2	13	8-21/32	9-11/32	3-1/2	1-1/16	1-7/32	1-3/8	6-31/32	2.937	7/8	UC214-44	EP214	23.76		
2-3/4	UCEP215-47													UC215-47				
2-15/16	UCEP215-48		3-1/2	13	8-21/32	9-11/32	3-1/2	1-1/16	1-7/32	1-3/8	6-31/32	3.063	7/8	UC215-48	EP215	23.98		
3	UCEP217-52													UC217-52				
3-1/4	UCEP217-55		4	15	10-7/16	11-13/16	4	1-1/16	1-9/16	1-21/32	8-1/16	3.374	7/8	UC217-55	EP217	36.08		
3-7/16																		
Dimensions (mm)																		
25	UCEP205		44.4	159	112	126	51	17	20	18	85	34	M14	UC205	EP205	3.30		
30	UCEP206		47.6	175	120	134	57	17	20	20	94	38.1		UC206	EP206	4.40		
35	UCEP207		54	203	137	152	57	17	20	22	108	42.9	M14	UC207	EP207	5.94		
40	UCEP208		58.7	222	148	164	67	20	24	26	116	49.2	M16	UC208	EP208	7.70		
45	UCEP209		58.7	222	148	164	67	20	24	26	116	49.2	M16	UC209	EP209	7.48		
50	UCEP210		63.5	241	161	182	73	20	26	27	126	51.6	M16	UC210	EP210	9.02		
55	UCEP211		69.8	260	175	193	79	25	28	30	139	55.6	M20	UC211	EP211	12.32		
60	UCEP212		76.2	286	192	214	83	25	30	32	151	65.1	M20	UC212	EP212	15.62		
65	UCEP213		76.2	286	192	214	83	25	30	32	154	65.1	M20	UC213	EP213	15.40		
70	UCEP214		88.9	330	220	237	89	27	31	35	177	74.6	M22	UC214	EP214	23.76		
75	UCEP215		88.9	330	220	237	89	27	31	35	177	77.8	M22	UC215	EP215	23.98		
80	UCEP216		101.6	381	265	300	102	27	40	42	205	82.6	M22	UC216	EP216	37.62		
85	UCEP217		101.6	381	265	300	102	27	40	42	205	85.7	M22	UC217	EP217	36.08		

Lubrication fitting tap size for 1" and smaller shaft sizes, 1/4-28 UNF; for all other sizes, 1/8-27 NPT

INTERCHANGES: P2B-SCH-E RAKHL EMP



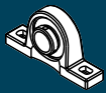
Set-Screw Locking
Wide Inner Ring
Cast Iron Housing
Insert detail-pg.112-113
Inch and Metric



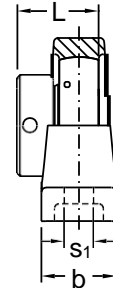
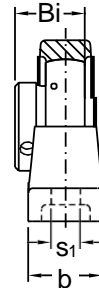
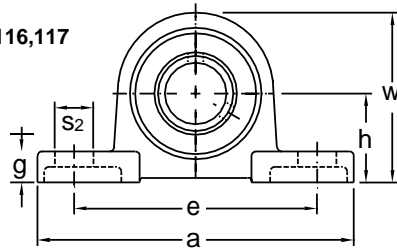
Shaft Diam. (in.)	AMI Unit #	List Price	Dimensions (in.)										Bolt Size (in.)	Bearing #	Housing #	Weight (lb.)	
			h	a	e		b	s ₁	s ₂	g	w	Bi					
7/8	UCSP205-14																
15/16	UCSP205-15		1-3/4	7	5-1/8	5-5/8	2	9/16	3/4	9/16	3-5/16	1.339	1/2	UC205-14	SP205	4.00	
1	UCSP205-16													UC205-15			
														UC205-16			
1-1/16	UCSP206-17													UC206-17			
1-1/8	UCSP206-18		2	7-1/2	5-3/8	6-1/8	2	9/16	7/8	5/8	3-7/8	1.500	1/2	UC206-18	SP206	5.80	
1-3/16	UCSP206-19													UC206-19			
1-1/4	UCSP206-20													UC206-20			
1-1/4	UCSP207-20													UC207-20			
1-5/16	UCSP207-21		2-3/8	8-1/4	5-5/8	6-7/8	2-1/4	3/4	1-1/4	3/4	4-1/2	1.689	5/8	UC207-21	SP207	7.40	
1-3/8	UCSP207-22													UC207-22			
1-7/16	UCSP207-23													UC207-23			
1-1/2	UCSP208-24		2-5/16	8-1/2	5-7/8	7-1/8	2-3/8	3/4	1-1/4	3/4	4-9/16	1.937	5/8	UC208-24	SP208	7.60	
1-9/16	UCSP208-25													UC208-25			
1-5/8	UCSP209-26		2-3/8	8-3/4	5-7/8	7-1/8	2-3/8	3/4	1-1/4	3/4	4-5/8	1.937	5/8	UC209-26	SP209	8.00	
1-11/16	UCSP209-27													UC209-27			
1-3/4	UCSP209-28													UC209-28			
1-7/8	UCSP210-30		2-3/4	10-1/2	6-3/4	8-1/2	2-1/2	3/4	1-1/2	7/8	5-5/16	2.031	5/8	UC210-30	SP210	11.60	
1-15/16	UCSP210-31													UC210-31			
2	UCSP210-32													UC210-32			
2	UCSP211-32		3-1/8	11-1/4	7-5/8	9-3/8	2-3/4	3/4	1-1/2	7/8	5-15/16	2.189	5/8	UC211-32	SP211	14.60	
2-1/8	UCSP211-34													UC211-34			
2-3/16	UCSP211-35													UC211-35			
2-1/4	UCSP212-36		3-1/8	11-1/2	7-7/8	9-3/8	3	7/8	1-1/2	7/8	6-1/16	2.563	3/4	UC212-36	SP212	16.00	
2-3/8	UCSP212-38													UC212-38			
2-7/16	UCSP212-39													UC212-39			
2-1/2	UCSP213-40		3-3/4	12-5/8	9-3/8	10-5/8	3-3/8	7/8	1-3/8	1	7-1/8	2.563	3/4	UC213-40	SP213	20.40	
2-11/16	UCSP214-43		3-3/4	12-5/8	9-3/8	10-5/8	3-3/8	7/8	1-3/8	1	7-1/8	2.937	3/4	UC214-43	SP214	20.90	
2-3/4	UCSP214-44													UC214-44			
2-15/16	UCSP215-47		3-3/4	13	9-1/4	10-3/4	3-3/8	7/8	1-1/2	1	7-3/16	3.063	3/4	UC215-47	SP215	23.80	
3	UCSP216-48		4	14-1/2	10-5/8	12-1/8	3-3/4	7/8	1-1/2	1-1/8	7-13/16	3.252	3/4	UCX15-48	SP216	30.00	
3-1/4	UCSP217-52													UC217-52			
3-7/16	UCSP217-55		4	15	9-5/8	11-7/8	4-1/4	1	2	1-1/4	8-1/16	3.374	7/8	UC217-55	SP217	37.40	
Dimensions (mm)																	
25	UCSP205		44.5	177.8	130.2	142.9	50.8	14.3	19.0	14.3	84.1	34	M12	UC205	SP205	4.00	
30	UCSP206		50.8	190.5	136.5	155.6	50.8	14.3	22.2	15.9	98.4	38.1	M12	UC206	SP206	5.80	
35	UCSP207		60.3	209.5	142.9	174.6	57.1	19.0	31.7	19.0	114.3	42.9	M16	UC207	SP207	7.40	
40	UCSP208		58.7	215.9	149.2	181.0	60.3	19.0	31.7	19.0	115.9	49.2	M16	UC208	SP208	7.40	
45	UCSP209		60.3	222.2	149.2	181.0	60.3	19.0	31.7	19.0	117.5	49.2	M16	UC209	SP209	7.80	
50	UCSP210		69.8	266.7	171.5	215.9	63.5	19.0	38.1	22.2	134.9	51.6	M16	UC210	SP210	11.60	
55	UCSP211		79.4	285.7	193.7	238.1	69.8	19.0	38.1	22.2	150.8	55.6	M16	UC211	SP211	14.20	
60	UCSP212		79.4	292.1	200.0	238.1	76.2	22.2	38.1	22.2	154.0	65.1	M20	UC212	SP212	15.80	
65	UCSP213		95.2	320.7	238.1	269.9	85.7	22.2	34.9	25.4	181.0	65.1	M20	UC213	SP213	20.40	
70	UCSP214		95.2	320.7	238.1	269.9	85.7	22.2	34.9	25.4	181.0	74.6	M20	UC214	SP214	20.70	
75	UCSP215		95.2	330.2	235.0	273.0	85.7	22.2	38.1	25.4	182.6	77.8	M20	UC215	SP215	23.80	
80	UCSP216		101.6	368.3	269.9	308.0	95.3	22.2	38.1	28.6	198.4	82.6	M20	UC216	SP216	30.00	
85	UCSP217		101.6	381.0	244.5	301.6	108.0	25.4	50.8	31.8	204.8	85.7	M22	UC217	SP217	36.80	

Lubrication fitting tap size for 1" and smaller shaft sizes, 1/4-28 UNF; for all other sizes, 1/8-27 NPT

INTERCHANGES: SP



Set-Screw/Eccentric Locking
 Narrow Inner Ring
 Cast Iron Housing
 Non-Relube
 Insert Detail-pg.116,117
 Inch and Metric



BLLP200 Type
Set-Screw Locking

KHLLP200 Type
Eccentric Collar Locking

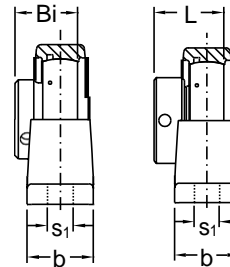
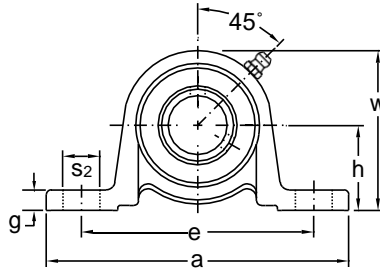
Shaft Diam. (in.)	AMI Unit # Complete with B 200 Type	List Price	AMI Unit # Complete with KH 200 Type	List Price	Dimensions (in.)													Bearing #		Housing #	Weight (lb.)
					h	a	e		b	s ₁	s ₂	g	w	Bi	L	Bolt Size (in.)	B	KH			
1/2	BLLP1-8		KHLLP201-8		1-3/16	4-1/2	3-3/16	3-11/16	1	7/16	5/8	15/32	2-1/4	0.866	1-1/8	3/8	B1-8	KH201-8		0.90	
5/8	BLLP2-10		KHLLP202-10		1-5/16	4-15/16	3-9/16	4-1/16	1-1/16	7/16	5/8	1/2	2-1/2	0.972	1-7/32	3/8	B2-10	KH202-10	LLP3	0.88	
3/4	BLLP4-12		KHLLP204-12		1-5/16	4-15/16	3-9/16	4-1/16	1-1/16	7/16	5/8	1/2	2-1/2	0.972	1-7/32	3/8	B4-12	KH204-12	LLP4	1.15	
7/8	BLLP5-14		KHLLP205-14		1-7/16	5-1/8	3-11/16	4-3/16	1-1/8	7/16	5/8	1/2	2-3/4	1.063	1-7/32	3/8	B5-14	KH205-14	LLP5	1.39	
15/16	BLLP5-15		KHLLP205-15														B5-15	KH205-15			
1	BLLP5-16		KHLLP205-16														B5-16	KH205-16			
1-1/16	BLLP6-17		—		1-11/16	6-1/8	4-13/32	5-1/32	1-3/16	9/16	13/16	19/32	3-1/4	1.193	1-13/32	1/2	B6-17	—	LLP6	1.67	
1-1/8	BLLP6-18		KHLLP206-18														B6-18	KH206-18			
1-3/16	BLLP6-19		KHLLP206-19														B6-19	KH206-19			
1-1/4	BLLP6-20		KHLLP206-20														B6-20	KH206-20			
1-1/4	BLLP7-20		KHLLP207-20		1-7/8	6-1/2	4-11/16	5-5/16	1-3/8	9/16	13/16	5/8	3-5/8	1.295	1-17/32	1/2	B7-20	KH207-20	LLP7	2.40	
1-5/16	BLLP7-21		KHLLP207-21														B7-21	KH207-21			
1-3/8	BLLP7-22		KHLLP207-22														B7-22	KH207-22			
1-7/16	BLLP7-23		KHLLP207-23														B7-23	KH207-23			
Dimensions (mm)																					
12	BLLP1		KHLLP201		30.2	114	81	94	25	12	16	12	57	22	28.6	M10	B1	KH201	LLP3	0.88	
15	BLLP2		KHLLP202														B2	KH202			
17	BLLP3		KHLLP203														B3	KH203			
20	BLLP4		KHLLP204		33.3	125	91	103	27	12	16	13	64	24.7	31	M10	B4	KH204	LLP4	1.15	
25	BLLP5		KHLLP205		36.5	130	94	106	29	12	16	13	70	27	31	M10	B5	KH205	LLP5	1.39	
30	BLLP6		KHLLP206		42.9	156	112	128	33	14	21	15	83	30.3	35.7	M12	B6	KH206	LLP6	1.67	
35	BLLP7		KHLLP207		47.6	165	119	135	35	14	21	16	93	32.9	38.9	M12	B7	KH207	LLP7	2.40	

INTERCHANGES: ASPB PB100 AELPB



NORMAL DUTY

Set-Screw/Eccentric Locking
Narrow Inner Ring
Malleable Cast Housing
Insert Detail-pg.116,117
Inch and Metric



BPW 200 Type Set-Screw Locking KHPW 200 Type Eccentric Collar Locking

Shaft Diam. (in.)	AMI Unit # Complete with B 200 Type	List Price	AMI Unit # Complete with KH 200 Type	List Price	Dimensions (in.)										Bolt Size (in.)	Bearing #		Housing #	Weight (lb.)	
					h	a	e		b	s ₁	s ₂	g	w	Bi		L	B			KH
1/2	BPW201-8		KHPW201-8		1-3/16	4-1/2	3-3/16	3-11/16	1	7/16	5/8	9/32	2-11/64	0.866	1-1/8	3/8	B1-8	KH201-8	PW203	0.68
5/8	BPW202-10		KHPW202-10		1-5/16	4-15/16	3-9/16	4-1/16	1-1/16	7/16	5/8	5/16	2-7/16	0.972	1-7/32	3/8	B2-10	KH202-10	PW203	0.66
3/4	BPW204-12		KHPW204-12		1-5/16	4-15/16	3-9/16	4-1/16	1-1/16	7/16	5/8	5/16	2-7/16	0.972	1-7/32	3/8	B4-12	KH204-12	PW204	0.82
7/8	BPW205-14		KHPW205-14		1-7/16	5-1/8	3-11/16	4-3/16	1-1/8	7/16	5/8	11/32	2-45/64	1.063	1-7/32	3/8	B5-14	KH205-14	PW205	1.06
15/16	BPW205-15		KHPW205-15													B5-15	KH205-15			
1	BPW205-16		KHPW205-16														B5-16	KH205-16		
1-1/16	BPW206-17		—														B6-17	—	PW206	1.79
1-1/8	BPW206-18		KHPW206-18		1-11/16	6-5/32	4-13/32	5-1/32	1-5/16	9/16	13/16	3/8	3-3/16	1.193	1-13/32	1/2	B6-18	KH206-18		
1-3/16	BPW206-19		KHPW206-19														B6-19	KH206-19		
1-1/4	BPW206-20		KHPW206-20														B6-20	KH206-20		
1-1/4	BPW207-20		KHPW207-20														B7-20	KH207-20	PW207	2.42
1-5/16	BPW207-21		KHPW207-21		1-7/8	6-1/2	4-11/16	5-5/16	1-3/8	9/16	13/16	13/32	3-37/64	1.295	1-17/32	1/2	B7-21	KH207-21		
1-3/8	BPW207-22		KHPW207-22														B7-22	KH207-22		
1-7/16	BPW207-23		KHPW207-23														B7-23	KH207-23		
Dimensions (mm)																				
12	BPW201		KHPW201		30.2	114	81	94	25	11	16	7	55	22	28.6	M10	B1	KH201	PW203	0.68
15	BPW202		KHPW202														B2	KH202		0.67
17	BPW203		KHPW203														B3	KH203		0.65
20	BPW204		KHPW204		33.3	125	91	103	27	11	16	8	62	24.7	31	M10	B4	KH204	PW204	0.83
25	BPW205		KHPW205		36.5	130	94	106	29	11	16	9	69	27	31	M10	B5	KH205	PW205	1.07
30	BPW206		KHPW206		42.9	156	112	128	33	14	21	10	81	30.3	35.7	M12	B6	KH206	PW206	1.81
35	BPW207		KHPW207		47.6	165	119	135	35	14	21	10	91	32.9	38.9	M12	B7	KH207	PW207	2.45

Lubrication fitting tap size for 1" and smaller shaft sizes, 1/4-28 UNF; for all other sizes, 1/8-27 NPT

INTERCHANGES: VPS-1-M LP PB100 VPE-1-M LP-E

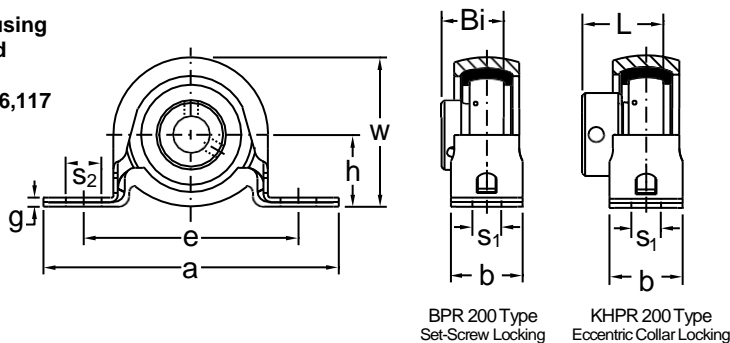


PRESSED STEEL PILLOW BLOCKS

BPR / KHPR 200

NORMAL DUTY

Set-Screw/Eccentric Locking
 Narrow Inner Ring
 Pressed Steel Housing
 Rubber Cushioned
 Non-Relube
 Insert Detail-pg.116,117
 Inch and Metric

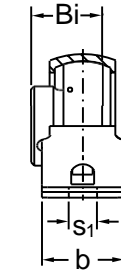
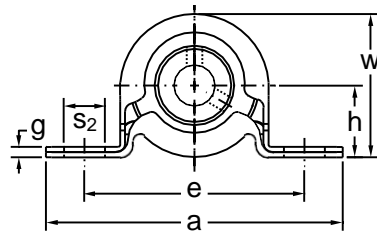


Shaft Diam. (in.)	AMI Unit # Complete with B 200 Type	List Price	AMI Unit # Complete with KH 200 Type	List Price	Dimensions (in.)										Stamping Load Limit (lbs.)	Bolt Size (in.)	Bearing #		Housing #	Rubber Ring #	Weight (lb.)												
					h	a	e		h	s ₁	s ₂	a	w	Ri			l	B				KH											
1/2	BPR1-8		KHPR201-8		1	4-1/8	2-7/8	3-1/8	1	13/32	1/2	1/8	2-1/16	0.866	1-1/8	350	3/8	B1-8	KH201-8	PP4	R4	0.46											
5/8	BPR2-10		KHPR202-10															1-1/8	13/32				9/16	5/32	2-7/32	0.972	1-7/32	400	3/8	B2-10	KH202-10	R5	0.44
3/4	BPR4-12		KHPR204-12															1-1/8	13/32				9/16	5/32	2-7/32	0.972	1-7/32	400	3/8	B4-12	KH204-12	PP5	R5
7/8	BPR5-14		KHPR205-14		1-5/16	4-7/8	3-9/16	3-15/16	1-1/4	13/32	9/16	5/32	2-5/8	1.063	1-7/32	600	3/8	B5-14	KH205-14	PP6	R6	0.77											
15/16	BPR5-15		KHPR205-15															B5-15	KH205-15														
1	BPR5-16		KHPR205-16															B5-16	KH205-16														
1-1/16	BPR6-17		—		1-9/16	5-3/4	4	4-1/2	1-5/16	17/32	3/4	3/16	3-1/8	1.193	1-13/32	800	1/2	B6-17	—	PP7	R7	1.17											
1-1/8	BPR6-18		KHPR206-18															B6-18	KH206-18														
1-3/16	BPR6-19		KHPR206-19															B6-19	KH206-19														
1-1/4	BPR6-20		KHPR206-20															B6-20	KH206-20														
Dimensions (mm)																																	
12	BPR1		KHPR201		25.4	104.8	73	79	25.4	10.3	12.7	3.2	52.4	22	28.6	350	M10	B1	KH201	PP4	R4	0.47											
15	BPR2		KHPR202															B2	KH202														
17	BPR3		KHPR203															B3	KH203														
20	BPR4		KHPR204		28.6	114.3	81	91	28.6	10.3	14.3	4	56.4	24.7	31	400	M10	B4	KH204	PP5	R5	0.54											
25	BPR5		KHPR205															B5	KH205														
30	BPR6		KHPR206															B6	KH206														

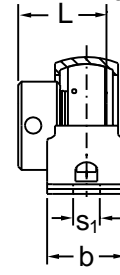
INTERCHANGES: SSRPS ASRPP SSRPE RPB SR-FM AELRPP LRP



NORMAL DUTY



BPP 200 Type
Set-Screw Locking



KHPP 200 Type
Eccentric Collar Locking

Set-Screw/Eccentric Locking
Narrow Inner Ring
Pressed Steel Housing
Non-Relube
Insert Detail-pg.116,117
Inch and Metric

Shaft Diam. (in.)	AMI Unit # Complete with B 200 Type	List Price	AMI Unit # Complete with KH 200 Type	List Price	Dimensions (in.)												Stamping Load Limit (lbs.)	Bolt Size (in.)	Bearing #		Housing #	Weight (lb.)
					h	a	e		h	s ₁	s ₂	a	w	Ri	l	B			KH			
1/2	BPP1-8		KHPP201-8		7/8	3-5/8	2-1/2	2-7/8	1	11/32	1/2	1/8	1-3/4	0.866	1-1/8	300	5/16	B1-8	KH201-8	PP3	0.39	
5/8	BPP2-10		KHPP202-10															B2-10	KH202-10	PP3	0.37	
3/4	BPP4-12		KHPP204-12		1	4-1/8	2-7/8	3-1/8	1	13/32	1/2	1/8	2-1/16	0.972	1-7/32	350	3/8	B4-12	KH204-12	PP4	0.55	
7/8	BPP5-14		KHPP205-14															B5-14	KH205-14			
15/16	BPP5-15		KHPP205-15		1-1/8	4-1/2	3-3/16	3-9/16	1-1/8	13/32	9/16	5/32	2-7/32	1.063	1-7/32	400	3/8	B5-15	KH205-15	PP5	0.73	
1	BPP5-16		KHPP205-16															B5-16	KH205-16			
1-1/16	BPP6-17		—															B6-17	—			
1-1/8	BPP6-18		KHPP206-18		1-5/16	4-7/8	3-9/16	3-15/16	1-1/4	13/32	9/16	5/32	2-5/8	1.193	1-13/32	600	3/8	B6-18	KH206-18	PP6	1.06	
1-3/16	BPP6-19		KHPP206-19															B6-19	KH206-19			
1-1/4	BPP6-20		KHPP206-20															B6-20	KH206-20			
1-1/4	BPP7-20		KHPP207-20															B7-20	KH207-20			
1-5/16	BPP7-21		KHPP207-21		1-9/16	5-3/4	4	4-1/2	1-5/16	17/32	3/4	3/16	3-1/8	1.295	1-17/32	800	1/2	B7-21	KH207-21	PP7	1.58	
1-3/8	BPP7-22		KHPP207-22															B7-22	KH207-22			
1-7/16	BPP7-23		KHPP207-23															B7-23	KH207-23			
Dimensions (mm)																						
12	BPP1		KHPP201		22.2	92.1	64	73	25.4	8.7	12.7	3.2	44.5	22	28.6	300	M8	B1	KH201		0.39	
15	BPP2		KHPP202															B2	KH202	PP3	0.37	
17	BPP3		KHPP203															B3	KH203	PP3	0.35	
20	BPP4		KHPP204		25.4	104.8	73	79	25.4	10.3	12.7	3.2	52.4	24.7	31	350		B4	KH204	PP4	0.55	
25	BPP5		KHPP205		28.6	114.3	81	91	28.6	10.3	14.3	4	56.4	27	31	400	M10	B5	KH205	PP5	0.73	
30	BPP6		KHPP206		33.3	123.8	91	100	31.8	10.3	14.3	4	66.7	30.3	35.7	600		B6	KH206	PP6	1.06	
35	BPP7		KHPP207		39.7	146.1	102	114	33.3	13.5	19.1	4.6	79.4	32.9	38.9	800	M12	B7	KH207	PP7	1.58	

INTERCHANGES: SSPS P2B-SL PS25 ASPP SSP SSPE P2B-SLX PB S-FM AELPP SSP-E

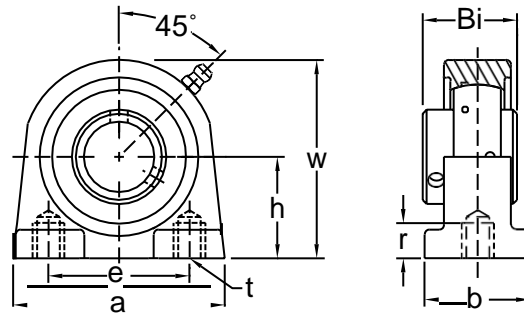


TAP BASE PILLOW BLOCKS

UCTB / UCPA 200

NORMAL DUTY

**Set-Screw Locking
Wide Inner Ring
Cast Iron Housing
Insert Detail-pg.112-113
Inch and Metric**



Shaft Diam. (in.)	AMI Unit #	List Price	Dimensions (in.)							Bolt Hole UNC Thread t (in.)	Bearing #	Housing #	Weight (lb.)
			h	a	e	b	r	w	Bi				
1/2	UCTB201-8												
5/8	UCTB202-10		1-5/16	2-7/8	2	1-1/2	1/2	2-9/16	1.220	3/8-16	UC201-8 UC202-10 UC204-12	TB204	1.43
3/4	UCTB204-12												
7/8	UCTB205-14												
15/16	UCTB205-15		1-7/16	3	2	1-1/2	1/2	2-13/16	1.339	3/8-16	UC205-14 UC205-15 UC205-16	TB205	1.79
1	UCTB205-16												
1-1/16	UCTB206-17												
1-1/8	UCTB206-18		1-11/16	4	3	1-1/2	5/8	3-3/8	1.500	7/16-14	UC206-17 UC206-18 UC206-19 UC206-20	TB206	2.65
1-3/16	UCTB206-19												
1-1/4	UCTB206-20												
1-1/4	UCTB207-20												
1-5/16	UCTB207-21		1-7/8	4-1/4	3-1/4	1-7/8	3/4	3-3/4	1.689	1/2-13	UC207-20 UC207-21 UC207-22 UC207-23	TB207	3.75
1-3/8	UCTB207-22												
1-7/16	UCTB207-23												
1-1/2	UCTB208-24		1-15/16	4-5/8	3-1/2	1-7/8	3/4	3-15/16	1.937	1/2-13	UC208-24 UC208-25	TB208	4.19
1-9/16	UCTB208-25												
1-5/8	UCTB209-26		2-1/8	5	3-3/4	2	3/4	4-1/4	1.937	1/2-13	UC209-26 UC209-27 UC209-28	TB209	4.85
1-11/16	UCTB209-27												
1-3/4	UCTB209-28												
1-7/8	UCTB210-30		2-1/4	5-1/2	4	2	7/8	4-5/8	2.031	5/8-11	UC210-30 UC210-31 UC210-32	TB210	5.73
1-15/16	UCTB210-31												
2	UCTB210-32												
2	UCTB211-32		2-1/4	5-1/2	4	2	7/8	4-5/8	2.189	5/8-11	UC211-32 UC211-34 UC211-35	TB211	6.4
2-1/8	UCTB211-34												
2-3/16	UCTB211-35												
Dimensions (mm)													
12	UCPA201												1.45
15	UCPA202		30.2	76	52	38	12	62	31	M10	UC201 UC202 UC203	PA204	1.40
17	UCPA203												1.38
20	UCPA204		30.2	76	52	38	12	62	31	M10	UC204	PA204	1.34
25	UCPA205		36.5	84	56	38	15	72	34	M10	UC205	PA205	1.81
30	UCPA206		42.9	94	66	48	18	84	38.1	M14	UC206	PA206	2.68
35	UCPA207		47.6	110	80	48	20	95	42.9		UC207	PA207	3.79
40	UCPA208		49.2	116	84	54	20	100	49.2	M14	UC208	PA208	4.24
45	UCPA209		54.2	120	90	54	25	108	49.2		UC209	PA209	4.91
50	UCPA210		57.2	130	94	60	25	116	51.6	M16	UC210	PA210	5.80

Lubrication fitting tap size for 1" and smaller shaft sizes, 1/4-28 UNF; for all other sizes, 1/8-27 NPT

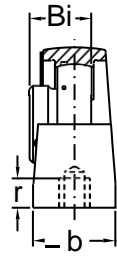
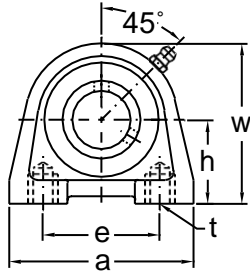
INTERCHANGES: VTBS TB-SC STB PT3U-N TBC25 UCUP TB

BSHE / KHSHE / UCSHE / UGSHE 200

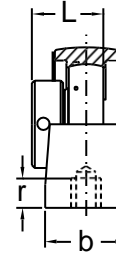
TAP BASE PILLOW BLOCKS



NORMAL DUTY



BSHE 200 Type
Set-Screw Locking



KHSHE 200 Type
Eccentric Collar Locking

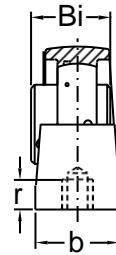
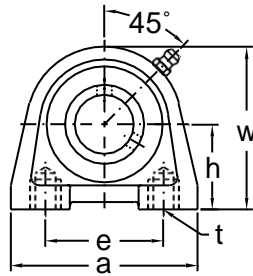
Set-Screw/Eccentric Locking
Narrow Inner Ring
Cast Iron Housing
Insert Detail-pg.116-117
Inch and Metric

Shaft Diam. (in.)	AMI Unit # Complete with B 200 Type	List Price	AMI Unit # Complete with KH 200 Type	List Price	Dimensions (in.)							Bolt Hole Thread t (mm)	Bearing #		Housing #	Weight (lb.)	
					h	a	e	b	r	w	Ri		L	B			KH
3/4	BSHE204-12		KHSHE204-12		1.311	2.756	2.000	1.260	0.393	2.520	0.972	1-7/32	M8	B4-12	KH204-12	SHE04	0.80
7/8	BSHE205-14		KHSHE205-14		1.437	3.150	2.000	1.417	0.492	2.756	1.063	1-7/32	M10	B5-14	KH205-14	SHE05	1.20
15/16	BSHE205-15		KHSHE205-15														
1	BSHE205-16		KHSHE205-16														
1-1/16	BSHE206-17		—		1.689	3.858	3.000	1.575	0.492	3.228	1.193	1-13/32	M10	B6-17	—	SHE06	1.80
1-1/8	BSHE206-18		KHSHE206-18														
1-3/16	BSHE206-19		KHSHE206-19														
1-1/4	BSHE206-20		KHSHE206-20		1.874	4.331	3.252	1.772	0.492	3.661	1.295	1-17/32	M10	B6-20	KH206-20	SHE07	3.00
1-1/4	BSHE207-20		KHSHE207-20														
1-5/16	BSHE207-21		KHSHE207-21														
1-3/8	BSHE207-22		KHSHE207-22		1.937	4.567	3.500	1.890	0.591	3.898	1.398	1-23/32	M12	B7-20	KH207-20	SHE08	3.40
1-7/16	BSHE207-23		KHSHE207-23														
1-1/2	BSHE208-24		KHSHE208-24														
1-5/8	—		KHSHE209-26		2.126	4.724	3.752	1.890	0.591	4.213	—	1-23/32	M12	—	KH209-26	SHE09	4.00
1-11/16	—		KHSHE209-27														
1-3/4	—		KHSHE209-28														
1-7/8	—		KHSHE210-30		2.252	5.315	4.000	2.087	0.787	4.528	—	1-23/32	M16	—	KH210-30	SHE10	4.80
1-15/16	—		KHSHE210-31														
2	—		KHSHE211-32														
2-1/8	—		KHSHE211-34		2.520	5.906	4.646	2.362	0.787	4.921	—	1-29/32	M16	—	KH211-32	SHE11	6.50
2-3/16	—		KHSHE211-35														

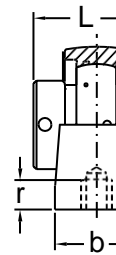
Dimensions (mm)																
AMI Unit # Complete with B 200 Type	List Price	AMI Unit # Complete with KH 200 Type	List Price	h	a	e	b	r	w	Ri	L	Bolt Hole Thread t (mm)	Bearing #	Housing #	Weight (lb.)	
20	BSHE204	KHSHE204		33.3	70	50.8	32	10.0	64	24.7	31.0	M8	B4	KH204	SHE04	0.80
25	BSHE205	KHSHE205		36.5	80	50.8	36	12.5	70	27.0	31.0	M10	B5	KH205	SHE05	1.20
30	BSHE206	KHSHE206		42.9	98	76.2	40	12.5	82	30.3	35.7	M10	B6	KH206	SHE06	1.80
35	BSHE207	KHSHE207		47.6	110	82.6	45	12.5	93	32.9	38.9	M10	B7	KH207	SHE07	2.80
40	BSHE208	KHSHE208		49.2	116	88.9	48	15.0	99	35.5	43.7	M12	B8	KH208	SHE08	3.40
45	—	KHSHE209		54.0	120	95.3	48	15.0	107	—	43.7	M12	—	KH209	SHE09	4.00
50	—	KHSHE210		57.2	135	101.6	53	20.0	115	—	43.7	M16	—	KH210	SHE10	4.60
55	—	KHSHE211		64.0	150	118.0	60	20.0	125	—	48.7	M16	—	KH211	SHE11	6.50

Lubrication fitting tap size for 1" and smaller shaft sizes, 1/4-28 UNF; for all other sizes, 1/8-27 NPT

INTERCHANGES: PSHE PSHEY



UCSHE 200 Type
Set-Screw Locking



UGSHE 200 Type
Eccentric Collar Locking

Set-Screw/Eccentric Locking
Wide Inner Ring
Cast Iron Housing
Insert Detail-pg.113,115
Metric

Dimensions (mm)																
AMI Unit # Complete with UC 200 Type	List Price	AMI Unit # Complete with UG 200 Type	List Price	h	a	e	b	r	w	Ri	L	Bolt Hole Thread t (mm)	Bearing #	Housing #	Weight (lb.)	
20	UCSHE204	UGSHE204		33.3	70	50.8	32	10.0	64	31.0	43.7	M8	UC204	UG204	SHE04	1.00
25	UCSHE205	UGSHE205		36.5	80	50.8	36	12.5	70	34.0	44.4	M10	UC205	UG205	SHE05	1.40
30	UCSHE206	UGSHE206		42.9	98	76.2	40	12.5	82	38.1	48.4	M10	UC206	UG206	SHE06	2.00
35	UCSHE207	UGSHE207		47.6	110	82.6	45	12.5	93	42.9	51.1	M10	UC207	UG207	SHE07	3.20
40	UCSHE208	UGSHE208		49.2	116	88.9	48	15.0	99	49.2	56.3	M12	UC208	UG208	SHE08	3.80
45	UCSHE209	UGSHE209		54.0	120	95.3	48	15.0	107	49.2	56.3	M12	UC209	UG209	SHE09	4.40
50	UCSHE210	UGSHE210		57.2	135	101.6	53	20.0	115	51.6	62.7	M16	UC210	UG210	SHE10	5.40
55	UCSHE211	UGSHE211		64.0	150	118.0	60	20.0	125	55.6	71.4	M16	UC211	UG211	SHE11	7.20
60	UCSHE212	UGSHE212		69.9	150	118.0	61	20.0	140	65.1	77.8	M16	UC212	UG212	SHE12	9.80

Lubrication fitting tap size for 25mm and smaller shaft sizes, 1/4-28 UNF; for all other sizes, 1/8-27 NPT

INTERCHANGES: RSHE RSHEY

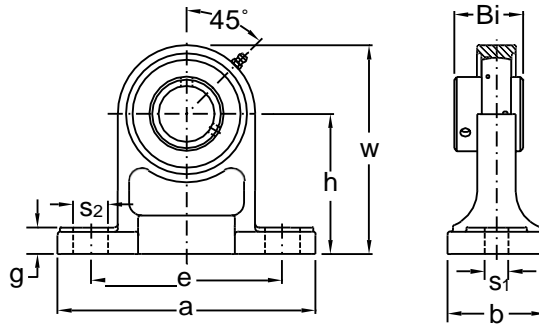


PEDESTAL BASE PILLOW BLOCKS

UCPH 200

NORMAL DUTY

**Set-Screw Locking
Wide Inner Ring
Cast Iron Housing
Insert Detail-pg.112-113
Inch and Metric**



Shaft Diam. (in.)	AMI Unit #	List Price	Dimensions (in.)										Bolt Size (in.)	Bearing #	Housing #	Weight (lb.)	
			h	a	e		b	s1	s2	g	w	Bi					
					Min.	Max.											
1/2	UCPH201-8																
5/8	UCPH202-10		2-3/4	5	3-3/8	4-1/8	1-9/16	1/2	3/4	19/32	3-31/32	1.220	3/8	UC201-8	PH204	2.20	
3/4	UCPH204-12													UC202-10		2.18	
														UC204-12		2.11	
7/8	UCPH205-14													UC205-14			
15/16	UCPH205-15		3-5/32	5-1/2	3-3/4	4-1/2	1-31/32	1/2	3/4	5/8	4-1/2	1.339	3/8	UC205-15	PH205	2.64	
1	UCPH205-16													UC205-16			
1-1/16	UCPH206-17													UC206-17			
1-1/8	UCPH206-18													UC206-18			
1-3/16	UCPH206-19		3-17/32	6-1/2	4-7/16	5-1/16	1-31/32	21/32	13/16	23/32	5-1/8	1.500	1/2	UC206-19	PH206	4.18	
1-1/4	UCPH206-20													UC206-20			
1-1/4	UCPH207-20													UC207-20			
1-5/16	UCPH207-21													UC207-21			
1-3/8	UCPH207-22		3-3/4	6-9/16	4-11/16	5-5/16	2-3/8	21/32	13/16	3/4	5-1/2	1.689	1/2	UC207-22	PH207	5.29	
1-7/16	UCPH207-23													UC207-23			
1-1/2	UCPH208-24													UC208-24			
1-9/16	UCPH208-25		3-15/16	7-1/4	4-7/8	5-7/8	2-3/4	21/32	1	3/4	5-7/8	1.937	1/2	UC208-25	PH208	6.12	
1-5/8	UCPH209-26													UC209-26			
1-11/16	UCPH209-27													UC209-27			
1-3/4	UCPH209-28		4-1/8	7-1/2	5-1/4	6-1/4	2-3/4	21/32	1	25/32	6-3/16	1.937	1/2	UC209-28	PH209	7.05	
1-7/8	UCPH210-30													UC210-30			
1-15/16	UCPH210-31													UC210-31			
2	UCPH210-32		4-11/32	8-1/8	5-7/8	6-5/8	2-3/4	25/32	1	7/8	6-1/2	2.031	5/8	UC210-32	PH210	7.93	
Dimensions (mm)																	
12	UCPH201													UC201			2.23
15	UCPH202		70	127	86	105	40	13	19	15	101	31	M10	UC202	PH204	2.21	
17	UCPH203													UC203			2.19
20	UCPH204		70	127	86	105	40	13	19	15	101	31	M10	UC204	PH204	2.14	
25	UCPH205		80	140	95	114	50	13	19	16	114	34	M10	UC205	PH205	2.68	
30	UCPH206		90	165	113	129	50	17	21	18	130	38.1	M14	UC206	PH206	4.24	
35	UCPH207		95	167	119	135	60	17	21	19	140	42.9		UC207	PH207	5.35	
40	UCPH208		100	184	124	149	70	17	25	19	149	49.2	M14	UC208	PH208	6.24	
45	UCPH209		105	190	133	159	70	17	25	20	157	49.2		UC209	PH209	7.14	
50	UCPH210		110	206	149	168	70	20	25	22	165	51.6	M16	UC210	PH210	8.03	

Lubrication fitting tap size for 1" and smaller shaft sizes, 1/4-28 UNF; for all other sizes, 1/8-27 NPT

INTERCHANGES: UCPH UCHP

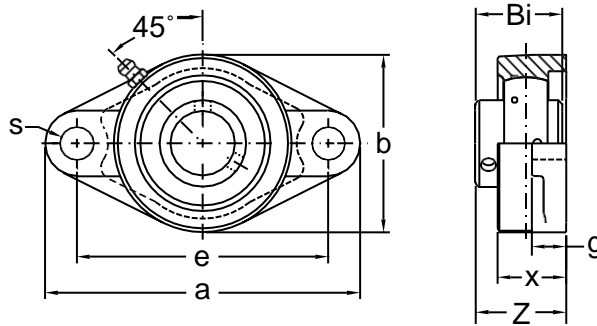


TWO-BOLT FLANGE UNITS

UCFL 200

NORMAL DUTY

**Set-Screw Locking
Wide Inner Ring
Cast Iron Housing
Insert Detail-pg.112-113
Covers Available-pg.59
Inch and Metric**



Shaft Diam. (in.)	AMI Unit #	List Price	Dimensions (in.)								Bolt Size (in.)	Bearing #	Housing #	Weight (lb.)	
			a	e	g	x	s	b	Z	Bi					
1/2	UCFL201-8												UC201-8		1.10
5/8	UCFL202-10		4-7/16	3-35/64	15/32	1	15/32	2-3/8	1.311	1.220	3/8		UC202-10		1.06
11/16	UCFL203-11												UC203-11	FL204	1.04
3/4	UCFL204-12												UC204-12		0.99
7/8	UCFL205-14												UC205-14		
15/16	UCFL205-15		5-1/8	3-57/64	9/16	1-1/16	5/8	2-11/16	1.406	1.339	9/16		UC205-15	FL205	1.39
1	UCFL205-16												UC205-16		
1-1/16	UCFL206-17												UC206-17		
1-1/8	UCFL206-18		5-13/16	4-39/64	9/16	1-7/32	5/8	3-1/8	1.583	1.500	9/16		UC206-18	FL206	2.12
1-3/16	UCFL206-19												UC206-19		
1-1/4	UCFL206-20												UC206-20		
1-1/4	UCFL207-20												UC207-20		
1-5/16	UCFL207-21		6-5/16	5-1/8	5/8	1-11/32	5/8	3-9/16	1.748	1.689	9/16		UC207-21	FL207	2.64
1-3/8	UCFL207-22												UC207-22		
1-7/16	UCFL207-23												UC207-23		
1-1/2	UCFL208-24		6-7/8	5-43/64	5/8	1-13/32	5/8	3-15/16	2.016	1.937	9/16		UC208-24	FL208	3.53
1-9/16	UCFL208-25												UC208-25		
1-5/8	UCFL209-26												UC209-26		
1-11/16	UCFL209-27		7-3/8	5-53/64	23/32	1-1/2	3/4	4-1/4	2.055	1.937	5/8		UC209-27	FL209	4.19
1-3/4	UCFL209-28												UC209-28		
1-7/8	UCFL210-30												UC210-30		
1-15/16	UCFL210-31		7-3/4	6-3/16	23/32	1-9/16	3/4	4-1/2	2.150	2.031	5/8		UC210-31	FL210	4.85
2	UCFL210-32												UC210-32		
2	UCFL211-32												UC211-32		
2-1/8	UCFL211-34		8-13/16	7-1/4	25/32	1-11/16	3/4	5-1/8	2.299	2.189	5/8		UC211-34	FL211	7.05
2-3/16	UCFL211-35												UC211-35		
2-1/4	UCFL212-36												UC212-36		
2-3/8	UCFL212-38		9-13/16	7-61/64	25/32	1-7/8	29/32	5-1/2	2.705	2.563	3/4		UC212-38	FL212	9.04
2-7/16	UCFL212-39												UC212-39		
2-1/2	UCFL213-40		10-3/16	8-17/64	15/16	1-31/32	29/32	6-1/8	2.744	2.563	3/4		UC213-40	FL213	11.24
2-11/16	UCFL214-43												UC214-43		
2-3/4	UCFL214-44		10-7/16	8-1/2	15/16	2-1/8	29/32	6-5/16	2.969	2.937	3/4		UC214-44	FL214	13.22
2-15/16	UCFL215-47												UC215-47		
3	UCFL215-48		10-13/16	8-55/64	15/16	2-7/32	29/32	6-1/2	3.091	3.063	3/4		UC215-48	FL215	14.33
3-1/4	UCFL217-52												UC217-52		
3-7/16	UCFL217-55		12	9-49/64	1-1/32	2-15/32	63/64	7-1/2	3.449	3.374	7/8		UC217-55	FL217	20.94
3-1/2	UCFL218-56		12-5/8	10-7/16	1-1/32	2-11/16	63/64	8-1/16	3.791	3.780	7/8		UC218-56	FL218	26.23
Dimensions (mm)															
Shaft Diam. (mm)	AMI Unit #	List Price	a	e	g	x	s	b	Z	Bi	Bolt Size (mm)	Bearing #	Housing #	Weight (kg)	
12	UCFL201											UC201		1.12	
15	UCFL202		113	90	12	25.4	12	60	33.3	31	M10	UC202		1.07	
17	UCFL203											UC203	FL204	1.05	
20	UCFL204		113	90	12	25.4	12	60	33.3	31	M10	UC204	FL204	1.00	
25	UCFL205		130	99	14	27	16	68	35.7	34	M14	UC205	FL205	1.40	
30	UCFL206		148	117	14	31	16	80	40.2	38.1	M14	UC206	FL206	2.14	
35	UCFL207		161	130	16	34	16	90	44.4	42.9	M14	UC207	FL207	2.68	
40	UCFL208		175	144	16	36	16	100	51.2	49.2	M14	UC208	FL208	3.57	
45	UCFL209		188	148	18	38	19	108	52.2	49.2	M16	UC209	FL209	4.24	
50	UCFL210		197	157	18	40	19	115	54.6	51.6	M16	UC210	FL210	4.91	
55	UCFL211		224	184	20	43	19	130	58.4	55.6	M16	UC211	FL211	7.14	
60	UCFL212		250	202	20	48	23	140	68.7	65.1	M20	UC212	FL212	9.14	
65	UCFL213		258	210	24	50	23	155	69.7	65.1		UC213	FL213	11.4	
70	UCFL214		265	216	24	54	23	160	75.4	74.6	M20	UC214	FL214	13.4	
75	UCFL215		275	225	24	56	23	165	78.5	77.8		UC215	FL215	14.5	
80	UCFL216		290	233	24	58	25	180	83.3	82.6		UC216	FL216	17.9	
85	UCFL217		305	248	26	63	25	190	87.6	85.7	M22	UC217	FL217	21.2	
90	UCFL218		320	265	26	68	25	205	96.3	96		UC218	FL218	26.5	

Lubrication fitting tap size for 1" and smaller shaft sizes, 1/4-28 UNF; for all other sizes, 1/8-27 NPT

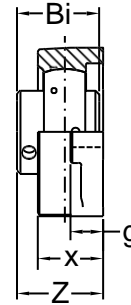
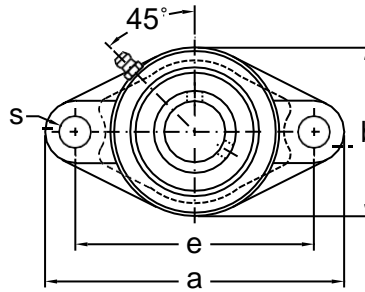
INTERCHANGES: UCFL

UCFT 200

TWO-BOLT FLANGE UNITS



NORMAL DUTY



**Set-Screw Locking
Wide Inner Ring
Cast Iron Housing
Insert Detail-pg.112-113
Inch and Metric**

Shaft Diam. (in.)	AMI Unit #	List Price	Dimensions (in.)								Bolt Size (in.)	Bearing #	Housing #	Weight (lb.)	
			a	e	g	x	s	b	Z	Bi					
1/2	UCFT201-8														1.06
9/16	UCFT202-9		3-29/32	3	7/16	31/32	13/32	2-7/23	1.302	1.024	3/8	UCW201-8			1.04
5/8	UCFT202-10											UCW202-9	FT203		1.04
11/16	UCFT203-11											UCW202-10			1.01
												UCW203-11			1.01
3/4	UCFT204-12		4-13/32	3-17/32	7/16	31/32	13/32	2-3/8	1.283	1.220	3/8	UC204-12	FT204		1.01
7/8	UCFT205-14											UC205-14			
15/16	UCFT205-15		4-7/8	3-57/64	17/32	1-1/16	1/2	2-3/4	1.401	1.339	7/16	UC205-15	FT205		1.41
1	UCFT205-16											UC205-16			
1-1/16	UCFT206-17											UC206-17			
1-1/8	UCFT206-18											UC206-18			
1-3/8	UCFT206-19		5-9/16	4-19/32	17/32	1-3/16	1/2	3-1/4	1.577	1.500	7/16	UC206-19	FT206		2.12
1-1/4	UCFT206-20											UC206-20			
1-1/4	UCFT207-20											UC207-20			
1-5/16	UCFT207-21		6-1/8	5-1/8	9/16	1-11/32	35/64	3-3/4	1.750	1.689	1/2	UC207-21	FT207		3.08
1-3/8	UCFT207-22											UC207-22			
1-7/16	UCFT207-23											UC207-23			
1-1/2	UCFT208-24											UC208-24			
1-9/16	UCFT208-25		6-3/4	5-21/32	9/16	1-1/2	35/64	4-1/8	2.017	1.937	1/2	UC208-25	FT208		3.97
1-5/8	UCFT209-26											UC209-26			
1-11/16	UCFT209-27		7-1/16	5-27/32	9/16	1-9/16	5/8	4-3/8	2.048	1.937	9/16	UC209-27	FT209		4.41
1-3/4	UCFT209-28											UC209-28			
1-7/8	UCFT210-30											UC210-30			
1-15/16	UCFT210-31		7-7/16	6-3/16	9/16	1-9/16	5/8	4-9/16	2.158	2.031	9/16	UC210-31	FT210		4.63
2	UCFT210-32											UC210-32			
2	UCFT211-32											UC211-32			
2-1/8	UCFT211-34		8-1/2	7-1/4	13/16	1-3/4	21/32	5-1/4	2.315	2.189	5/8	UC211-34	FT211		7.05
2-3/16	UCFT211-35											UC211-35			
Dimensions (mm)															
12	UCFT201											UCW201			1.07
15	UCFT202		99	76.2	11	25	10.5	56.5	33.1	26	M8	UCW202	FT203		1.05
17	UCFT203											UCW203			1.03
20	UCFT204		112	89.7	11	25	10.5	60	32.6	31	M8	UC204	FT204		1.03
25	UCFT205		124	98.8	13	27	12.5	70	35.6	34	M10	UC205	FT205		1.43
30	UCFT206		141	116.7	13	30	12.5	83	40.1	38.1	M10	UC206	FT206		2.14
35	UCFT207		156	130.2	14	34	14	95	44.5	42.9	M12	UC207	FT207		3.12
40	UCFT208		171	143.7	14	38	14	105	51.2	49.2	M12	UC208	FT208		4.01
45	UCFT209		179	148.4	14	40	16	111	52	49.2	M14	UC209	FT209		4.46
50	UCFT210		189	157.2	14	40	16	116	54.8	51.6	M14	UC210	FT210		4.68
55	UCFT211		216	184.2	21	44	17	133	58.8	55.6	M16	UC211	FT211		7.14

Lubrication fitting tap size for 1" and smaller shaft sizes, 1/4-28 UNF; for all other sizes, 1/8-27 NPT

INTERCHANGES: VF2S-2 F2B-SC YCJT FX3U-N FC2-25 FYTB-TR SFT

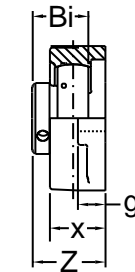
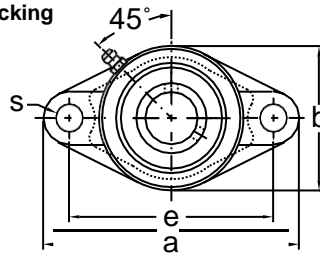


TWO-BOLT FLANGE UNITS

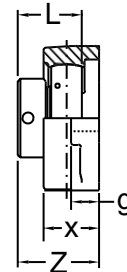
BFT / KHFT200

NORMAL DUTY

**Set-Screw/Eccentric Locking
Narrow Inner Ring
Cast Iron Housing
Insert Detail-pg.116,117
Inch and Metric**



BFT 200 Type
Set-Screw Locking



KHFT 200 Type
Eccentric Collar Locking



Shaft Diam. (in.)	AMI Unit # Complete with B 200 Type	List Price	AMI Unit # Complete with KH 200 Type	List Price	Dimensions (in.)										Bolt Size (in.)	Bearing #		Housing #	Weight (lb.)
					a	e	g	x	s	b	Z BFT KHFT	Bi	L	B		KH			
1/2	BFT201-8		KHFT201-8		3-29/32	3	7/16	31/32	13/32	2-7/32	1.303	1.543	0.866	1-1/8	3/8	B1-8 B2-10	KH201-8 KH202-10	FT203	0.86
5/8	BFT202-10		KHFT202-10		4-13/32	3-17/32	7/16	31/32	13/32	2-3/8	1.260	1.488	0.972	1-7/32	3/8	B4-12	KH204-12	FT204	1.01
3/4	BFT204-12		KHFT204-12		4-7/8	3-57/64	17/32	1-1/16	1/2	2-3/4	1.394	1.551	1.063	1-7/32	7/16	B5-14 B5-15 B5-16	KH205-14 KH205-15 KH205-16	FT205	1.43
7/8	BFT205-14		KHFT205-14													B6-17	—		
15/16	BFT205-15		KHFT205-15		5-9/16	4-19/32	17/32	1-3/16	1/2	3-1/4	1.583	1.756	1.193	1-13/32	7/16	B6-18 B6-19 B6-20	KH206-18 KH206-19 KH206-20	FT206	2.12
1	BFT205-16		KHFT205-16													B7-20	KH207-20		
1-1/16	BFT206-17		—													B7-21 B7-22	KH207-21 KH207-22	FT207	3.1
1-1/8	BFT206-18		KHFT206-18		6-3/4	5-21/32	9/16	1-1/2	35/64	4-1/8	1.870	2.114	1.398	1-23/32	1/2	B8-24	KH208-24	FT208	3.97
1-3/16	BFT206-19		KHFT206-19		7-1/16	5-27/32	9/16	1-9/16	5/8	4-3/8	—	2.146	—	1-23/32	9/16	—	KH209-26 KH209-27 KH209-28	FT209	4.36
1-1/4	BFT206-20		KHFT206-20		7-7/16	6-3/16	9/16	1-9/16	5/8	4-9/16	—	2.161	—	1-23/32	9/16	—	KH210-30 KH210-31	FT210	4.56
1-1/4	BFT207-20		KHFT207-20		8-1/2	7-1/4	13/16	1-3/4	21/32	5-1/4	—	2.433	—	1-29/32	5/8	—	KH211-32 KH211-34 KH211-35	FT211	6.85
1-5/16	—		KHFT209-26																
1-3/4	—		KHFT209-27																
1-7/8	—		KHFT209-28																
1-15/16	—		KHFT210-30																
2	—		KHFT210-31																
2-1/8	—		KHFT211-32																
2-3/16	—		KHFT211-34																
2-3/16	—		KHFT211-35																
Dimensions (mm)																			
12	BFT201		KHFT201		99	76.2	11	25	10.5	56.5	33.1	39.2	22	28.6	M8	B1	KH201	FT203	0.86
15	BFT202		KHFT202													B2	KH202		0.86
17	BFT203		KHFT203													B3	KH203		0.83
20	BFT204		KHFT204		112	89.7	11	25	10.5	60	32.0	37.8	24.7	31	M8	B4	KH204	FT204	1.01
25	BFT205		KHFT205		124	98.8	13	27	12.5	70	35.4	39.4	27	31	M10	B5	KH205	FT205	1.43
30	BFT206		KHFT206		141	116.7	13	30	12.5	83	40.2	44.6	30.3	35.7	M10	B6	KH206	FT206	2.12
35	BFT207		KHFT207		156	130.2	14	34	14	95	43.5	48.5	32.9	38.9	M12	B7	KH207	FT207	3.10
40	BFT208		KHFT208		171	143.7	14	38	14	105	47.5	53.7	35.5	43.7	M12	B8	KH208	FT208	3.97
45	—		KHFT209		179	148.4	14	40	16	111	—	54.5	—	43.7	M14	—	KH209	FT209	4.36
50	—		KHFT210		189	157.2	14	40	16	116	—	54.9	—	43.7	M14	—	KH210	FT210	4.56
55	—		KHFT211		216	184.2	21	44	17	133	—	61.8	—	48.7	M16	—	KH211	FT211	7.12

Lubrication fitting tap size for 1" and smaller shaft sizes, 1/4-28 UNF; for all other sizes, 1/8-27 NPT

INTERCHANGES: VF2E-1 F2B-SXV VCJT FX3W-U FYT-FM AELFL VFT-E

UGFJT 200

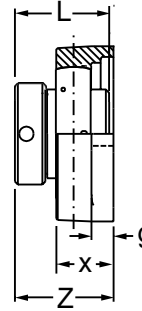
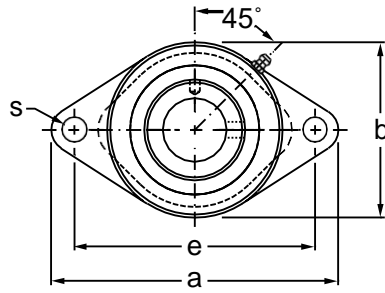
TWO-BOLT FLANGE UNITS



NORMAL DUTY



Fafnir® "RCJT" Style



**Eccentric Locking
Wide Inner Ring
Cast Iron Housing
Insert Detail-pg.115
Inch and Metric**

Shaft Diam. (in.)	AMI Unit #	List Price	Dimensions (in.)								Bolt Size (in.)	Bearing #	Housing #	Weight (lb.)
			a	e	g	x	s	b	Z	L				
1/2	UGFJT201-8		3-57/64	3	13/32	1	29/64	2-1/4	1.591	1-15/32	3/8	UGW201-8	FJT203	1.35
5/8	UGFJT202-10											UGW202-10	FJT203	
3/4	UGFJT204-12		4-13/32	3-17/32	13/32	1-7/64	29/64	2-13/32	1.795	1-23/32	3/8	UG204-12	FJT204	1.30
7/8	UGFJT205-14											UG205-14		
15/16	UGFJT205-15		4-7/8	3-57/64	7/16	1-9/64	29/64	2-3/4	1.807	1-3/4	3/8	UG205-15	FJT205	1.35
1	UGFJT205-16											UG205-16		
1-1/8	UGFJT206-18											UG206-18		
1-3/16	UGFJT206-19		5-19/32	4-19/32	31/64	1-9/64	29/64	3-9/64	1.972	1-29/32	3/8	UG206-19	FJT206	2.30
1-1/4	UGFJT206-20											UG206-20		
1-1/4	UGFJT207-20											UG207-20		
1-5/16	UGFJT207-21											UG207-21		
1-3/8	UGFJT207-22		6-7/64	5-1/8	31/64	1-1/4	9/16	3-5/8	2.098	2-1/64	1/2	UG207-22	FJT207	3.25
1-7/16	UGFJT207-23											UG207-23		
1-1/2	UGFJT208-24											UG208-24		
1-9/16	*UGFJT208-25		6-3/4	5-21/32	33/64	1-11/32	9/16	4-1/8	2.319	2-7/32	1/2	UG208-25	FJT208	4.65
1-5/8	UGFJT209-26											UG209-26		
1-11/16	UGFJT209-27		7-13/32	5-27/32	33/64	1-3/8	9/16	4-3/8	2.319	2-7/32	1/2	UG209-27	FJT209	5.60
1-3/4	UGFJT209-28											UG209-28		
1-7/8	UGFJT210-30											UG210-30		
1-15/16	UGFJT210-31		7-1/2	6-3/16	33/64	1-17/32	43/64	4-9/16	2.602	2-15/32	5/8	UG210-31	FJT210	5.95
2	UGFJT210-32											UG210-32		
2	UGFJT211-32											UG211-32		
2-1/8	UGFJT211-34		8-3/4	7-1/4	19/32	1-45/64	43/64	5-1/4	2.937	2-13/16	5/8	UG211-34	FJT211	8.05
2-3/16	UGFJT211-35											UG211-35		
Dimensions (mm)														
20	UGFJT204		112	90	10	28	11.5	61	45.6	43.7		UG204	FJT204	1.30
25	UGFJT205		124	99	11	29	11.5	70	45.9	44.4	M10	UG205	FJT205	1.35
30	UGFJT206		142	116.5	12	29	11.5	80	50.1	48.4		UG206	FJT206	2.30
35	UGFJT207		155	130	12	31	14	92	53.3	51.1		UG207	FJT207	3.25
40	UGFJT208		172	143.5	13	34	14	105	58.9	56.3	M12	UG208	FJT208	4.65
45	UGFJT209		188	148.5	13	35	14	111	58.9	56.3		UG209	FJT209	5.60
50	UGFJT210		190	157	13	39	17	116	66.1	62.7		UG210	FJT210	5.95
55	UGFJT211		222	184	15	43	17	134	74.6	71.4	M16	UG211	FJT211	8.05

*Consult factory for availability

Lubrication fitting tap size for 1" and smaller shaft sizes, 1/4-28 UNF; for all other sizes, 1/8-27 NPT

INTERCHANGES: VF2E-2 F2B-SXR RCJT FYT-WM UELFLU RFT-E

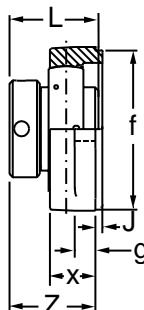
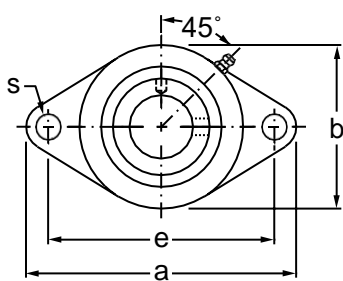


PILOTED TWO-BOLT FLANGE UNITS

UGCJTZ 200

NORMAL DUTY

**Eccentric Locking
Wide Inner Ring
Cast Iron Housing
Insert Detail-pg.115
Inch and Metric**



Shaft Diam. (in.)	AMI Unit #	List Price	Dimensions (in.)											Bolt Size (in.)	Bearing #	Housing #	Weight (lb.)
			a	e	g	x	s	b	J	f	Z	L					
3/4	UGCJTZ204-12		4-13/32	3.543	25/64	1-7/32	0.453	2-23/64	0.138	2.165	1.795	1-23/32	3/8	UG204-12	CJTZ204	1.28	
7/8	UGCJTZ205-14		4-7/8	3.898	15/32	1-1/32	0.453	2-3/4	0.138	2.362	1.807	1-3/4	7/16	UG205-14	CJTZ205	1.59	
15/16	UGCJTZ205-15	UG205-15															
1	UGCJTZ205-16	UG205-16															
1-1/8	UGCJTZ206-18		5-19/32	4.587	15/32	1-1/32	0.453	3-17/64	0.118	3.150	1.854	1-29/32	7/16	UG206-18	CJTZ206	2.14	
1-3/16	UGCJTZ206-19	UG206-19															
1-1/4	UGCJTZ206-20	UG206-20															
1-1/4	UGCJTZ207-20		6-7/64	5.118	15/32	1-1/32	0.551	3-45/64	0.157	3.543	1.941	2-1/64	1/2	UG207-20	CJTZ207	2.8	
1-5/16	UGCJTZ207-21	UG207-21															
1-3/8	UGCJTZ207-22	UG207-22															
1-7/16	UGCJTZ207-23	UG207-23															
1-1/2	UGCJTZ208-24		6-49/64	5.650	17/32	1-3/16	0.551	4-1/8	0.157	3.937	2.161	2-7/32	1/2	UG208-24	CJTZ208	3.76	
1-9/16	*UGCJTZ208-25	UG208-25															
1-5/8	UGCJTZ209-26		7-5/64	5.846	17/32	1-7/32	0.551	4-3/8	0.157	4.134	2.161	2-7/32	1/2	UG209-26	CJTZ209	4.42	
1-11/16	UGCJTZ209-27	UG209-27															
1-3/4	UGCJTZ209-28	UG209-28															
1-7/8	UGCJTZ210-30		7-1/2	6.181	17/32	1-3/8	0.551	4-9/16	0.157	4.134	2.445	2-15/32	1/2	UG210-30	CJTZ210	4.83	
1-15/16	UGCJTZ210-31	UG210-31															
2	UGCJTZ210-32	UG210-32															
Dimensions (mm)																	
20	UGCJTZ204		112	90	10	31	11.5	60	3.5	55	45.6	43.7	M10	UG204	CJTZ 204	1.28	
25	UGCJTZ205		124	99	12	26	11.5	70	3.5	60	45.9	44.4		UG205	CJTZ 205	1.59	
30	UGCJTZ206		142	116.5	12	26	11.5	83	3.0	80	47.1	48.4		UG206	CJTZ 206	2.14	
35	UGCJTZ207		155	130	12	26	14	94	4.0	90	49.3	51.1	M12	UG207	CJTZ 207	2.80	
40	UGCJTZ208		172	143.5	13	30	14	105	4.0	100	54.9	56.3		UG208	CJTZ 208	3.76	
45	UGCJTZ209		180	148.5	13	31	14	111	4.0	105	54.9	56.3		UG209	CJTZ 209	4.42	
50	UGCJTZ210		190	157	13	35	14	116	4.0	105	62.1	62.7		M12	UG210	CJTZ 210	4.83

*Consult factory for availability

Lubrication fitting tap size for 1" and smaller shaft sizes, 1/4-28 UNF; for all other sizes, 1/8-27 NPT

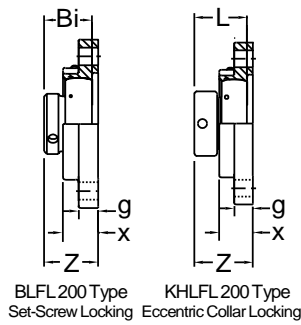
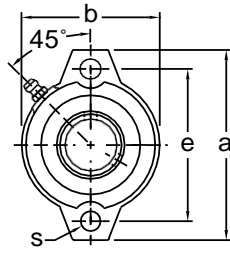
INTERCHANGES: F2B-SXR RCJTZ

BLFL / KHLFL 200

TWO-BOLT FLANGE UNITS



NORMAL DUTY



**Set-Screw/Eccentric Locking
Narrow Inner Ring
Cast Iron Housing
Insert Detail-pg.116,117
Inch and Metric**

Shaft Diam. (in.)	AMI Unit # Complete with B 200 Type	List Price	AMI Unit # Complete with KH 200 Type	List Price	Dimensions (in.)										Bolt Size (in.)	Bearing #		Housing #	Weight (lb.)
					a	e	g	x	s	b	Z		Bi	L		B	KH		
1/2	BLFL1-8		KHLFL201-8		3-3/16	2-1/2	3/8	23/32	9/32	2-3/16	1.004	1.244	0.866	1-1/8	1/4	B1-8	KH201-8	LFL3	0.66
5/8	BLFL2-10		KHLFL202-10													B2-10	KH202-10	LFL4	0.64
3/4	BLFL4-12		KHLFL204-12		3-9/16	2-13/16	7/16	25/32	25/64	2-15/32	1.130	1.358	0.972	1-7/32	5/16	B4-12	KH204-12	LFL4	0.76
7/8	BLFL5-14		KHLFL205-14													B5-14	KH205-14		
15/16	BLFL5-15		KHLFL205-15		3-3/4	3	7/16	25/32	25/64	2-23/32	1.201	1.358	1.063	1-7/32	5/16	B5-15	KH205-15	LFL5	0.98
1	BLFL5-16		KHLFL205-16													B5-16	KH205-16		
1-1/16	BLFL6-17		—													B6-17	—		
1-1/8	BLFL6-18		KHLFL206-18		4-7/16	3-9/16	15/32	7/8	15/32	3-3/32	1.350	1.524	1.193	1-13/32	3/8	B6-18	KH206-18	LFL6	1.42
1-3/16	BLFL6-19		KHLFL206-19													B6-19	KH206-19		
1-1/4	BLFL6-20		KHLFL206-20													B6-20	KH206-20		
1-1/4	BLFL7-20		KHLFL207-20													B7-20	KH207-20		
1-5/16	BLFL7-21		KHLFL207-21													B7-21	KH207-21	LFL7	2.05
1-3/8	BLFL7-22		KHLFL207-22		4-13/16	3-15/16	1/2	15/16	15/32	3-1/2	1.472	1.669	1.295	1-17/32	3/8	B7-22	KH207-22		
1-7/16	BLFL7-23		KHLFL207-23													B7-23	KH207-23		
Dimensions (mm)																			
12	BLFL1		KHLFL201		81	63.5	9.5	18	7	56	25.5	31.6	22	28.6	M6	B1	KH201	LFL3	0.66
15	BLFL2		KHLFL202													B2	KH202		0.64
17	BLFL3		KHLFL203													B3	KH203		0.60
20	BLFL4		KHLFL204		90	71.5	11	20	10	63	28.7	34.5	24.7	31	M8	B4	KH204	LFL4	0.76
25	BLFL5		KHLFL205		95	76	11	20	10	69	30.5	34.5	27	31	M8	B5	KH205	LFL5	0.98
30	BLFL6		KHLFL206		113	90.5	12	22.5	12	79	34.3	38.7	30.3	35.7	M10	B6	KH206	LFL6	1.42
35	BLFL7		KHLFL207		122	100	13	24	12	89	37.4	42.4	32.9	38.9	M10	B7	KH207	LFL7	2.05

Lubrication fitting tap size for 1" and smaller shaft sizes, 1/4-28 UNF; for all other sizes, 1/8-27 NPT

INTERCHANGES: BLF ALF SALF

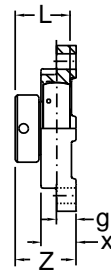
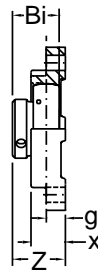
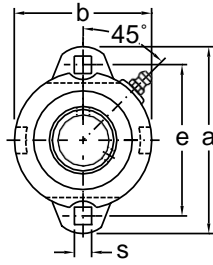


TWO-BOLT FLANGE UNITS

BFX / KHFX 200

NORMAL DUTY

Set-Screw/Eccentric Locking
Narrow Inner Ring
Malleable Cast Housing
Insert Detail-pg.116,117
Inch and Metric



BFX 200 Type
Set-Screw Locking

KHFX 200 Type
Eccentric Collar Locking



Shaft Diam. (in.)	AMI Unit # Complete with B 200 Type	List Price	AMI Unit # Complete with KH 200 Type	List Price	Dimensions (in.)										Bolt Size (in.)	Bearing #		Housing #	Weight (lb.)
					a	e	g	x	s	b	Z		Bi	L		B	KH		
1/2	BFX201-8		KHFX201-8		3-3/16	2-1/2	3/8	23/32	9/32	2-3/16	1.004	1.244	0.866	1-1/8	1/4	B1-8	KH201-8	FX203	0.57
5/8	BFX202-10		KHFX202-10		3-9/16	2-13/16	27/64	25/32	11/32	2-15/32	1.130	1.358	0.972	1-7/32	5/16	B2-10	KH202-10	FX204	0.55
3/4	BFX204-12		KHFX204-12		3-3/4	3	27/64	25/32	11/32	2-1/2	1.201	1.358	1.063	1-7/32	5/16	B4-12	KH204-12	FX205	0.62
7/8	BFX205-14		KHFX205-14													B5-14	KH205-14		
15/16	BFX205-15		KHFX205-15													B5-15	KH205-15	FX205	0.79
1	BFX205-16		KHFX205-16													B5-16	KH205-16		
1-1/16	BFX206-17															B6-17			
1-1/8	BFX206-18		KHFX206-18		4-7/16	3-9/16	15/32	7/8	13/32	3-3/32	1.350	1.524	1.193	1-13/32	3/8	B6-18	KH206-18	FX206	1.23
1-3/16	BFX206-19		KHFX206-19													B6-19	KH206-19		
1-1/4	BFX206-20		KHFX206-20													B6-20	KH206-20		
1-1/4	BFX207-20		KHFX207-20													B7-20	KH207-20		
1-5/16	BFX207-21		KHFX207-21		4-13/16	3-15/16	1/2	15/16	13/32	3-1/2	1.472	1.669	1.295	1-17/32	3/8	B7-21	KH207-21	FX207	1.74
1-3/8	BFX207-22		KHFX207-22													B7-22	KH207-22		
1-7/16	BFX207-23		KHFX207-23													B7-23	KH207-23		
Dimensions (mm)																			
12	BFX201		KHFX201		81	64	10	18	7	56	25.5	31.6	22	28.6	M6	B1	KH201	FX203	0.58
15	BFX202		KHFX202													B2	KH202	FX203	0.56
17	BFX203		KHFX203													B3	KH203		0.54
20	BFX204		KHFX204		90	71	11	20	9	63	28.7	34.5	24.7	31	M8	B4	KH204	FX204	0.62
25	BFX205		KHFX205		95	76	11	20	9	63.5	30.5	34.5	27	31	M8	B5	KH205	FX205	0.80
30	BFX206		KHFX206		113	90	12	22.5	10.3	78.6	34.3	38.7	30.3	35.7	M10	B6	KH206	FX206	1.25
35	BFX207		KHFX207		122	100	13	24	10.3	89	37.4	42.4	32.9	38.9	M10	B7	KH207	FX207	1.76

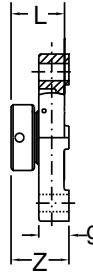
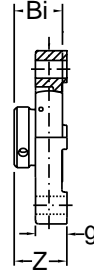
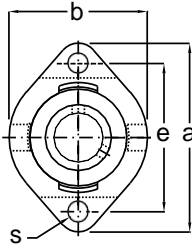
Lubrication fitting tap size for 1" and smaller shaft sizes, 1/4-28 UNF; for all other sizes, 1/8-27 NPT

INTERCHANGES:	VF2S-1M	LFT-SC	VFTD	FB160	FXW-U	LFT	VF2E-1M	LFT-SXV	LFTE-E
----------------------	----------------	---------------	-------------	--------------	--------------	------------	----------------	----------------	---------------

BLCTE / KHLCTE 200 TWO-BOLT FLANGE UNITS



NORMAL DUTY



BLCTE 200 Type Set-Screw Locking KHLCTE 200 Type Eccentric Collar Locking

Set-Screw/Eccentric Locking
Narrow Inner Ring
Malleable Cast Housing
Non-Relube
Insert Detail-pg.116,117
Inch and Metric

Shaft Diam. (in.)	AMI Unit # Complete with B 200 Type	List Price	AMI Unit # Complete with KH 200 Type	List Price	Dimensions (in.)								Bolt Size (in.)	Bearing #		Housing Weight # (lb.)		
					a	e	g	s	b	Z		Bi		L	B		KH	
1/2	BLCTE201-8		KHLCTE201-8		3-3/16	2-1/2	19/32	9/32	2-5/16	0.965	1.204	0.866	1-1/8	1/4	B1-8	KH201-8	LCTE203	0.53
5/8	BLCTE202-10		KHLCTE202-10												B2-10	KH202-10		
3/4	BLCTE204-12		KHLCTE204-12		3-9/16	2-13/16	43/64	25/64	2-5/8	1.071	1.299	0.972	1-7/32	5/16	B4-12	KH204-12	LCTE204	0.98
7/8	BLCTE205-1		KHLCTE205-14												B5-14	KH205-14		
15/16	BLCTE205-15		KHLCTE205-15		3-13/16	3	11/16	25/64	2-51/64	1.161	1.319	1.063	1-7/32	5/16	B5-15	KH205-15	LCTE205	1.18
1	BLCTE205-1		KHLCTE205-16												B5-16	KH205-16		
1-1/16	BLCTE206-1		—												B6-17	—		
1-1/8	BLCTE206-18		KHLCTE206-18		4-7/16	3-9/16	13/16	15/32	3-5/16	1.350	1.524	1.193	1-13/32	3/8	B6-18	KH206-18	LCTE206	1.85
1-3/16	BLCTE206-19		KHLCTE206-19												B6-19	KH206-19		
1-1/4	BLCTE206-20		KHLCTE206-20												B6-20	KH206-20		
1-1/4	BLCTE207-20		KHLCTE207-20												B7-20	KH207-20		
1-5/16	BLCTE207-21		KHLCTE207-21												B7-21	KH207-21	LCTE207	2.43
1-3/8	BLCTE207-22		KHLCTE207-22		4-31/32	3-15/16	7/8	15/32	3-11/16	1.453	1.649	1.295	1-17/32	3/8	B7-22	KH207-22		
1-7/16	BLCTE207-23		KHLCTE207-23												B7-23	KH207-23		
Dimensions (mm)																		
12	BLCTE201		KHLCTE201		81	63.5	15	7	59	24.5	30.6	22	28.6	M6	B1	KH201	LCTE203	0.53
15	BLCTE202		KHLCTE202												B2	KH202		
17			KHLCTE203												B3	KH203		
20	TE203		KHLCTE204		90	71.4	17	10	67	27.2	33.0	24.7	31	M8	B4	KH204	LCTE204	0.98
25	BLCTE204		KHLCTE205		97	76.2	17.5	10	71	29.5	33.5	27	31	M8	B5	KH205	LCTE205	1.18
30	BLCTE205		KHLCTE206		113	90.5	20.5	12	84	34.3	38.7	30.3	35.7	M10	B6	KH206	LCTE206	1.85
35	BLCTE207		KHLCTE207		126	100	22	12	94	36.9	41.9	32.9	38.9	M10	B7	KH207	LCTE207	2.43

INTERCHANGES: FLCT ASFD FLCTEY AELFD

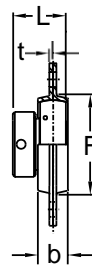
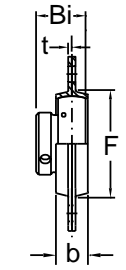
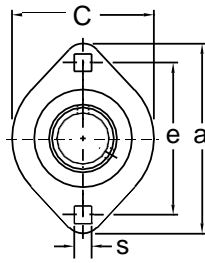


PRESSED STEEL TWO-BOLT FLANGE UNITS

BPFL / KHPFL 200

NORMAL DUTY

Set-Screw/Eccentric Locking
Narrow Inner Ring
Pressed Steel Housing
Non-Relube
Insert Detail-pg.116,117
Inch and Metric



BPFL200 Type
Set-Screw Locking

KHPFL200 Type
Eccentric Collar Locking

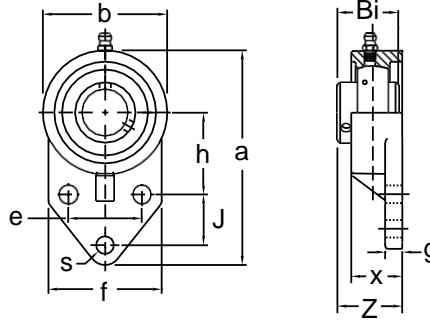
Shaft Diam. (in.)	AMI Unit # Complete with B 200 Type	List Price	AMI Unit # Complete with KH 200 Type	List Price	Dimensions (in.)										Stamping Load Limit (lbs.)	Bolt Size (in.)	Bearing #		Housing #	Weight (lb.)
					a	e	t	h	s	C	F(Min)	Ri	l	B			KH			
1/2	BPFL1-8		KHPFL201-8		3-3/16	2-1/2	0.079	9/16	9/32	2-5/16	1-15/16	0.866	1-1/8	600	1/4	B1-8	KH201-8	PFL3	0.59	
5/8	BPFL2-10		KHPFL202-10		3-9/16	2-13/16	0.079	5/8	11/32	2-5/8	2-3/16	0.972	1-7/32	700	5/16	B2-10	KH202-10	PFL4	0.57	
3/4	BPFL4-12		KHPFL204-12		3-3/4	3	0.079	11/16	11/32	2-51/64	2-3/8	1.063	1-7/32	800	5/16	B4-12	KH204-12	PFL4	0.73	
7/8	BPFL5-14		KHPFL205-14													B5-14	KH205-14	PFL5	0.88	
15/16	BPFL5-15		KHPFL205-15													B5-15	KH205-15	PFL5	0.88	
1	BPFL5-16	KHPFL205-16	B5-16	KH205-16																
1-1/16	BPFL6-17		—		4-7/16	3-9/16	0.102	11/16	13/32	3-5/16	2-13/16	1.193	1-13/32	1100	3/8	B6-17	—	PFL6	1.36	
1-1/8	BPFL6-18		KHPFL206-18													B6-18	KH206-18			
1-3/16	BPFL6-19		KHPFL206-19													B6-19	KH206-19			
1-1/4	BPFL6-20		KHPFL206-20													B6-20	KH206-20			
1-1/4	BPFL7-20		KHPFL207-20		4-15/16	3-15/16	0.102	13/16	13/32	3-11/16	3-3/16	1.295	1-17/32	1400	3/8	B7-20	KH207-20	PFL7	1.78	
1-5/16	BPFL7-21		KHPFL207-21													B7-21	KH207-21			
1-3/8	BPFL7-22		KHPFL207-22													B7-22	KH207-22			
1-7/16	BPFL7-23		KHPFL207-23													B7-23	KH207-23			
Dimensions (mm)																				
12	BPFL1		KHPFL201		81	63.5	2	14	7	59	49	22	28.6	600	M6	B1	KH201	PFL3	0.59	
15	BPFL2		KHPFL202													B2	KH202			0.57
17	BPFL3		KHPFL203													B3	KH203			0.60
20	BPFL4		KHPFL204		90	71.5	2	16	9	67	56	24.7	31	700	M8	B4	KH204	PFL4	0.73	
25	BPFL5		KHPFL205													B5	KH205	PFL5	0.88	
30	BPFL6		KHPFL206													B6	KH206	PFL6	1.36	
35	BPFL7		KHPFL207													B7	KH207	PFL7	1.78	
INTERCHANGES:		SSF2S	F2B-SL	SBPFL	FB110S	RATY	FPS2-25	SSFT	SSF2E	F2B-SLX	RAT	FT-FM	SSFT-E							

UCFB / UCFK 200

THREE-BOLT FLANGE BRACKET UNITS



NORMAL DUTY



**Set-Screw Locking
Wide Inner Ring
Cast Iron Housing
Insert Detail-pg.112-113
Inch and Metric**

Shaft Diam. (in.)	AMI Unit #	List Price	Dimensions (in.)										Bolt Size (in.)	Bearing #	Housing #	Weight (lb.)		
			a	h	e	J	g	x	s	b	f	Z					Bi	
1/2	UCFB201-8																	
5/8	UCFB202-10		4-1/4	1-11/16	1-1/2	7/8	5/16	1	25/64	2-1/2	2-3/8	1-11/32	1.220	3/8	UC201-8	FB204	1.50	
11/16	UCFB203-11														UC202-10			
3/4	UCFB204-12														UC203-11			
															UC204-12			
7/8	UCFB205-14														UC205-14			
15/16	UCFB205-15		4-3/4	1-13/16	1-5/8	1-1/8	1/2	1-1/8	25/64	2-3/4	2-1/2	1-7/16	1.339	3/8	UC205-15	FB205	2.00	
1	UCFB205-16														UC205-16			
1-1/16	UCFB206-17														UC206-17			
1-1/8	UCFB206-18		5-3/8	2-1/16	1-7/8	1-1/4	1/2	1-1/4	25/64	3-1/4	2-3/4	1-39/64	1.500	3/8	UC206-18	FB206	2.50	
1-3/16	UCFB206-19														UC206-19			
1-1/4	UCFB206-20														UC206-20			
1-1/4	UCFB207-20														UC207-20			
1-5/16	UCFB207-21		6-1/8	2-3/8	2	1-1/4	1/2	1-7/16	33/64	3-3/4	3-1/4	1-53/64	1.689	1/2	UC207-21	FB207	2.90	
1-3/8	UCFB207-22														UC207-22			
1-7/16	UCFB207-23														UC207-23			
1-1/2	UCFB208-24														UC208-24			
1-9/16	UCFB208-25		6-15/32	2-3/8	1-31/32	1-5/8	5/8	1-13/32	15/32	3-15/16	3-1/16	2-1/64	1.937	7/16	UC208-25	FB208	3.50	
1-5/8	UCFB209-26														UC209-26			
1-11/16	UCFB209-27		6-27/32	2-9/16	2-1/8	1-11/16	23/32	1-1/2	15/32	4-3/16	3-5/32	2-3/64	1.937	7/16	UC209-27	FB209	4.90	
1-3/4	UCFB209-28														UC209-28			
1-7/8	UCFB210-30														UC210-30			
1-15/16	UCFB210-31		7-1/2	2-15/16	2-3/4	1-5/8	1/2	1-1/2	33/64	4-5/8	4	2-9/64	2.031	1/2	UC210-31	FB210	5.40	
2	UCFB210-32														UC210-32			
Dimensions (mm)																		
12	UCFK201																	
15	UCFK202		110	42	32	27	13	25.5	10	62	52	33.3	31	M8	UC201	FK204	1.34	
17	UCFK203														UC202		1.29	
															UC203		1.27	
20	UCFK204		110	42	32	27	13	25.5	10	62	52	33.3	31		UC204	FK204	1.23	
25	UCFK205		116	45	34	27	13	27	10	68	56	35.7	34	M8	UC205	FK205	1.47	
30	UCFK206		130	50	40	29	13	31	10	78	65	40.2	38.1		UC206	FK206	2.07	
35	UCFK207		144	55	46	32	15	34	10	90	70	44.4	42.9	M8	UC207	FK207	2.90	
40	UCFK208		164	60	50	41	16	36	12	100	78	51.2	49.2	M10	UC208	FK208	3.79	
45	UCFK209		174	65	54	43	18	38	12	106	80	52.2	49.2	M10	UC209	FK209	4.24	
50	UCFK210		184	68	58	46	18	40	12	112	86	54.6	51.6	M10	UC210	FK210	4.91	

Lubrication fitting tap size for 1" and smaller shaft sizes, 1/4-28 UNF; for all other sizes, 1/8-27 NPT

INTERCHANGES: VFB FB-SC UCFB FB3U-N MFB-25 UCFH FB

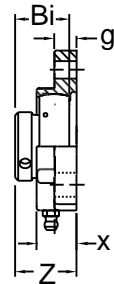
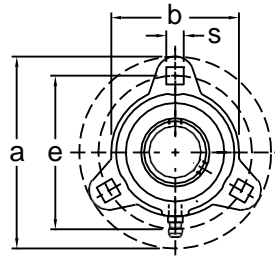


THREE-BOLT FLANGE UNITS

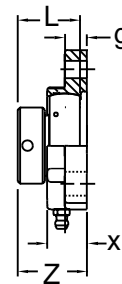
BTM / KHTM 200

NORMAL DUTY

Set-Screw/Eccentric Locking
Narrow Inner Ring
Malleable Cast Housing
Insert Detail-pg.116,117
Inch



BTM 200 Type
Set-Screw Locking



KHTM 200 Type
Eccentric Collar Locking



Shaft Diam. (in.)	AMI Unit #	List Price	Dimensions (in.)								Bolt Size (in.)	Bearing #	Housing #	Weight (lb.)
			a	e	g	x	s	b	Z	Bi				
1/2	BTM201-8		3-3/16	2-1/2	27/64	3/4	9/32	1-15/16	1.043	0.866	1/4	B1-8	TM203	0.48
5/8	BTM202-10	B2-10												
3/4	BTM204-12		3-9/16	2-13/16	7/16	25/32	11/32	2-1/4	1.126	0.972	5/16	B4-12	TM204	0.60
7/8	BTM205-14		3-3/4	3	7/16	25/32	11/32	2-1/2	1.200	1.063	5/16	B5-14	TM205	0.70
15/16	BTM205-15	B5-15												
1	BTM205-16	B5-16												
1-1/16	BTM206-17	B6-17												
1-1/8	BTM206-18		4-7/16	3-9/16	15/32	27/32	13/32	2-15/16	1.319	1.193	3/8	B6-18	TM206	1.00
1-3/16	BTM206-19	B6-19												
1-1/4	BTM206-20	B6-20												
1-1/4	BTM207-20	B7-20												
1-5/16	BTM207-21		4-13/16	3-15/16	1/2	29/32	13/32	3-3/8	1.418	1.295	3/8	B7-21	TM207	1.30
1-3/8	BTM207-22	B7-22												
1-7/16	BTM207-23	B7-23												

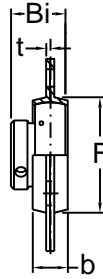
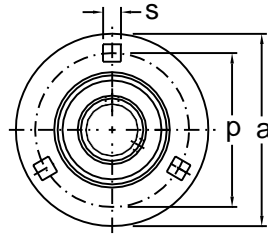
Shaft Diam. (in.)	AMI Unit #	List Price	Dimensions (in.)								Bolt Size (in.)	Bearing #	Housing #	Weight (lb.)
			a	e	g	x	s	b	Z	L				
1/2	KHTM201-8		3-3/16	2-1/2	27/64	3/4	9/32	1-15/16	1.282	1-1/8	1/4	KH201-8	TM203	0.48
5/8	KHTM202-10	KH202-10												
3/4	KHTM204-12		3-9/16	2-13/16	7/16	25/32	11/32	2-1/4	1.353	1-7/32	5/16	KH204-12	TM204	0.60
7/8	KHTM205-14		3-3/4	3	7/16	25/32	11/32	2-1/2	1.357	1-7/32	5/16	KH205-14	TM205	0.70
15/16	KHTM205-15	KH205-15												
1	KHTM205-16	KH205-16												
1-1/8	KHTM206-18	KH206-18												
1-3/16	KHTM206-19		4-7/16	3-9/16	15/32	27/32	13/32	2-15/16	1.493	1-13/32	3/8	KH206-19	TM206	1.00
1-1/4	KHTM206-20	KH206-20												
1-1/4	KHTM207-20	KH207-20												
1-5/16	KHTM207-21	KH207-21												
1-3/8	KHTM207-22		4-13/16	3-15/16	1/2	29/32	13/32	3-3/8	1.614	1-17/32	3/8	KH207-22	TM207	1.30
1-7/16	KHTM207-23	KH207-23												

Lubrication fitting tap size for 1" and smaller shaft sizes, 1/4-28 UNF; for all other sizes, 1/8-27 NPT

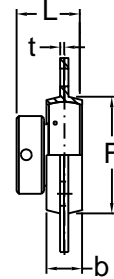
INTERCHANGES: VF3S-1M | LF-SC | FB150 | FW-U | LF



NORMAL DUTY



BPF 200 Type
Set-Screw Locking



KHPF 200 Type
Eccentric Collar Locking

Set-Screw/Eccentric Locking
Narrow Inner Ring
Pressed Steel Housing
Non-Relube
Insert Detail-pg.116,117
Inch and Metric

Shaft Diam. (in.)	AMI Unit # Complete with B 200 Type	List Price	AMI Unit # Complete with KH 200 Type	List Price	Dimensions (in.)								Bolt Size (in.)	Bearing #		Housing #	Weight (lb.)
					a	p	t	b	s	F(min)	Bi	L		B	KH		
1/2	BPF1-8		KHPF201-8		3-3/16	2-1/2	0.079	9/16	9/32	1-15/16	0.866	1-1/8	1/4	B1-8	KH201-8	PF3	0.50
5/8	BPF2-10		KHPF202-10											B2-10	KH202-10		0.48
3/4	BPF4-12		KHPF204-12		3-9/16	2-13/16	0.079	5/8	11/32	2-3/16	0.972	1-7/32	5/16	B4-12	KH204-12	PF4	0.64
7/8	BPF5-14		KHPF205-14											B5-14	KH205-14		
15/16	BPF5-15		KHPF205-15		3-3/4	3	0.079	11/16	11/32	2-3/8	1.063	1-7/32	5/16	B5-15	KH205-15	PF5	0.86
1	BPF5-16		KHPF205-16											B5-16	KH205-16		
1-1/16	BPF6-17		—											B6-17	—		
1-1/8	BPF6-18		KHPF206-18		4-7/16	3-9/16	0.102	11/16	13/32	2-13/16	1.193	1-13/32	3/8	B6-18	KH206-18	PF6	1.32
1-3/16	BPF6-19		KHPF206-19											B6-19	KH206-19		
1-1/4	BPF6-20		KHPF206-20											B6-20	KH206-20		
1-1/4	BPF7-20		KHPF207-20											B7-20	KH207-20		
1-5/16	BPF7-21		KHPF207-21		4-13/16	3-15/16	0.102	3/4	13/32	3-3/16	1.295	1-17/32	3/8	B7-21	KH207-21	PF7	1.80
1-3/8	BPF7-22		KHPF207-22											B7-22	KH207-22		
1-7/16	BPF7-23		KHPF207-23											B7-23	KH207-23		
Dimensions (mm)																	
12	BPF1		KHPF201											B1	KH201		0.50
15	BPF2		KHPF202		81	63.5	2	14	7	49	22	28.6	M6	B2	KH202	PF3	0.48
17	BPF3		KHPF203											B3	KH203		0.64
20	BPF4		KHPF204		90	71.5	2	16	9	56	24.7	31	M8	B4	KH204	PF4	0.64
25	BPF5		KHPF205		95	76	2	18	9	60	27	31	M8	B5	KH205	PF5	0.86
30	BPF6		KHPF206		113	90.5	2.6	18	11	71	30.3	35.7	M10	B6	KH206	PF6	1.32
35	BPF7		KHPF207		120	100	2.6	19	11	81	32.9	38.9	M10	B7	KH207	PF7	1.80

INTERCHANGES: SSF3S | F3B-SL | FPS3-25 | ASPF | RAY | SSF | SSF3E | F3B-SLX | RA | F-FM | AELP | SSF-E

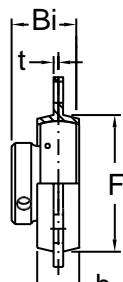
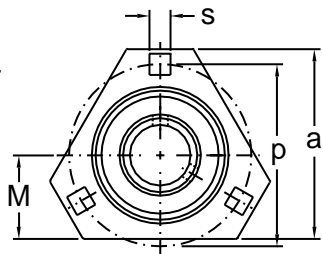


PRESSED STEEL THREE-BOLT FLANGE UNITS

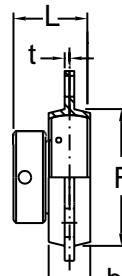
BPFT / KHPFT 200

NORMAL DUTY

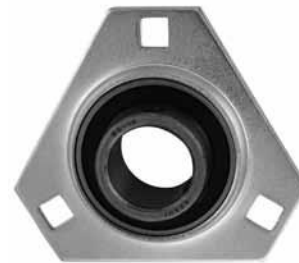
Set-Screw/Eccentric Locking
 Narrow Inner Ring
 Pressed Steel Housing
 Non-Relube
 Insert Detail-pg.116,117
 Inch and Metric



BPFT 200 Type
Set-Screw Locking



KHPFT 200 Type
Eccentric Collar Locking



Shaft Diam. (in.)	AMI Unit # Complete with B 200 Type	List Price	AMI Unit # Complete with KH 200 Type	List Price	Dimensions (in.)										Bolt Size (in.)	Bearing #		Housing Weight (lb.)
					a	n	t	h	e	F(min)	M	Ri	l	B		KH		
1/2	BPFT1-8		KHPFT201-8		2-23/32	2-1/2	0.079	9/16	9/32	1-15/16	1-1/8	0.866	1-1/8	1/4	B1-8	KH201-8	PFT3	0.49
5/8	BPFT2-10		KHPFT202-10		3	2-13/16	0.079	5/8	11/32	2-3/16	1-5/16	0.972	1-7/32	5/16	B2-10	KH202-10	PFT4	0.54
3/4	BPFT4-12		KHPFT204-12												B4-12	KH204-12		
7/8	BPFT5-14		KHPFT205-14		3-1/8	3	0.079	11/16	11/32	2-3/8	1-3/8	1.063	1-7/32	5/16	B5-14	KH205-14	PFT5	0.84
15/16	BPFT5-15		KHPFT205-15												B5-15	KH205-15		
1	BPFT5-16		KHPFT205-16												B5-16	KH205-16		
1-1/16	BPFT6-17		—												B6-17	—		
1-1/8	BPFT6-18		KHPFT206-18		3-11/16	3-9/16	0.102	5/8	13/32	2-13/16	1-1/2	1.193	1-13/32	3/8	B6-18	KH206-18	PFT6	1.18
1-3/16	BPFT6-19		KHPFT206-19												B6-19	KH206-19		
1-1/4	BPFT6-20		KHPFT206-20												B6-20	KH206-20		
1-1/4	BPFT7-20		KHPFT207-20												B7-20	KH207-20		
1-5/16	BPFT7-21		KHPFT207-21												B7-21	KH207-21	PFT7	1.69
1-3/8	BPFT7-22		KHPFT207-22		4-5/32	3-15/16	0.102	3/4	13/32	3-3/16	1-3/4	1.295	1-17/32	3/8	B7-22	KH207-22		
1-7/16	BPFT7-23		KHPFT207-23												B7-23	KH207-23		
Dimensions (mm)																		
12	BPFT1		KHPFT201		69.1	63.5	2	14.0	7	49	29	22	28.6	M6	B1	KH201	PFT3	0.49
15	BPFT2		KHPFT202												B2	KH202		0.49
17	BPFT3		KHPFT203												B3	KH203		0.54
20	BPFT4		KHPFT204		76.2	71.5	2	16.0	9	56	33	24.7	31	M8	B4	KH204	PFT4	0.54
25	BPFT5		KHPFT205		79.4	76	2	18.0	9	60	35	27	31	M8	B5	KH205	PFT5	0.84
30	BPFT6		KHPFT206		93.7	90.5	2.6	16.0	11	71	38	30.3	35.7	M10	B6	KH206	PFT6	1.18
35	BPFT7		KHPFT207		105.6	100	2.6	19.1	11	81	45	32.9	38.9	M10	B7	KH207	PFT7	1.69

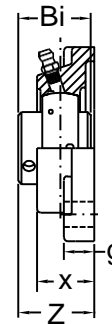
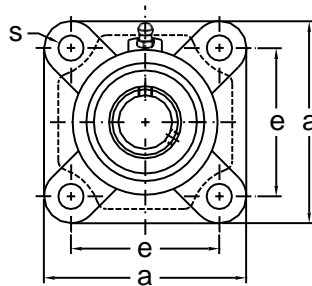
INTERCHANGES: SSF3TS TFPS-25 TSSF SSF3TE RATR 52MSTR TSSF-E

UCLF / UCF 200

FOUR-BOLT FLANGE UNITS



NORMAL DUTY



**Set-Screw Locking
Wide Inner Ring
Cast Iron Housing
Insert Detail-pg.112-113
Covers Available-pg.59
Inch and Metric**

Shaft Diam. (in.)	AMI Unit #	List Price	Dimensions (in.)							Bolt Size (in.)	Bearing #	Housing #	Weight (lb.)
			a	e	g	x	s	Z	Bi				
1/2	UCLF201-8		3	2-1/8	3/8	1-3/32	13/32	1.287	1.024	3/8	UCW201-8	LF3	1.15
9/16	UCLF202-9	UCW202-9									1.12		
5/8	UCLF202-10	UCW202-10									1.12		
11/16	UCLF203-11		3	2-1/8	3/8	1-3/32	13/32	1.287	1.024	3/8	UCW203-11	LF3	1.10
1/2	UCF201-8	UC201-8									1.41		
5/8	UCF202-10	UC202-10									1.37		
11/16	UCF203-11		3-3/8	2-1/2	15/32	1	7/16	1.311	1.220	3/8	UC203-11	F204	1.34
3/4	UCF204-12	UC204-12									1.30		
7/8	UCF205-14	UC205-14											
15/16	UCF205-15		3-3/4	2-3/4	9/16	1-1/16	15/32	1.406	1.339	7/16	UC205-15	F205	1.81
1	UCF205-16	UC205-16											
1-1/16	UCF206-17												
1-1/8	UCF206-18		4-1/4	3-1/4	9/16	1-7/32	15/32	1.583	1.500	7/16	UC206-17	F206	2.42
1-3/16	UCF206-19	UC206-18											
1-1/4	UCF206-20	UC206-19											
1-1/4	UCF207-20		4-5/8	3-5/8	5/8	1-11/32	17/32	1.748	1.689	1/2	UC206-20	F207	3.31
1-5/16	UCF207-21	UC207-20											
1-3/8	UCF207-22	UC207-21											
1-7/16	UCF207-23		5-1/8	4	5/8	1-13/32	17/32	2.016	1.937	1/2	UC207-22	F208	4.41
1-1/2	UCF208-24	UC207-23											
1-9/16	UCF208-25	UC208-24											
1-5/8	UCF209-26		5-3/8	4-1/8	23/32	1-1/2	19/32	2.055	1.937	9/16	UC208-25	F209	5.29
1-11/16	UCF209-27	UC209-26											
1-3/4	UCF209-28	UC209-27											
1-7/8	UCF210-30		5-5/8	4-3/8	23/32	1-9/16	19/32	2.150	2.031	9/16	UC209-28	F210	5.51
1-15/16	UCF210-31	UC210-30											
2	UCF210-32	UC210-31											
2	UCF211-32		6-3/8	5-1/8	25/32	1-11/16	21/32	2.299	2.189	5/8	UC210-32	F211	7.49
2-1/8	UCF211-34	UC211-32											
2-3/16	UCF211-35	UC211-34											
2-1/4	UCF212-36		6-7/8	5-5/8	25/32	1-7/8	21/32	2.705	2.563	5/8	UC211-35	F212	10.14
2-3/8	UCF212-38	UC212-36											
2-7/16	UCF212-39	UC212-38											
2-1/2	UCF213-40		7-3/8	5-7/8	25/32	1-31/32	21/32	2.744	2.563	5/8	UC212-39	F213	12.12
2-11/16	UCF214-43	UC213-40											
2-3/4	UCF214-44	UC214-43											
2-15/16	UCF215-47		7-3/4	6	15/16	2-3/8	25/32	3.209	3.063	3/4	UC214-44	FX13	13.44
3	UCF215-48	UC215-47											
3-1/4	UCF217-52	UC215-48											
3-7/16	UCF217-55		8-11/16	6-7/8	1-1/32	2-15/32	29/32	3.449	3.374	7/8	UC217-52	F214	15.4
3-1/2	UCF218-56	UC217-55											
		UC218-56											
Dimensions (mm)													
12	UCLF201		76	54	9.5	28	10.5	32.7	26	M8	UCW201	LF3	1.15
15	UCLF202	UCW202									1.12		
17	UCLF203	UCW203									1.10		
12	UCF201		86	64	12	25.4	11	33.3	31	M10	UC201	F204	1.43
15	UCF202	UC202									1.38		
17	UCF203	UC203									1.36		
20	UCF204		86	64	12	25.4	11	33.3	31	M10	UC204	F204	1.32
25	UCF205	UC205									1.83		
30	UCF206	UC206									2.45		
35	UCF207		117	92	16	34	13.5	44.4	42.9	M12	UC207	F207	3.35
40	UCF208	UC208									4.46		
45	UCF209	UC209									5.35		
50	UCF210		143	111	18	40	15	54.6	51.6	M14	UC210	F210	5.58
55	UCF211	UC211									7.58		
60	UCF212	UC212									10.3		
65	UCF213		187	149	20	50	17	69.7	65.1	M16	UC213	F213	12.3
70	UCF214	UC213									12.3		
75	UCF215	UC214									13.6		
80	UCF216		208	165	24	58	23	83.3	82.6	M20	UC215	F215	15.4
85	UCF217	UC216									17.4		
90	UCF218	UC217									20.8		
			235	187	26	68	23	96.3	96		UC218	F218	25.2

Lubrication fitting tap size for 1" and smaller shaft sizes, 1/4-28 UNF; for all other sizes, 1/8-27 NPT

INTERCHANGES: VF4S F4B-SC YCJ F3U-N FC4-25 FY-TF UCF SF

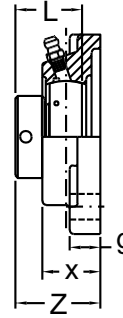
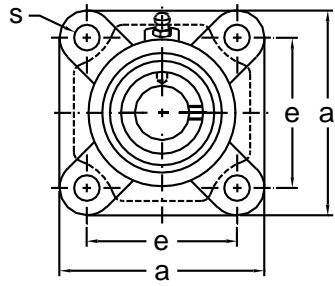


FOUR-BOLT FLANGE UNITS

KHLF / KHF 200

NORMAL DUTY

**Eccentric Locking
Narrow Inner Ring
Cast Iron Housing
Insert Detail-pg.112-113
Covers Available-pg.60
Inch and Metric**



Hub City® Style

Shaft Diam. (in.)												
1/2	KHLF201-8	3	2-1/8	3/8	1-3/32	13/32	1.528	1-1/8	3/8	KH201-8	LF3	1.15
5/8	KHLF202-10									KH202-10		1.12
3/4	KHF204-12	3-3/8	2-1/2	15/32	1	7/16	1.516	1-7/32	3/8	KH204-12	F204	1.30
7/8	KHF205-14									KH205-14		
15/16	KHF205-15	3-3/4	2-3/4	9/16	1-1/16	15/32	1.555	1-7/32	7/16	KH205-15	F205	1.83
1	KHF205-16									KH205-16		
1-1/8	KHF206-18									KH206-18		
1-3/16	KHF206-19	4-1/4	3-1/4	9/16	1-7/32	15/32	1.760	1-13/32	7/16	KH206-19	F206	2.42
1-1/4	KHF206-20									KH206-20		
1-1/4	KHF207-20									KH207-20		
1-5/16	KHF207-21	4-5/8	3-5/8	5/8	1-11/32	17/32	1.906	1-17/32	1/2	KH207-21	F207	3.33
1-3/8	KHF207-22									KH207-22		
1-7/16	KHF207-23									KH207-23		
1-1/2	KHF208-24	5-1/8	4	5/8	1-13/32	17/32	2.114	1-23/32	1/2	KH208-24	F208	4.41
1-5/8	KHF209-26									KH209-26		
1-11/16	KHF209-27	5-3/8	4-1/8	23/32	1-1/2	19/32	2.154	1-23/32	9/16	KH209-27	F209	5.24
1-3/4	KHF209-28									KH209-28		
1-7/8	KHF210-30									KH210-30		
1-15/16	KHF210-31	5-5/8	4-3/8	23/32	1-9/16	19/32	2.154	1-23/32	9/16	KH210-31	F210	5.44
2	KHF211-32									KH211-32		
2-1/8	KHF211-34	6-3/8	5-1/8	25/32	1-11/16	21/32	2.429	1-29/32	5/8	KH211-34	F211	7.29
2-3/16	KHF211-35									KH211-35		
Dimensions (mm)												
12										KH201		1.16
15		76.2	54.0	9.5	27.8	10.3	38.8	28.6	M8	KH202	LF3	1.12
17										KH203		1.10
20		86	64	12	25.4	11	38.5	31		KH204	F204	1.30
25		95	70	14	27	12	39.5	31	M10	KH205	F205	1.83
30		108	83	14	31	12	44.7	35.7		KH206	F206	2.42
35		117	92	16	34	13.5	48.4	38.9	M12	KH207	F207	3.33
40		130	102	16	36	13.5	53.7	43.7	M12	KH208	F208	4.41
45		137	105	18	38	15	54.7	43.7	M14	KH209	F209	5.24
50		143	111	18	40	15	54.7	43.7	M14	KH210	F210	5.44
55		162	130	20	43	17	61.7	48.7	M16	KH211	F211	7.29

Lubrication fitting tap size for 1" and smaller shaft sizes, 1/4-28 UNF; for all other sizes, 1/8-27 NPT

INTERCHANGES: VF4E-1 | F4B-SXV | VCJ | F3W-U | FY-FM | AELF | VF-E | FB220

UGSLF 200

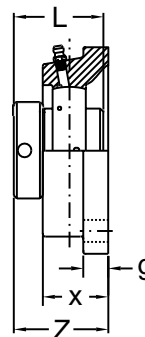
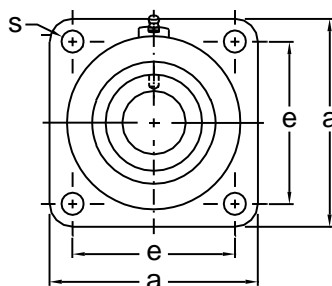
FOUR-BOLT FLANGE UNITS



NORMAL DUTY



Fafnir® Style



**Eccentric Locking
Wide Inner Ring
Cast Iron Housing
Insert Detail-pg.115
Inch and Metric**

Shaft Diam. (in.)	AMI Unit #	List Price	Dimensions (in.)							Bolt Size (in.)	Bearing #	Housing #	Weight (lb.)
			a	e	g	x	s	Z	L				
1/2	UGSLF201-8		3	2-1/8	3/8	1-3/32	29/64	1-37/64	1-15/32	3/8	UGW201-8	SLF203	1.21
5/8	UGSLF202-10										UGW202-10		
3/4	UGSLF204-12		3-3/8	2-1/2	3/8	1-5/16	29/64	1-55/64	1-23/32	3/8	UG204-12	SLF204	1.51
7/8	UGSLF205-14										UG205-14		
15/16	UGSLF205-15		3-3/4	2-3/4	7/16	1-3/8	29/64	1-57/64	1-3/4	7/16	UG205-15	SLF205	1.98
1	UGSLF205-16										UG205-16		
1-1/8	UGSLF206-18										UG206-18		
1-3/16	UGSLF206-19		4-1/4	3-1/4	1/2	1-15/32	29/64	2-5/64	1-29/32	7/16	UG206-19	SLF206	2.87
1-1/4	UGSLF206-20										UG206-20		
1-1/4	UGSLF207-20										UG207-20		
1-5/16	UGSLF207-21		4-5/8	3-5/8	1/2	1-1/2	35/64	2-5/32	2-1/64	1/2	UG207-21	SLF207	3.75
1-3/8	UGSLF207-22										UG207-22		
1-7/16	UGSLF207-23										UG207-23		
1-1/2	UGSLF208-24		5-1/8	4	5/8	1-5/8	35/64	2-11/32	2-7/32	1/2	UG208-24	SLF208	4.96
1-9/16	*UGSLF208-25										UG208-25		
1-5/8	UGSLF209-26										UG209-26		
1-11/16	UGSLF209-27		5-3/8	4-1/8	5/8	1-21/32	35/64	2-11/32	2-7/32	1/2	UG209-27	SLF209	5.51
1-3/4	UGSLF209-28										UG209-28		
1-7/8	UGSLF210-30										UG210-30		
1-15/16	UGSLF210-31		5-5/8	4-3/8	5/8	1-13/16	45/64	2-19/32	2-15/32	5/8	UG210-31	SLF210	6.28
2	UGSLF210-32										UG210-32		
2	UGSLF211-32										UG211-32		
2-1/8	UGSLF211-34		6-3/8	5-1/8	11/16	1-31/32	45/64	2-15/16	2-13/16	5/8	UG211-34	SLF211	8.93
2-3/16	UGSLF211-35										UG211-35		
2-1/4	UGSLF212-36										UG212-36		
2-3/8	UGSLF212-38		6-7/8	5-5/8	11/16	2-5/32	45/64	3-3/16	3-1/16	5/8	UG212-38	SLF212	11.25
2-7/16	UGSLF212-39										UG212-39		
Dimensions (mm)													
20	UGSLF204		86	63.5	9.5	33	11.5	47.3	43.7		UG204	SLF204	1.51
25	UGSLF205		95	70	11	35	11.5	48.0	44.4	M10	UG205	SLF205	1.98
30	UGSLF206		108	82.5	13	37	11.5	52.8	48.4		UG206	SLF206	2.87
35	UGSLF207		117	92	13	38	14	54.8	51.1		UG207	SLF207	3.75
40	UGSLF208		130	101.5	16	41	14	59.5	56.3	M12	UG208	SLF208	4.96
45	UGSLF209		137	105	16	42	14	59.5	56.3		UG209	SLF209	5.51
50	UGSLF210		143	111	16	46	18	65.9	62.7		UG210	SLF210	6.28
55	UGSLF211		162	130	18	50	18	74.6	71.4	M16	UG211	SLF211	8.93
60	UGSLF212		175	143	18	55	18	81.0	77.8		UG212	SLF212	11.25

*Consult factory for availability

Lubrication fitting tap size for 1" and smaller shaft sizes, 1/4-28 UNF; for all other sizes, 1/8-27 NPT

INTERCHANGES: VF4E-2 F4B-SXR RCJ NANF FB220W F3Y-N FY-WF UELF RF-E

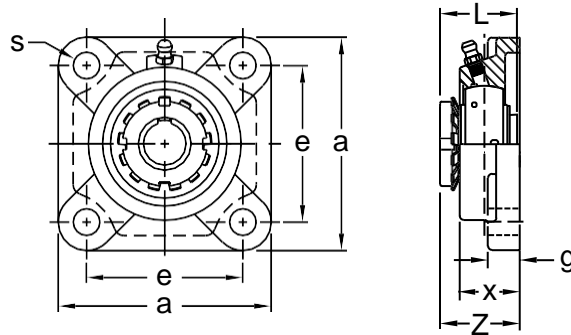


FOUR-BOLT FLANGE UNITS

UKF 200+H

NORMAL DUTY

Tapered Adapter Sleeve
Wide Inner Ring
Cast Iron Housing
Insert Detail-pg.119
Inch and Metric



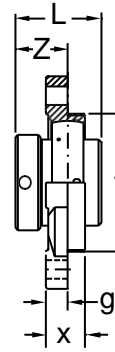
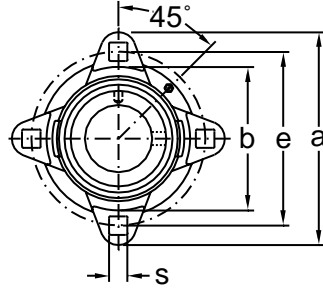
Shaft Diam. (in.)	AMI Unit #	List Price	Dimensions (in.)							Bolt Size (in.)	Bearing #	Housing #	Weight (lb.)
			a	e	g	x	s	Z	L				
3/4	UKF205+HE2305		3-3/4	2-3/4	9/16	1-1/16	15/32	1.398	1.378	7/16	UK205+HE2305	F205	1.94
13/16	UKF205+HA2305										UK205+HA2305		
7/8	UKF206+HS2306		4-1/4	3-1/4	9/16	1-7/32	15/32	1.535	1.496	7/16	UK206+HS2306	F206	2.68
15/16	UKF206+HA2306										UK206+HA2306		
1	UKF206+HE2306										UK206+HE2306		
1-1/8	UKF207+HS2307		4-5/8	3-5/8	5/8	1-11/32	17/32	1.634	1.693	1/2	UK207+HS2307	F207	3.35
1-3/16	UKF207+HA2307										UK207+HA2307		
1-1/4	UKF208+HE2308		5-1/8	4	5/8	1-13/32	17/32	1.792	1.811	1/2	UK208+HE2308	F208	4.68
1-5/16	UKF208+HA2308										UK208+HA2308		
1-3/8	UKF208+HS2308										UK208+HS2308		
1-7/16	UKF209+HA2309		5-3/8	4-1/8	23/32	1-1/2	19/32	1.890	1.969	9/16	UK209+HA2309	F209	5.58
1-1/2	UKF209+HE2309										UK209+HE2309		
1-5/8	UKF209+HS2309										UK209+HS2309		
1-11/16	UKF210+HA2310		5-5/8	4-3/8	23/32	1-9/16	19/32	1.949	2.165	9/16	UK210+HA2310	F210	6.02
1-3/4	UKF210+HE2310										UK210+HE2310		
1-7/8	UKF211+HS2311		6-3/8	5-1/8	25/32	1-11/16	21/32	2.106	2.323	5/8	UK211+HS2311	F211	8.03
1-15/16	UKF211+HA2311										UK211+HA2311		
2	UKF211+HE2311										UK211+HE2311		
2-1/16	UKF212+HA2312		6-7/8	5-5/8	25/32	1-7/8	21/32	2.362	2.441	5/8	UK212+HA2312	F212	10.3
2-1/8	UKF212+HS2312										UK212+HS2312		
2-3/16	UKF213+HA2313		7-3/8	5-7/8	25/32	1-1/32	21/32	2.480	2.559	5/8	UK213+HA2313	F213	12.7
2-1/4	UKF213+HE2313										UK213+HE2313		
2-3/8	UKF213+HS2313										UK213+HS2313		
2-7/16	UKF215+HA2315		7-7/8	6-1/4	15/16	2-7/32	3/4	2.736	2.874	11/16	UK215+HA2315	F215	16.3
2-1/2	UKF215+HE2315										UK215+HE2315		
2-3/4	UKF216+HE2316		8-3/16	6-1/2	15/16	2-9/32	29/32	2.874	3.071	7/8	UK216+HE2316	F216	18.3
2-15/16	UKF217+HA2317		8-11/16	6-7/8	1-1/32	2-15/32	29/32	3.032	3.228	7/8	UK217+HA2317	F217	21.9
3	UKF217+HE2317										UK217+HE2317		
3-1/8	UKF218+HS2318		9-1/4	7-3/8	1-1/32	2-11/16	29/32	3.248	3.386	7/8	UK218+HS2318	F218	26.1
Dimensions (mm)													
20	UKF205+H2305		95	70	14	27	12	35.5	35	M10	UK205+H2305	F205	1.94
25	UKF206+H2306		108	83	14	31	12	39	38	M10	UK206+H2306	F206	2.68
30	UKF207+H2307		117	92	16	34	13.5	41.5	43	M12	UK207+H2307	F207	3.35
35	UKF208+H2308		130	102	16	36	13.5	45.5	46	M12	UK208+H2308	F208	4.68
40	UKF209+H2309		137	105	18	38	15	48	50	M14	UK209+H2309	F209	5.58
45	UKF210+H2310		143	111	18	40	15	49.5	55	M14	UK210+H2310	F210	6.02
50	UKF211+H2311		162	130	20	43	17	53.5	59	M16	UK211+H2311	F211	8.03
55	UKF212+H2312		175	143	20	48	17	60	62	M16	UK212+H2312	F212	10.3
60	UKF213+H2313		187	149	20	50	17	63	65	M16	UK213+H2313	F213	12.7
65	UKF215+H2315		200	159	24	56	19	69.5	73	M16	UK215+H2315	F215	16.3
70	UKF216+H2316		208	165	24	58	23	73	78	M20	UK216+H2316	F216	18.3
75	UKF217+H2317		220	175	26	63	23	77	82	M20	UK217+H2317	F217	21.9
80	UKF218+H2318		235	187	26	68	23	82.5	86	M20	UK218+H2318	F218	26.1

Lubrication fitting tap size for 1" and smaller shaft sizes, 1/4-28 UNF; for all other sizes, 1/8-27 NPT

INTERCHANGES: UKF



NORMAL DUTY



Eccentric Locking
Wide Inner Ring
Malleable Cast Housing
Insert Detail-pg.115
Inch and Metric

Shaft Diam. (in.)	AMI Unit #	List Price	Dimensions (in.)									Bolt Size (in.)	Bearing #	Housing #	Weight (lb.)	
			a	e	g	x	s	b	f	Z	L					
1-1/2	UGGFDR208-24		5-25/32	4-11/16	5/8	1-7/64	0.512	3-55/64	3-17/32	1.378	2-7/32	1/2	UG208-24	GFDR208	3.04	
1-9/16	*UGGFDR208-25	UG208-25														
1-5/8	UGGFDR209-26		5-7/8	4-3/4	5/8	1-7/64	0.512	4-7/32	3-25/32	1.378	2-7/32	1/2	UG209-26	GFDR209	3.22	
1-11/16	UGGFDR209-27	UG209-27														
1-3/4	UGGFDR209-28	UG209-28														
1-7/8	UGGFDR210-30		6-7/64	5	5/8	1-7/64	0.512	4-29/64	3-31/32	1.496	2-15/32	1/2	UG210-30	GFDR210	3.68	
1-15/16	UGGFDR210-31	UG210-31														
2	UGGFDR210-32	UG210-32														
Dimensions (mm)																
40	UGGFDR208		147	119	16	28	13	98	89.7	35	56.3	M12	UG208	GFDR208	3.04	
45	UGGFDR209		149	120.5	16	28	13	107	96	35	56.3		UG209	GFDR209	3.22	
50	UGGFDR210		155	127	16	28	13	113	100.8	38	62.7		UG210	GFDR210	3.68	

*Consult factory for availability
Lubrication fitting tap size 1/4-28 UNF

INTERCHANGES: GRFD GRFDR

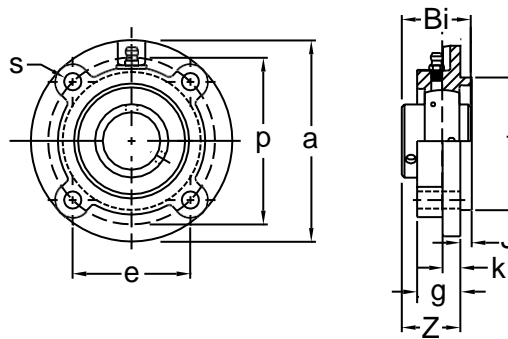


PILOTED FLANGE CARTRIDGE UNITS

UCFC 200

NORMAL DUTY

Set-Screw Locking
Wide Inner Ring
Cast Iron Housing
Insert Detail-pg.113
Covers available-pg.59
Metric



Shaft Diam. (mm)	AMI Unit #	List Price	Dimensions (mm)										Bolt Size (mm)	Bearing #	Housing #	Weight (lb.)		
			a	p	e	s	J	K	g	f	Z	Bi						
12	UCFC201																	1.98
15	UCFC202		100	78	55.1	12	5	7	20.5	62	28.3	31.0	M10	UC201	FC204		1.94	
17	UCFC203													UC202	UC203		1.92	
20	UCFC204		100	78	55.1	12	5	7	20.5	62	28.3	31.0		UC204	FC204		1.87	
25	UCFC205		115	90	63.6	12	6	7	21	70	29.7	34.0	M10	UC205	FC205		2.45	
30	UCFC206		125	100	70.7	12	8	8	23	80	32.2	38.1		UC206	FC206		3.35	
35	UCFC207		135	110	77.8	14	8	9	26	90	36.4	42.9	M12	UC207	FC207		3.79	
40	UCFC208		145	120	84.8	14	10	9	26	100	41.2	49.2	M12	UC208	FC208		4.68	
45	UCFC209		160	132	93.3	16	12	14	26	105	40.2	49.2	M14	UC209	FC209		6.69	
50	UCFC210		165	138	97.6	16	12	14	28	110	42.6	51.6	M14	UC210	FC210		6.91	
55	UCFC211		185	150	106.1	19	12	15	31	125	46.4	55.6	M16	UC211	FC211		8.7	
60	UCFC212		195	160	113.1	19	12	15	36	135	56.7	65.1	M16	UC212	FC212		9.81	
65	UCFC213		205	170	120.2	19	14	15	36	145	55.7	65.1		UC213	FC213		11.8	
70	UCFC214		215	177	125.1	19	14	18	40	150	61.4	74.6	M16	UC214	FC214		15.2	
75	UCFC215		220	184	130.1	19	16	18	40	160	62.5	77.8		UC215	FC215		16.5	
80	UCFC216		240	200	141.4	23	16	18	42	170	67.3	82.6		UC216	FC216		20.5	
85	UCFC217		250	208	147.1	23	18	20	45	180	69.6	85.7	M20	UC217	FC217		23.7	
90	UCFC218		265	220	155.5	23	18	20	50	190	78.3	96.0		UC218	FC218		28.3	

Lubrication fitting tap size for 25mm and smaller shaft sizes, 1/4-28 UNF; for all other sizes, 1/8-27 NPT

INTERCHANGES: UCFC

UCFCS 200

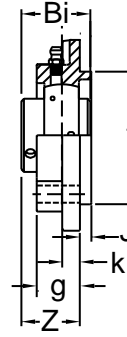
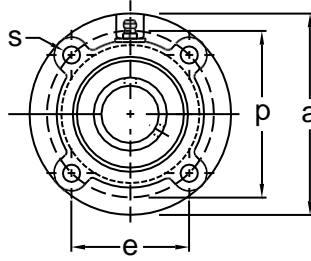
PILOTED FLANGE CARTRIDGE UNITS



NORMAL DUTY



SealMaster® Style



**Set-Screw Locking
Wide Inner Ring
Cast Iron Housing
Insert Detail-pg.112-113
Inch and Metric**

Shaft Diam. (in.)	AMI Unit #	List Price	Dimensions (in.)										Bolt Size (in.)	Bearing #	Housing #	Weight (lb.)	
			a	p	e	s	J	k	g	f	Z	Bi					
1-1/16	UCFCS206-17																
1-1/8	UCFCS206-18		4-3/8	3-5/8	2.559	3/8	1/4	23/64	15/16	3.000	1.268	1.500	5/16	UC206-17	FCSX05	2.28	
1-3/16	UCFCS206-19													UC206-18			
1-1/4	UCFCS206-20													UC206-19			
1-1/4	UCFCS207-20													UC206-20			
1-5/16	UCFCS207-21		5	4-1/8	2.921	15/32	3/8	25/64	7/8	3.375	1.315	1.689	3/8	UC207-20			
1-3/8	UCFCS207-22													UC207-21	FCSX06	3.14	
1-7/16	UCFCS207-23													UC207-22			
1-1/2	UCFCS208-24													UC207-23			
1-9/16	UCFCS208-25		5-1/4	4-3/8	3.091	15/32	7/16	7/16	1-1/32	3.625	1.543	1.937	7/16	UC208-24	FCSX07	3.71	
1-5/8	UCFCS209-26													UC208-25			
1-11/16	UCFCS209-27		6-1/8	5-1/8	3.625	17/32	15/32	29/64	7/8	4.250	1.408	1.937	1/2	UC209-26			
1-3/4	UCFCS209-28													UC209-27	FCF209	3.82	
1-7/8	UCFCS210-30													UC209-28			
1-15/16	UCFCS210-31		6-1/8	5-1/8	3.618	35/64	15/32	7/16	1	4.250	1.598	2.031	1/2	UC210-30			
2	UCFCS210-32													UC210-31	FCSX09	5.20	
2	UCFCS211-32													UC210-32			
2-1/8	UCFCS211-34		6-3/8	5-3/8	3.800	35/64	5/8	7/16	1	4.500	1.591	2.189	1/2	UC211-32			
2-3/16	UCFCS211-35													UC211-34	FCSX10	5.99	
2-1/4	UCFCS212-36													UC211-35			
2-3/8	UCFCS212-38		7-1/8	6	4.232	5/8	7/8	1/2	1-1/32	5.000	1.720	2.563	1/2	UC212-36			
2-7/16	UCFCS212-39													UC212-38	FCSX11	8.23	
2-1/2	UCFCS213-40		7-5/8	6-1/2	4.594	5/8	25/32	9/16	1-5/16	5.500	1.996	2.563	1/2	UC212-39			
2-11/16	UCFCS214-43													UC213-40	FCSX12	9.57	
2-3/4	UCFCS214-44		7-5/8	6-1/2	4.594	5/8	25/32	9/16	1-5/16	5.500	2.181	2.937	1/2	UC214-43			
2-15/16	UCFCS215-47													UC214-44	FCSX13	11.36	
3	UCFCS215-48		8-3/4	7-1/2	5.303	3/4	25/32	9/16	1-13/32	6.375	2.303	3.063	5/8	UC215-47	FCSX14	12.40	
														UC215-48			
Dimensions (mm)																	
30	UCFCS206		111	92	65	9.5	6.4	9	24	76.2	32.2	38.1	M8	UC206	FCSX05	2.28	
35	UCFCS207		127	105	74.2	12	9.5	10	22	85.7	33.4	42.9	M10	UC207	FCSX06	3.14	
40	UCFCS208		133	111	78.5	12	11	11	26	92.1	39.2	49.2	M10	UC208	FCSX07	3.71	
45	UCFCS209		155	130	92.1	13.5	12	12	22	108.0	35.8	49.2		UC209	FCF209	3.82	
50	UCFCS210		155	130	91.9	14	12	11	25	108.0	40.6	51.6	M12	UC210	FCSX09	5.20	
55	UCFCS211		162	136.5	96.5	14	15.9	11	25	114.3	40.4	55.6		UC211	FCSX10	5.99	
60	UCFCS212		181	152	107.5	16	22.2	13	26	127.0	43.7	65.1		UC212	FCSX11	8.23	
65	UCFCS213		194	165	116.7	16	19.8	14	33	139.7	50.7	65.1	M14	UC213	FCSX12	9.57	
70	UCFCS214		194	165	116.7	16	19.8	14	33	139.7	55.4	74.6		UC214	FCSX13	11.36	
75	UCFCS215		222	190.5	134.7	19	19.8	14	36	161.9	58.5	77.8	M16	UC215	FCSX14	11.38	

Lubrication fitting tap size for 1" and smaller shaft sizes, 1/4-28 UNF; for all other sizes, 1/8-27 NPT

INTERCHANGES: VFCS FC-SC PFC4-25 SFC

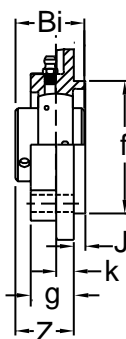
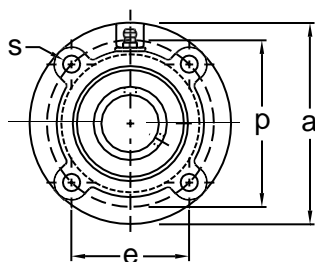


PILOTED FLANGE CARTRIDGE UNITS

UCFCF 200

NORMAL DUTY

Set-Screw Locking
 Eccentric Locking Available
 Wide Inner Ring
 Cast Iron Housing
 Insert Detail-pg.112-113
 Inch and Metric



Fafnir® Style

Shaft Diam. (in.)	AMI Unit #	List Price	Dimensions (in.)										Bolt Size (in.)	Bearing #	Housing #	Weight (lb.)	
			a	p	e	s	J	k	g	f	Z	Bi					
7/8	UCFCF205-14														UC205-14	FCF205	2.68
15/16	UCFCF205-15		4-3/8	3-5/8	2.563	13/32	1/4	23/64	55/64	3.000	1.219	1.339	3/8	UC205-15	FCF205		
1	UCFCF205-16													UC205-16			
1-1/16	UCFCF206-17													UC206-17			
1-1/8	UCFCF206-18													UC206-18	FCF206	3.90	
1-3/16	UCFCF206-19		5	4-1/8	2.917	15/32	27/64	25/64	25/32	3.375	1.172	1.500	7/16	UC206-19			
1-1/4	UCFCF206-20													UC206-20			
1-1/4	UCFCF207-20													UC207-20			
1-5/16	UCFCF207-21													UC207-21	FCF207	4.20	
1-3/8	UCFCF207-22		5-1/4	4-3/8	3.094	15/32	15/32	15/32	7/8	3.625	1.281	1.689	7/16	UC207-22			
1-7/16	UCFCF207-23													UC207-23			
1-1/2	UCFCF208-24													UC208-24	FCF208	4.60	
1-9/16	UCFCF208-25		5-1/4	4-3/8	3.094	15/32	15/32	15/32	1-1/32	3.625	1.563	1.937	7/16	UC208-25			
1-5/8	UCFCF209-26													UC209-26			
1-11/16	UCFCF209-27													UC209-27	FCF209	6.20	
1-3/4	UCFCF209-28		6-1/8	5-1/8	3.625	17/32	15/32	7/16	7/8	4.250	1.406	1.937	1/2	UC209-28			
1-7/8	UCFCF210-30													UC210-30			
1-15/16	UCFCF210-31													UC210-31	FCF210	7.00	
2	UCFCF210-32		6-3/8	5-3/8	3.800	17/32	5/8	15/32	1-1/16	4.500	1.625	2.031	1/2	UC210-32			
2	UCFCF211-32													UC211-32			
2-1/8	UCFCF211-34													UC211-34	FCF211	9.10	
2-3/16	UCFCF211-35		7-1/8	6	4.250	19/32	7/8	15/32	7/8	5.000	1.531	2.189	9/16	UC211-35			
Dimensions (mm)																	
25	UCFCF205		111	92.1	65.1	10.5	6.4	10	22	76.2	31	34	M8	UC205	FCF205	2.60	
30	UCFCF206		127	104.8	74.1	12	10.7	10	20	85.7	29.8	38.1	M10	UC206	FCF206	3.90	
35	UCFCF207		133	111.1	78.6	12	11.9	12	22	92.1	32.5	42.9	M10	UC207	FCF207	4.20	
40	UCFCF208		134	111.1	78.6	12	11.9	12	26	92.1	39.7	49.2	M10	UC208	FCF208	4.60	
45	UCFCF209		155	130.2	92.1	13.5	11.9	11	22	108.0	35.7	49.2	M12	UC209	FCF209	6.20	
50	UCFCF210		162	136.5	96.5	13.5	15.9	12	27	114.3	41.3	51.6	M12	UC210	FCF210	7.00	
55	UCFCF211		181	152.4	107.8	15	22.2	12	22	127.0	38.9	55.6	M12	UC211	FCF211	9.10	

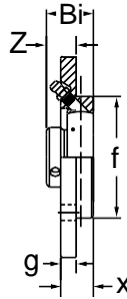
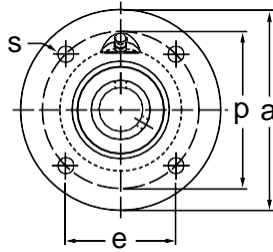
Lubrication fitting tap size for 1" and smaller shaft sizes, 1/4-28 UNF; for all other sizes, 1/8-27 NPT

INTERCHANGES: RFC UCFCF

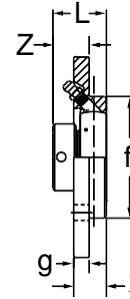
BME / KHME / UCME / UGME 200 PILOTED FLANGE CARTRIDGE UNITS



NORMAL DUTY



BME 200 Type
Set-Screw Locking



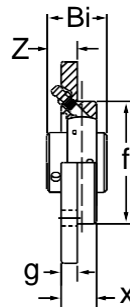
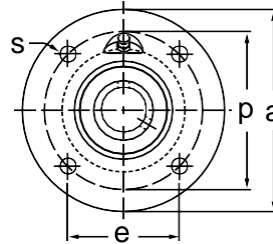
KHME 200 Type
Eccentric Collar Locking

Set-Screw/Eccentric Locking
Narrow Inner Ring
Cast Iron Housing
Insert detail-pg.116-117
Metric

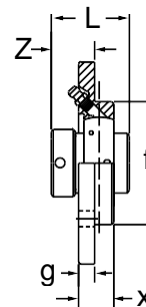
Shaft Diam. (mm)	AMI Unit # Complete with B 200 Type	List Price	AMI Unit # Complete with KH 200 Type	List Price	Dimensions (mm)											Bolt Size (mm)		Bearing #		Housing #	Weight (lb.)
					a	p	e	s	g	x	f	Z		Bi	L	B	KH				
20	BME204		KHME204		100	78	55.2	9.0	8	17	62	15.7	21.5	24.7	31.0	M8	B4	KH204	ME204	1.20	
25	BME205		KHME205		115	90	63.6	9.0	9	19	70	17.0	21.0	27.0	31.0	M8	B5	KH205	ME205	1.60	
30	BME206		KHME206		125	100	70.7	11.5	9	20	80	20.3	24.7	30.3	35.7	M10	B6	KH206	ME206	2.00	
35	BME207		KHME207		135	110	77.8	11.5	10	20	90	23.4	28.4	32.9	38.9	M10	B7	KH207	ME207	2.80	
40	BME208		KHME208		145	120	84.9	11.5	11	23	100	25.5	31.7	35.5	43.7	M10	B8	KH208	ME208	3.40	
45	—		KHME209		155	130	91.9	14	12	25	105	—	30.7	—	43.7	M12	—	KH209	ME209	4.60	
50	—		KHME210		165	135	95.5	14	13	25	110	—	31.7	—	43.7	M12	—	KH210	ME210	5.00	

Lubrication fitting tap size for 25mm and smaller shaft sizes, 1/4-28 UNF; for all other sizes, 1/8-27 NPT

INTERCHANGES: PME PMEY



UCME 200 Type
Set-Screw Locking



UGME 200 Type
Eccentric Collar Locking

Set-Screw/Eccentric Locking
Wide Inner Ring
Cast Iron Housing
Insert Detail-pg.113,115
Metric

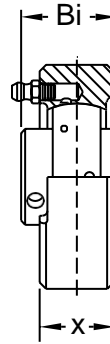
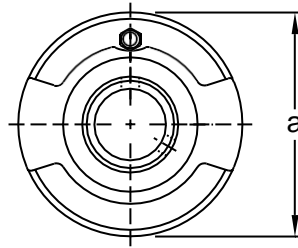
Shaft Diam. (mm)	AMI Unit # Complete with UC 200 Type	List Price	AMI Unit # Complete with UG 200 Type	List Price	Dimensions (mm)											Bolt Size (mm)		Bearing #		Housing #	Weight (lb.)
					a	p	e	s	g	x	f	Z		Bi	L	UC	UG				
20	UCME204		UGME204		100	78	55.2	9.0	8	17	62	16.3	24.6	31.0	43.7	M8	UC204	UG204	ME204	1.20	
25	UCME205		UGME205		115	90	63.6	9.0	9	19	70	17.2	24.4	34.0	44.4	M8	UC205	UG205	ME205	1.80	
30	UCME206		UGME206		125	100	70.7	11.5	9	20	80	20.2	28.1	38.1	48.4	M10	UC206	UG206	ME206	2.40	
35	UCME207		UGME207		135	110	77.8	11.5	10	20	90	24.4	31.3	42.9	51.1	M10	UC207	UG207	ME207	3.00	
40	UCME208		UGME208		145	120	84.9	11.5	11	23	100	29.2	33.9	49.2	56.3	M10	UC208	UG208	ME208	3.60	
45	UCME209		UGME209		155	130	91.9	14	12	25	105	28.2	32.9	49.2	56.3	M12	UC209	UG209	ME209	4.40	
50	UCME210		UGME210		165	135	95.5	14	13	25	110	31.6	37.1	51.6	62.7	M12	UC210	UG210	ME210	5.20	

Lubrication fitting tap size for 25mm and smaller shaft sizes, 1/4-28 UNF; for all other sizes, 1/8-27 NPT

INTERCHANGES: RME RMEY



Set-Screw Locking
 Eccentric Locking Available
 Wide Inner Ring
 Cast Iron Housing
 Insert Detail-pg.112-113
 Inch and Metric



Shaft Diam. (in.)	AMI Unit #	List Price	Dimensions (in.)			Bearing #	Housing #	Weight (lb.)
			a	x	Bi			
1/2	UCLC201-8		2-11/16	7/8	1.024	UCW201-8	LC203	1.12
5/8	UCLC202-10					UCW202-10		1.10
3/4	UCLC204-12		2-15/16	7/8	1.220	UC204-12	LC204	1.28
7/8	UCLC205-14					UC205-14		
15/16	UCLC205-15		3-1/8	1-1/32	1.339	UC205-15	LC205	1.61
1	UCLC205-16					UC205-16		
1-1/16	UCLC206-17					UC206-17		
1-1/8	UCLC206-18		3-1/2	1-3/32	1.500	UC206-18	LC206	2.09
1-3/16	UCLC206-19					UC206-19		
1-1/4	UCLC206-20					UC206-20		
1-1/4	UCLC207-20					UC207-20		
1-5/16	UCLC207-21		3-7/8	1-7/32	1.689	UC207-21	LC207	2.64
1-3/8	UCLC207-22					UC207-22		
1-7/16	UCLC207-23					UC207-23		
1-1/2	UCLC208-24		4-3/16	1-15/32	1.937	UC208-24	LC208	3.74
1-9/16	UCLC208-25					UC208-25		
1-5/8	UCLC209-26					UC209-26		
1-11/16	UCLC209-27		4-3/8	1-7/16	1.937	UC209-27	LC209	3.74
1-3/4	UCLC209-28					UC209-28		
1-7/8	UCLC210-30					UC210-30		
1-15/16	UCLC210-31		4-9/16	1-15/32	2.031	UC210-31	LC210	4.18
2	UCLC210-32					UC210-32		
2	UCLC211-32					UC211-32		
2-1/8	UCLC211-34		4-15/16	1-19/32	2.189	UC211-34	LC211	5.28
2-3/16	UCLC211-35					UC211-35		
2-1/4	UCLC212-36					UC212-36		
2-3/8	UCLC212-38		5-7/8	1-5/8	2.563	UC212-38	LC212	8.36
2-7/16	UCLC212-39					UC212-39		
2-1/2	UCLC213-40		5-7/8	1-5/8	2.563	UC213-40	LC213	7.92
Dimensions (mm)								
12	UCC201		72	20	31	UC201		1.20
15	UCC202					UC202	C204	1.16
17	UCC203					UC203		1.14
20	UCC204		72	20	31	UC204	C204	1.09
25	UCC205		80	22	34	UC205	C205	1.45
30	UCC206		85	27	38.1	UC206	C206	1.83
35	UCC207		90	28	42.9	UC207	C207	2.07
40	UCC208		100	30	49.2	UC208	C208	2.68
45	UCC209		110	31	49.2	UC209	C209	3.35
50	UCC210		120	33	51.6	UC210	C210	4.24
55	UCC211		125	35	55.6	UC211	C211	4.68
60	UCC212		130	38	65.1	UC212	C212	5.58
65	UCC213		140	40	65.1	UC213	C213	6.69

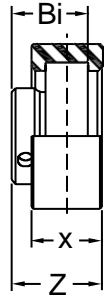
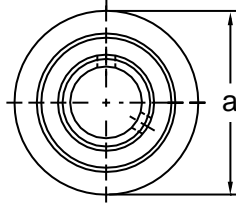
NOTE: Recommended housing bore:
 Rotating Shaft: nominal +0.001" ~ +0.003" (+0.025 mm ~ +0.076 mm).
 Stationary Shaft: nominal +0.000" ~ -0.002" (+0.000 mm ~ -0.050 mm)
 Lubrication fitting tap size 1/4-28 UNF

INTERCHANGES: RC UCC SC

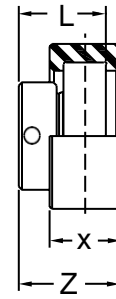
BRRCSM / KHRRCSM 200 CYLINDRICAL RUBBER CARTRIDGE UNITS



NORMAL DUTY



BRRCSM 200 Type
Set-Screw Locking



KHRRCSM 200 Type
Eccentric Collar Locking

Set-Screw/Eccentric Locking
Narrow Inner Ring
Rubber Housing
Non-Relube
Insert Detail-pg.116-117
Inch and Metric

Shaft Diam. (in.)	AMI Unit # Complete with B 200 Type	List Price	AMI Unit # Complete with KH 200 Type	List Price	Dimensions (in.)				Bearing #		Housing #	Weight (lb.)		
					a	x	Z		Bi	L			B	KHR
							BRRCSM	KHRRCSM.						
1/2	BRRCSM201-8		KHRRCSM201-8		2.559	0.984	1.122	1.362	0.866	1-1/8	BR1-8	KHR201-8	RCSM203	0.40
5/8	BRRCSM202-10		KHRRCSM202-10		2.559	0.984	1.189	1.417	0.972	1-7/32	BR2-10	KHR202-10	RCSM204	0.40
3/4	BRRCSM204-12		KHRRCSM204-12								BR5-14	KHR205-14		0.60
7/8	BRRCSM205-14		KHRRCSM205-14		2.559	0.984	1.260	1.417	1.063	1-7/32	BR5-15	KHR205-15	RCSM205	0.60
15/16	BRRCSM205-15		KHRRCSM205-15								BR5-16	KHR205-16		0.40
1	BRRCSM205-16		KHRRCSM205-16											
1-1/16	—		*KHRRCSM206-17		2.835	1.102	1.429	1.602	1.193	1-13/32	BR6-17	KHR206-17		
1-1/8	BRRCSM206-18		KHRRCSM206-18								BR6-18	KHR206-18		0.80
1-3/16	BRRCSM206-19		KHRRCSM206-19								BR6-19	KHR206-19		
1-1/4	BRRCSM206-20		KHRRCSM206-20								BR6-20	KHR206-20		
Dimensions (mm)														
12	BRRCSM201		KHRRCSM201		65	25	28.5	34.6	22.0	28.6	BR1	KHR201		
15	BRRCSM202		KHRRCSM202								BR2	KHR202	RCSM203	0.40
17	BRRCSM203		KHRRCSM203								BR3	KHR203		
20	BRRCSM204		KHRRCSM204		65	25	30.2	36.0	24.7	31.0	BR4	KHR204	RCSM204	0.40
25	BRRCSM205		KHRRCSM205		65	25	32.0	36.0	27.0	31.0	BR5	KHR205	RCSM205	0.40
30	BRRCSM206		KHRRCSM206		72	28	36.3	40.7	30.3	35.7	BR6	KHR206	RCSM206	0.60

*Consult factory for availability

INTERCHANGES: RCSM RCSMB

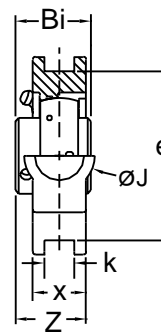
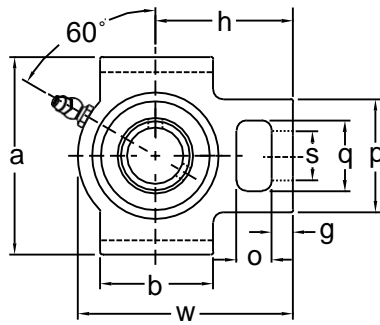


WIDE SLOT TAKE-UP UNITS

UCST 200

NORMAL DUTY

Set-Screw Locking
Wide Inner Ring
Cast Iron Housing
Insert Detail-pg.112
Covers Available-pg.59
Inch



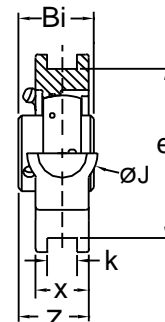
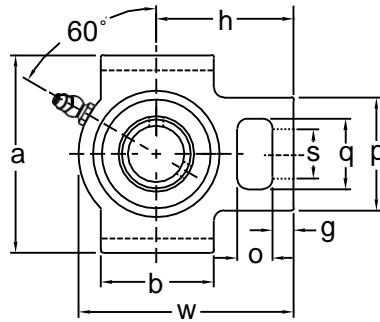
Shaft Diam. (in.)	AMI Unit #	List Price	Dimensions (in.)														Bearing #	Housing #	Weight (lb.)		
			o	g	p	q	s	b	k	e	a	w	J	x	h	Z				Bi	
1/2	UCST201-8																		UC201-8		
5/8	UCST202-10																		UC202-10		
11/16	UCST203-11		5/8	3/8	2	1-1/4	3/4	2	17/32	3	3-1/2	3-11/16	1-1/4	15/16	2-3/8	1.658	1.220	UC203-11	ST204	1.85	
3/4	UCST204-12																	UC204-12			
7/8	UCST205-14																	UC205-14			
15/16	UCST205-15		5/8	3/8	2	1-1/4	7/8	2	17/32	3	3-1/2	3-13/16	1-1/4	15/16	2-7/16	1.245	1.339	UC205-15	ST205	1.76	
1	UCST205-16																	UC205-16			
1-1/16	UCST206-17																	UC206-17			
1-1/8	UCST206-18																	UC206-18			
1-3/16	UCST206-19		5/8	3/8	2-3/16	1-7/16	7/8	2-1/4	17/32	3-1/2	4	4-7/16	1-7/16	15/16	2-3/4	1.812	1.500	UC206-19	ST206	2.42	
1-1/4	UCST206-20																	UC206-20			
1-1/4	UCST207-20																	UC207-20			
1-5/16	UCST207-21																	UC207-21			
1-3/8	UCST207-22		5/8	1/2	2-1/2	1-7/16	7/8	2-1/2	17/32	3-1/2	4	5-1/16	1-7/16	1-3/16	3-1/16	1.594	1.689	UC207-22	ST207	3.53	
1-7/16	UCST207-23																	UC207-23			
1-1/2	UCST208-24																	UC208-24			
1-9/16	UCST208-25		3/4	5/8	3-1/4	1-15/16	1-1/8	3-1/4	11/16	4	4-1/2	5-11/16	1-15/16	1-3/8	3-1/2	1.877	1.937	UC208-25	ST208	5.51	
1-5/8	UCST209-26																	UC209-26			
1-11/16	UCST209-27		3/4	5/8	3-1/4	1-15/16	1-1/8	3-1/4	11/16	4	4-5/8	5-11/16	1-15/16	1-3/8	3-7/16	1.877	1.937	UC209-27	ST209	5.29	
1-3/4	UCST209-28																	UC209-28			
1-7/8	UCST210-30																	UC210-30			
1-15/16	UCST210-31		3/4	5/8	3-1/4	1-15/16	1-1/8	3-3/8	11/16	4	4-5/8	5-7/8	1-15/16	1-3/8	3-9/16	1.971	2.031	UC210-31	ST210	5.29	
2	UCST210-32																	UC210-32			
2	UCST211-32																	UC211-32			
2-1/8	UCST211-34		1	3/4	4	2-1/2	1-3/8	3-3/4	1-1/16	5-1/8	5-3/4	6-3/4	2-1/2	1-5/8	4-3/16	2.128	2.189	UC211-34	ST211	9.04	
2-3/16	UCST211-35																	UC211-35			
2-1/4	UCST212-36																	UC212-36			
2-3/8	UCST212-38																	UC212-38			
2-7/16	UCST212-39		1-1/4	3/4	4	2-1/2	1-3/8	4	1-1/16	5-1/8	5-3/4	7-5/8	2-1/2	1-13/16	4-11/16	2.469	2.563	UC212-39	ST212	11.02	
2-1/2	UCST213-40		1-1/4	13/16	4-3/8	2-3/4	1-5/8	4-3/4	1-1/16	5-15/16	6-9/16	8-13/16	2-3/4	2	5-3/8	2.563	2.563	UC213-40	ST213	15.43	
2-11/16	UCST214-43																	UC214-43			
2-3/4	UCST214-44		1-1/4	13/16	4-3/8	2-3/4	1-5/8	4-3/4	1-1/16	5-15/16	6-9/16	8-13/16	2-3/4	2	5-3/8	2.748	2.937	UC214-44	ST214	16.50	

Lubrication fitting tap size for 1" and smaller shaft sizes, 1/4-28 UNF; for all other sizes, 1/8-27 NPT

INTERCHANGES: VTWS WSTU YTU TH3U-N WSTU250W RTUEY TC-25 TYB-TF ST



NORMAL DUTY



Set-Screw Locking
Wide Inner Ring
Cast Iron Housing
Insert Detail-pg.113
Covers Available-pg.60
Metric

Shaft Diam. (mm)	AMI Unit #	List Price	Dimensions (mm)														Bearing #	Housing #	Weight (lb.)	
			o	g	p	q	s	b	k	e	a	w	J	x	h	Z				Bi
12	UCT201																	UC201		1.76
15	UCT202																	UC202		1.72
17	UCT203		16	10	51	32	19	51	12	76	89	94	32	21	61	28.8	31	UC203	T204	1.69
20	UCT204																	UC204		1.65
25	UCT205		16	10	51	32	19	51	12	76	89	97	32	24	62	31.7	34	UC205	T205	1.83
30	UCT206		16	10	56	37	22	57	12	89	102	113	37	28	70	36.2	38.1	UC206	T206	2.90
35	UCT207		16	13	64	37	22	64	12	89	102	129	37	30	78	40.4	42.9	UC207	T207	3.57
40	UCT208		19	16	83	49	29	83	16	102	114	144	49	33	88	46.7	49.2	UC208	T208	5.35
45	UCT209		19	16	83	49	29	83	16	102	117	144	49	35	87	47.7	49.2	UC209	T209	5.35
50	UCT210		19	16	83	49	29	86	16	102	117	149	49	37	90	51.1	51.6	UC210	T210	5.58
55	UCT211		25	19	102	64	35	95	22	130	146	171	64	38	106	52.4	55.6	UC211	T211	8.92
60	UCT212		32	19	102	64	35	102	22	130	146	194	64	42	119	60.7	65.1	UC212	T212	11.4
65	UCT213		32	21	111	70	41	121	26	151	167	224	70	44	137	61.7	65.1	UC213	T213	15.6
70	UCT214		32	21	111	70	41	121	26	151	167	224	70	46	137	67.4	74.6	UC214	T214	15.8
75	UCT215		32	21	111	70	41	121	26	151	167	232	70	48	140	68.5	77.8	UC215	T215	16.7
80	UCT216		32	21	111	70	41	121	26	165	184	235	70	51	140	74.8	82.6	UC216	T216	19.0
85	UCT217		38	29	124	73	48	157	30	173	198	260	73	54	162	78.6	85.7	UC217	T217	25.0

Lubrication fitting tap size for 25mm and smaller shaft sizes, 1/4-28 UNF; for all other sizes, 1/8-27 NPT

INTERCHANGES: UCT

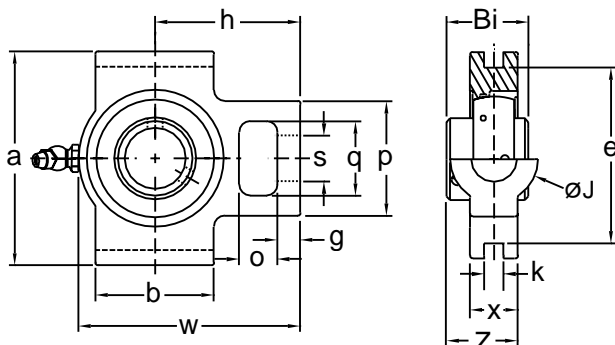


NARROW SLOT TAKE-UP UNITS

UCNST 200

NORMAL DUTY

Set-Screw Locking
Wide Inner Ring
Cast Iron Housing
Insert Detail-pg.112
Inch



Hub City® Style

Shaft Diam. (in.)	AMI Unit #	List Price	Dimensions (in.)														Bearing #	Housing #	Weight (lb.)	
			o	g	p	q	s	b	k	e	a	w	J	x	h	Z				Bi
1/2	UCNST201-8																	UC201-8		
5/8	UCNST202-10																	UC202-10		
11/16	UCNST203-11		5/8	3/8	1-7/8	1-7/32	3/4	1-3/4	5/16	3	3-1/2	3-35/64	1-7/16	25/32	2-3/8	1.111	1.220	UC203-11	NST204	1.85
3/4	UCNST204-12																	UC204-12		
7/8	UCNST205-14																	UC205-14		
15/16	UCNST205-15		5/8	3/8	1-7/8	1-7/32	3/4	1-15/16	5/16	3	3-1/2	3-5/8	1-7/16	25/32	2-3/8	1.167	1.339	UC205-15	NST205	1.76
1	UCNST205-16																	UC205-16		
1-1/16	UCNST206-17																	UC206-17		
1-1/8	UCNST206-18																	UC206-18		
1-3/16	UCNST206-19		3/4	1/2	2-1/8	1-11/32	7/8	2-3/8	5/16	3-1/2	4	4-1/4	1-19/32	7/8	2-25/32	1.312	1.500	UC206-19	NST206	2.42
1-1/4	UCNST206-20																	UC206-20		
1-1/4	UCNST207-20																	UC207-20		
1-5/16	UCNST207-21		3/4	1/2	2-1/8	1-11/32	7/8	2-5/8	5/16	3-1/2	4	4-5/8	1-19/32	29/32	2-15/16	1.453	1.689	UC207-21	NST207	3.53
1-3/8	UCNST207-22																	UC207-22		
1-7/16	UCNST207-23																	UC207-23		
1-1/2	UCNST208-24		3/4	5/8	2-5/8	1-37/64	1-1/8	2-15/16	5/16	4	4-1/2	5-1/8	1-13/16	31/32	3-1/4	1.673	1.937	UC208-24	NST208	5.51
1-9/16	UCNST208-25																	UC208-25		
1-5/8	UCNST209-26																	UC209-26		
1-11/16	UCNST209-27		3/4	5/8	2-5/8	1-37/64	1-1/8	3-1/8	5/16	4	4-1/2	5-7/16	1-13/16	1-1/32	3-7/16	1.705	1.937	UC209-27	NST209	5.29
1-3/4	UCNST209-28																	UC209-28		
1-7/8	UCNST210-30																	UC210-30		
1-15/16	UCNST210-31		3/4	5/8	2-5/8	1-37/64	1-1/8	3-5/16	5/16	4	4-1/2	5-11/16	1-13/16	1-1/16	3-9/16	1.814	2.031	UC210-31	NST210	5.29
2	UCNST210-32																	UC210-32		
2	UCNST211-32																	UC211-32		
2-1/8	UCNST211-34		1	3/4	3-1/4	1-15/16	1-3/8	3-11/16	5/16	5-1/8	5-3/4	6-15/32	2-1/8	1-1/8	4-1/8	1.878	2.189	UC211-34	NST211	9.04
2-3/16	UCNST211-35																	UC211-35		
2-1/4	UCNST212-36																	UC212-36		
2-3/8	UCNST212-38		1	3/4	3-1/4	1-15/16	1-3/8	4-1/16	5/16	5-1/8	5-3/4	7	2-1/8	1-3/16	4-7/16	2.157	2.563	UC212-38	NST212	11.02
2-7/16	UCNST212-39																	UC212-39		

Lubrication fitting tap size for 1" and smaller shaft sizes, 1/4-28 UNF; for all other sizes, 1/8-27 NPT

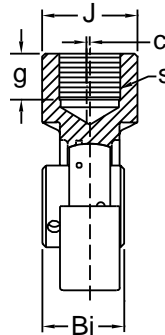
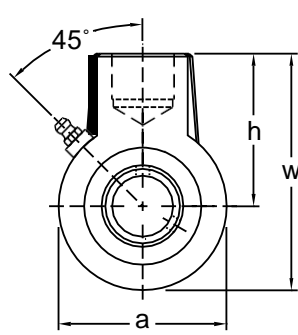
INTERCHANGES: UCTRS TU250W

UCECH 200

HANGER BEARING UNITS



NORMAL DUTY



**Set-Screw Locking
Wide Inner Ring
Cast Iron Housing
Insert detail-pg.112
Inch and Metric**

Shaft Diam. (in.)	AMI Unit #	List Price	Dimensions (in.)								Bearing #	Housing #	Weight (lb.)	
			a	w	h	J	s	g	Bi	c				
1/2	UCECH201-8											UC201-8		
5/8	UCECH202-10		2-3/4	3-7/8	2-1/2	1-9/16	PF3/4	3/4	1.220	0		UC202-10	ECH204	1.87
11/16	UCECH203-11											UC203-11		
3/4	UCECH204-12											UC204-12		
7/8	UCECH205-14											UC205-14		
15/16	UCECH205-15		2-3/4	3-7/8	2-1/2	1-9/16	PF3/4	3/4	1.339	0		UC205-15	ECH205	1.63
1	UCECH205-16											UC205-16		
1-1/16	UCECH206-17											UC206-17		
1-1/8	UCECH206-18											UC206-18		
1-3/16	UCECH206-19		3-1/8	4-1/8	2-1/2	1-9/16	PF3/4	3/4	1.500	0		UC206-19	ECH206	2.01
1-1/4	UCECH206-20											UC206-20		
1-1/4	UCECH207-20											UC207-20		
1-5/16	UCECH207-21		3-5/8	4-9/16	2-3/4	1-9/16	PF3/4	3/4	1.689	0		UC207-21	ECH207	2.64
1-3/8	UCECH207-22											UC207-22		
1-7/16	UCECH207-23											UC207-23		
1-1/2	UCECH208-24											UC208-24		
1-9/16	UCECH208-25		3-3/4	4-3/4	2-7/8	1-9/16	PF3/4	3/4	1.937	0.079		UC208-25	ECH208	3.09
1-5/8	UCECH209-26											UC209-26		
1-11/16	UCECH209-27		4-1/4	5-3/8	3-1/4	1-7/8	PF1	13/16	1.937	0.158		UC209-27	ECH209	3.97
1-3/4	UCECH209-28											UC209-28		
1-7/8	UCECH210-30											UC210-30		
1-15/16	UCECH210-31		4-1/2	5-1/2	3-1/4	1-7/8	PF1	13/16	2.031	0.197		UC210-31	ECH210	4.19
2	UCECH210-32											UC210-32		
2	UCECH211-32											UC211-32		
2-1/8	UCECH211-34		5-5/8	6-13/16	4	2-23/64	PF1-1/4	1-1/8	2.189	0.343		UC211-34	ECH211	8.19
2-3/16	UCECH211-35											UC211-35		
2-1/4	UCECH212-36											UC212-36		
2-3/8	UCECH212-38		5-5/8	6-13/16	4	2-23/64	PF1-1/4	1-1/8	2.563	0.343		UC212-38	ECH212	8.6
2-7/16	UCECH212-39											UC212-39		
2-1/2	UCECH213-40		6-3/4	7-7/8	4-5/8	2-3/4	PF1-1/2	1-1/4	2.563	0.374		UC213-40	ECH213	12.57
2-11/16	UCECH214-43											UC214-43		
2-3/4	UCECH214-44		6-3/4	7-7/8	4-5/8	2-3/4	PF1-1/2	1-1/4	2.937	0.374		UC214-44	ECH214	12.68
2-15/16	UCECH215-47											UC215-47		
3	UCECH215-48		6-3/4	7-7/8	4-5/8	2-3/4	PF1-1/2	1-1/4	3.063	0.374		UC215-48	ECH215	12.55
Dimensions (mm)														
20	UCECH204		70	99	64	40	PF3/4	19	31	0		UC204	ECH204	1.87
25	UCECH205		70	99	64	40	PF3/4	19	34	0		UC205	ECH205	1.65
30	UCECH206		80	104	64	40	PF3/4	19	38.1	0		UC206	ECH206	2.03
35	UCECH207		92	116	70	40	PF3/4	19	42.9	0		UC207	ECH207	2.68
40	UCECH208		96	121	73	40	PF3/4	19	49.2	2		UC208	ECH208	3.12
45	UCECH209		108	136	82	48	PF1	21	49.2	4		UC209	ECH209	4.01
50	UCECH210		114	140	83	48	PF1	21	51.6	5		UC210	ECH210	4.24
55	UCECH211		143	173	101.6	60	PF1-1/4	28.5	55.6	8.7		UC211	ECH211	8.22
60	UCECH212		143	173	101.6	60	PF1-1/4	28.5	65.1	8.7		UC212	ECH212	8.63
65	UCECH213		171	200	117.5	70	PF1-1/2	32	65.1	9.5		UC213	ECH213	12.61
70	UCECH214		171	200	117.5	70	PF1-1/2	32	74.6	9.5		UC214	ECH214	12.73
75	UCECH215		171	200	117.5	70	PF1-1/2	32	77.8	9.5		UC215	ECH215	12.61

Lubrication fitting tap size for 1" and smaller shaft sizes, 1/4-28 UNF; for all other sizes, 1/8-27 NPT

INTERCHANGES: RCH (Accu-Loc Style) UCHA MEHB UCH SEHB

UNITS WITH PRESSED STEEL COVERS

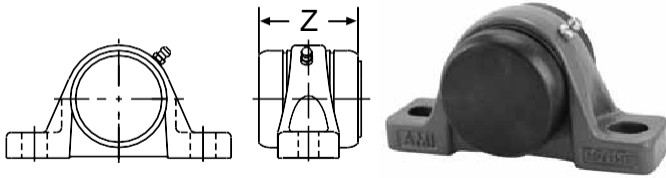
NO RIVAL DUTY

Shaft Diam. (mm)	Bore Size	Pillow Block						2 Bolt			4 Bolt			Flange Cartridge			Take-Up		
		UCP (pg. 13)			UCLP (pg. 18)			UCFL (pg. 31)			UCF (pg. 44)			UCFC (pg. 49)			UCST (pg. 56)		
		Z (in.)	Z (mm)	List Price	Z (in.)	Z (mm)	List Price	Z (in.)	Z (mm)	List Price	Z (in.)	Z (mm)	List Price	Z (in.)	Z (mm)	List Price	Z (in.)	Z (mm)	List Price
12	201																		
15	202	2.205	56	82.20	1.807	45.9	82.20	1.693	43	69.50	1.693	43	69.50	1.496	38	78.00	2.315	56	91.00
17	203																		
20	204	2.205	56	82.20	1.933	49.1	82.20	1.693	43	69.50	1.693	43	69.50	1.496	38	78.00	2.315	56	91.00
25	205	2.480	63	92.90	2.457	62.4	92.90	1.850	47	78.70	1.890	48	78.70	1.654	42	89.30	2.473	63	103.60
30	206	2.559	65	117.50	2.283	58.0	117.50	1.929	49	101.30	2.008	51	101.30	1.693	43	110.40	2.394	65	126.30
35	207	2.756	70	135.60	2.728	69.3	135.60	2.126	54	117.80	2.126	54	117.80	1.811	46	127.50	2.762	70	145.20
40	208	3.228	82	162.80	3.075	78.1	162.80	2.402	61	142.40	2.441	62	142.40	2.047	52	156.60	3.304	82	177.00
45	209	3.228	82	181.90	3.197	81.2	181.90	2.480	63	158.30	2.480	63	158.30	2.008	51	182.20	3.225	82	205.80
50	210	2.425	87	217.50	3.268	83.0	217.50	2.598	66	189.30	2.598	66	189.30	2.126	54	208.00	3.344	87	236.20
55	211	3.465	88	276.00	3.555	90.3	276.00	2.717	69	240.50	2.717	69	240.50	2.244	57	276.00	3.594	88	311.60
60	212	4.016	102	364.70	3.976	101.0	364.70	3.150	80	315.50	3.150	80	315.50	2.677	68	340.30	4.175	102	389.50
65	213	4.016	102	422.90	3.976	101.0	422.90	3.189	81	370.80	3.189	81	370.80	2.638	67	409.60	4.283	102	461.70

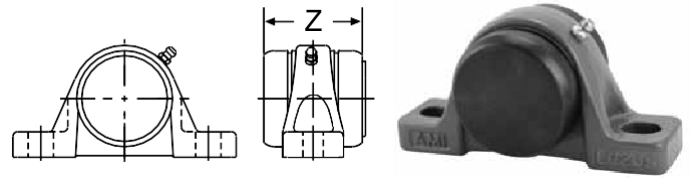
Example: UCP205C or UCP205CE; Open Cover (C) with Contact Seal, Closed Cover (CE)

Note: For Take-Up and Pillow Block Units: "C" suffix indicates 2 open pressed steel covers; "CE" suffix indicates 1 open and 1 closed cover. For more dimensional information, please refer to the page number that follows each unit above.

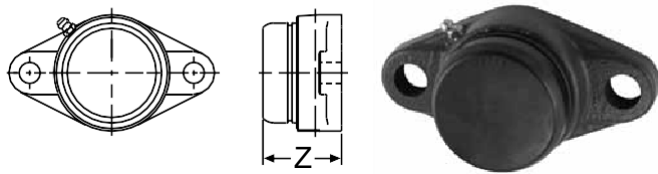
UCP 200 C(CE)



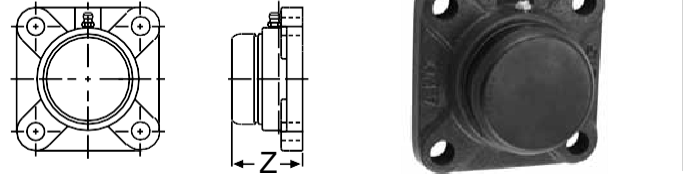
UCLP 200 C(CE)



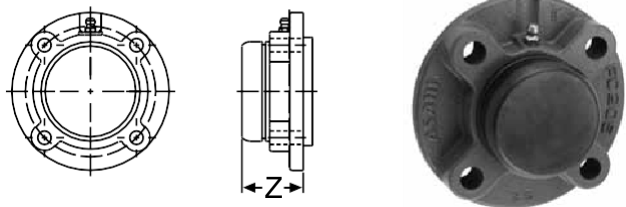
UCFL 200 C(CE)



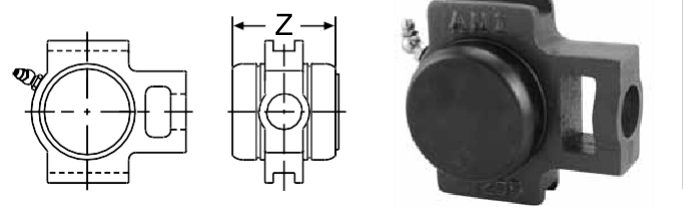
UCF 200 C(CE)



UCFC 200 C(CE)



UCT 200 C(CE)



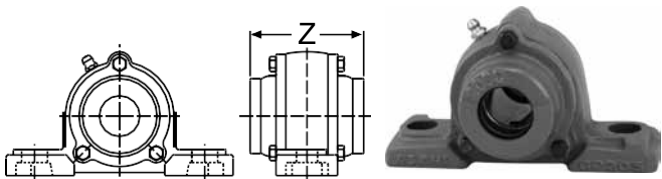
Shaft Diam. (mm)	Bore Size	Pillow Block CUCP			2 Bolt CUCFL			4 Bolt CUCF			Flange Cartridge CUCFC			Take-Up CUCT		
		Z (in.)	Z (mm)	List Price	Z (in.)	Z (mm)	List Price	Z (in.)	Z (mm)	List Price	Z (in.)	Z (mm)	List Price	Z (in.)	Z (mm)	List Price
		12	201													
15	202	2.441	62	121.60	1.811	46	89.00	1.811	46	89.00	1.614	41	97.70	2.441	62	130.40
17	203															
20	204	2.441	62	121.60	1.811	46	89.00	1.811	46	89.00	1.614	41	97.70	2.441	62	130.40
25	205	2.756	70	134.30	2.008	51	99.30	2.008	51	99.30	1.772	45	110.00	2.756	70	145.00
30	206	2.913	74	173.80	2.165	55	129.50	2.165	55	129.50	1.850	47	138.50	2.913	74	182.90
35	207	3.150	80	195.20	2.323	59	147.60	2.323	59	147.60	2.008	51	157.30	3.150	80	204.80
40	208	2.543	90	221.60	2.598	66	171.80	2.598	66	171.80	2.205	56	186.00	2.543	90	235.90
45	209	2.543	90	237.50	2.638	67	186.00	2.638	67	186.00	2.165	55	210.00	2.543	90	261.50
50	210	3.858	98	277.00	2.795	71	219.00	2.795	71	219.00	2.323	59	237.90	3.858	98	295.70
55	211	3.937	100	337.50	2.953	75	271.20	2.953	75	271.20	2.480	63	306.70	3.937	100	373.00
60	212	4.488	114	421.90	3.386	86	343.60	3.386	86	343.60	2.913	74	368.50	4.488	114	445.80
65	213	4.646	118	483.70	3.504	89	401.10	3.504	89	401.10	2.953	75	440.00	4.646	118	522.50
70	214	5.276	134	578.80	3.858	98	474.70	3.858	98	474.70	3.307	84	523.20	5.276	134	627.30
75	215	5.354	136	647.40	4.016	102	536.40	4.016	102	536.40	3.386	86	575.20	5.354	136	686.20
80	216	5.748	146	745.00	4.213	107	625.00	4.213	107	625.00	3.583	91	654.20	5.748	146	774.30
85	217	5.906	150	888.00	4.370	111	752.00	4.370	111	752.00	3.661	93	776.50	5.906	150	912.30
90	218	6.457	164	1090.00	4.803	122	932.00	4.803	122	932.00	4.094	104	969.00	-	-	-

Example: CUCP205C or CUCP205CE; Open Cover (C) with Contact Seal, Closed Cover (CE)

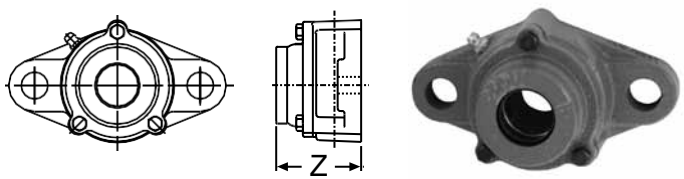
Note: For Take-Up and Pillow Block Units: "C" suffix indicates 2 open cast iron covers; "CE" suffix indicates 1 open and 1 closed cover.

For more dimensional information, please refer to the page number that follows each unit above.

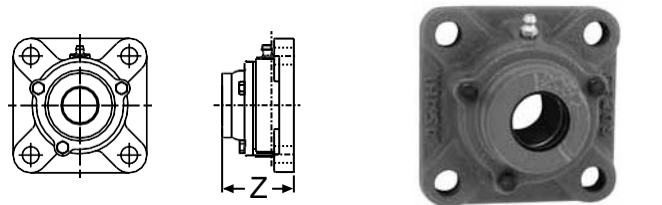
CUCP 200 C(CE)



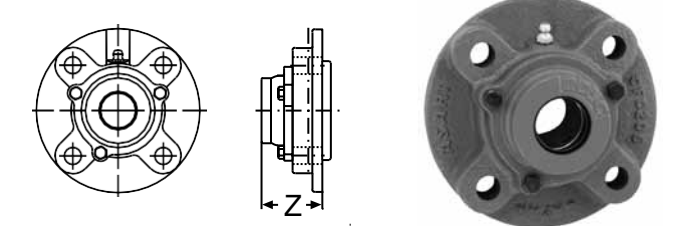
CUCFL 200 C(CE)



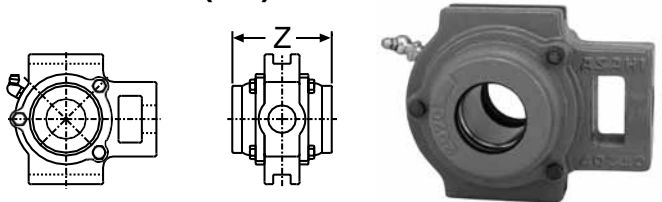
CUCF 200 C(CE)

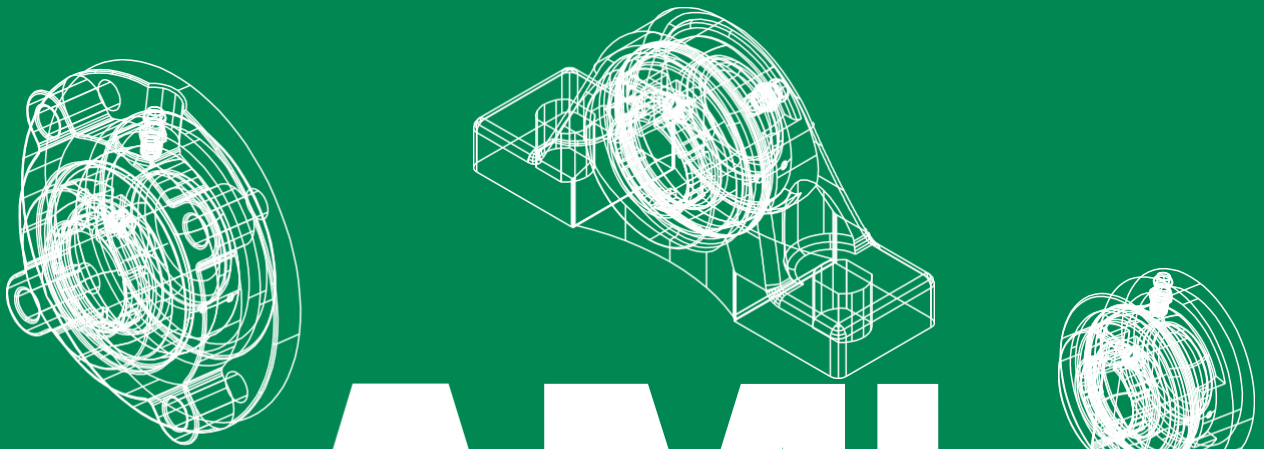


CUCFC 200 C(CE)



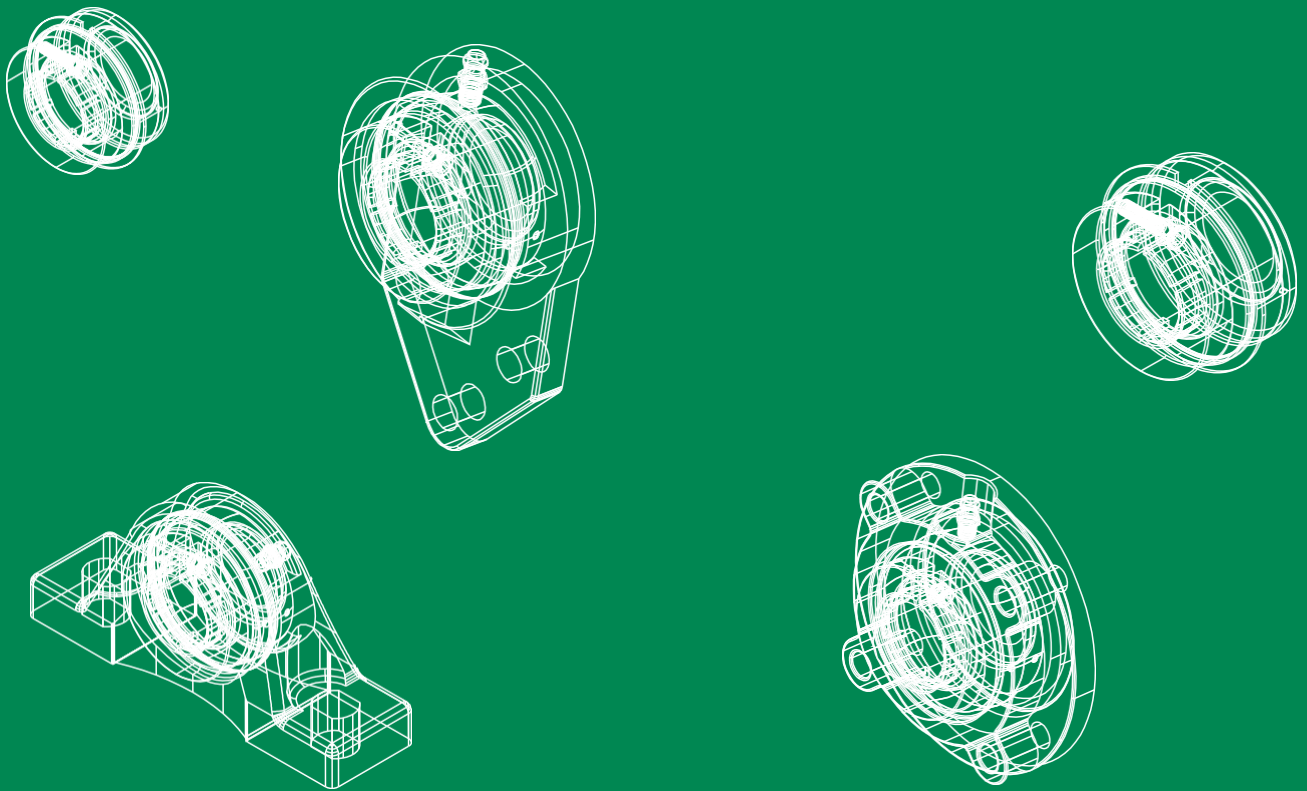
CUCT 200 C(CE)





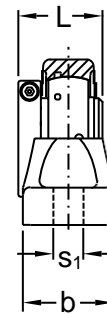
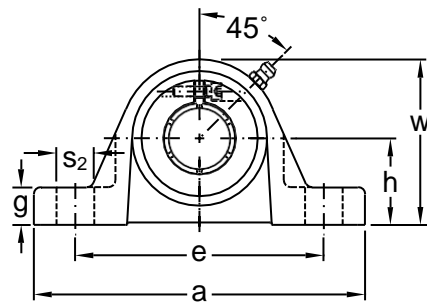
AMI

Accu-Loc[®]





NORMAL DUTY



Concentric Locking
52100 Bearing Steel
w/Black Oxide Finish
Cast Iron Housing
Insert detail-pg.120
Inch and Metric

Shaft Diam. (in.)	AMI Unit #	List Price	Dimensions (in.)											Bolt Size (in.)	Bearing #	Housing #	Weight (lb.)
			h	a	e		b	s1	s2	g	w	L					
3/4	UEP204-12		1-5/16	5	3-3/8	4-1/8	1-1/2	1/2	3/4	19/32	2-9/16	1.299	3/8	UE204-12	P204T	1.59	
7/8	UEP205-14		1-7/16	5-1/2	3-3/4	4-1/2	1-1/2	1/2	3/4	5/8	2-3/4	1.394	3/8	UE205-14	P205T	1.94	
15/16	UEP205-15													UE205-15			
1	UEP205-16													UE205-16			
1-1/8	UEP206-18		1-11/16	6-1/2	4-7/16	5-1/16	1-7/8	21/32	13/16	23/32	3-9/32	1.567	1/2	UE206-18	P206T	3.09	
1-3/16	UEP206-19													UE206-19			
1-1/4	UEP206-20													UE206-20			
1-1/4	UEP207-20		1-7/8	6-9/16	4-11/16	5-5/16	1-7/8	21/32	13/16	3/4	3-11/16	1.728	1/2	UE207-20	P207T	3.86	
1-3/8	UEP207-22													UE207-22			
1-7/16	UEP207-23													UE207-23			
1-1/2	UEP208-24		1-15/16	7-1/4	4-7/8	5-7/8	2-1/8	21/32	1	3/4	3-15/16	1.976	1/2	UE208-24	P208T	4.74	
1-11/16	UEP209-27		2-1/8	7-1/2	5-3/8	6-1/8	2-1/8	21/32	7/8	25/32	4-1/4	1.976	1/2	UE209-27	P209T	5.74	
1-3/4	UEP209-28													UE209-28			
1-15/16	UEP210-31		2-1/4	8-1/8	5-7/8	6-5/8	2-3/8	25/32	1	7/8	4-1/2	2.071	5/8	UE210-31	P210T	6.57	
2	UEP210-32													UE210-32			
2	UEP211-32		2-1/2	8-5/8	6-3/8	7-1/8	2-3/8	25/32	1	7/8	4-31/32	2.228	5/8	UE211-32	P211T	8.13	
2-3/16	UEP211-35													UE211-35			
2-7/16	UEP212-39		2-3/4	9-1/2	6-7/8	7-5/8	2-3/4	25/32	1	1	5-7/16	2.622	5/8	UE212-39	P212T	11.70	
Dimensions (mm)																	
20	UEP204		33.3	127	86	105	38	13	19	15	65	33.0	M10	UE204	P204T	1.61	
25	UEP205		36.5	140	95	114	38	13	19	16	70	35.4	M10	UE205	P205T	1.96	
30	UEP206		42.9	165	113	129	48	17	21	18	83	39.8	M14	UE206	P206T	3.12	
35	UEP207		47.6	167	119	135	48	17	21	19	94	43.9		UE207	P207T	3.90	
40	UEP208		49.2	184	124	149	54	17	25	19	100	50.2	M14	UE208	P208T	4.79	
45	UEP209		54.0	190	137	156	54	17	22	20	108	50.2		UE209	P209T	5.52	
50	UEP210		57.2	206	149	168	60	20	25	22	114	52.6		UE210	P210T	6.64	
55	UEP211		63.5	219	162	181	60	20	25	22	126	56.6	M16	UE211	P211T	8.22	
60	UEP212		69.8	241	175	194	70	20	25	25	138	66.6		UE212	P212T	11.84	

Lubrication fitting tap size for 1" and smaller shaft sizes, 1/4-28 UNF; for all other sizes, 1/8-27 NPT

INTERCHANGES: VPB-2 P2B-DL RASC KC-45 NP-T

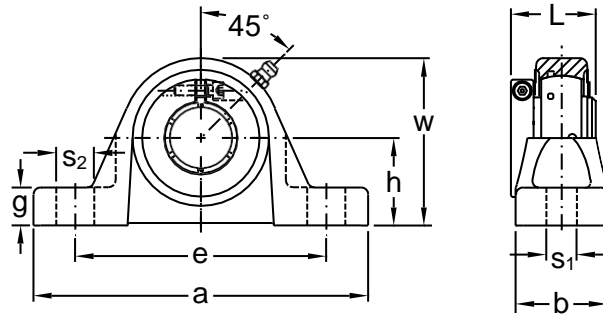


ACCU-LOC LOW BASE PILLOW BLOCKS

UELP 200

NORMAL DUTY

Concentric Locking
52100 Bearing Steel
w/Black Oxide Finish
Cast Iron Housing
Low Shaft Height
Insert detail-pg.120
Inch and Metric



Shaft Diam. (in.)	AMI Unit #	List Price	Dimensions (in.)										Bolt Size (in.)	Bearing #	Housing #	Weight (lb.)
			h	a	e		b	s1	s2	g	w	L				
3/4	UELP204-12		1-1/4	5-1/4	3-1/2	4-1/4	1-1/4	1/2	3/4	1/2	2-9/16	1.299	3/8	UE204-12	LP204	1.64
7/8	UELP205-14													UE205-14		
15/16	UELP205-15		1-5/16	5-1/2	3-3/4	4-1/2	1-1/2	1/2	3/4	5/8	2-11/16	1.394	3/8	UE205-15	LP205	1.96
1	UELP205-16													UE205-16		
1-1/8	UELP206-18													UE206-18		
1-3/16	UELP206-19		1-9/16	6-1/2	4-1/2	5-1/4	1-5/8	19/32	7/8	11/16	3-3/16	1.567	1/2	UE206-19	LP206	2.86
1-1/4	UELP206-20													UE206-20		
1-1/4	UELP207-20													UE207-20		
1-3/8	UELP207-22		1-13/16	7	5	5-3/4	1-7/8	19/32	7/8	3/4	3-11/16	1.728	1/2	UE207-22	LP207	4.52
1-7/16	UELP207-23													UE207-23		
1-1/2	UELP208-24		1-15/16	7-1/4	5-1/4	6	2	19/32	7/8	13/16	3-15/16	1.976	1/2	UE208-24	LP208	5.18
1-11/16	UELP209-27													UE209-27		
1-3/4	UELP209-28		2-1/16	7-3/4	5-1/2	6-1/2	2-1/8	19/32	1	13/16	4-3/16	1.976	1/2	UE209-28	LP209	5.68
1-15/16	UELP210-31													UE210-31		
2	UELP210-32		2-3/16	8-3/8	6	7	2-1/4	19/32	1	7/8	4-7/16	2.071	1/2	UE210-32	LP210	7.01
2	UELP211-32													UE211-32		
2-3/16	UELP211-35		2-7/16	9-1/4	6-5/8	7-5/8	2-1/2	3/4	1-1/8	1	4-15/16	2.228	5/8	UE211-35	LP211	9.68
2-7/16	UELP212-39		2-11/16	9-3/4	7-1/8	8-1/8	2-3/4	3/4	1-1/8	1-1/8	5-7/16	2.622	5/8	UE212-39	LP212	13.02
Dimensions (mm)																
20	UELP204		31.8	133	89	108	32	12	19	13	65	33.0	M10	UE204	LP204	1.64
25	UELP205		33.3	140	95	114	38	12	19	16	68	35.4	M10	UE205	LP205	1.96
30	UELP206		39.7	165	114	133	41	15	22	17	81	39.8	M12	UE206	LP206	2.86
35	UELP207		46.0	178	127	146	48	15	22	19	94	43.9		UE207	LP207	4.52
40	UELP208		49.2	184	133	152	51	15	22	21	100	50.2	M12	UE208	LP208	5.18
45	UELP209		52.4	197	140	165	54	15	25	21	106	50.2		UE209	LP209	5.68
50	UELP210		55.6	213	152	178	57	15	25	22	113	52.6	M12	UE210	LP210	7.01
55	UELP211		61.9	235	168	194	64	19	29	25	125	56.6	M16	UE211	LP211	9.68
60	UELP212		68.3	248	181	206	70	19	29	29	138	66.6	M16	UE212	LP212	13.02

Lubrication fitting tap size for 1" and smaller shaft sizes, 1/4-28 UNF; for all other sizes, 1/8-27 NPT

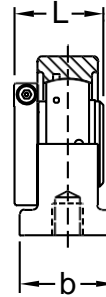
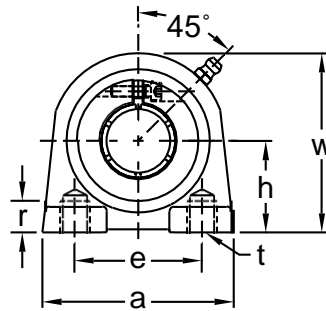
INTERCHANGES: VPLB-2 P2B-DBL KCL-45 NPL-T

UETB / UEPA 200

ACCU-LOC TAP BASE PILLOW BLOCKS



NORMAL DUTY



Concentric Locking
52100 Bearing Steel
w/Black Oxide Finish
Cast Iron Housing
Insert detail-pg.120
Inch and Metric

Shaft Diam. (in.)	AMI Unit #	List Price	Dimensions (in.)							Bolt Holes UNC Thread t (in.)	Bearing #	Housing #	Weight (lb.)
			h	a	e	b	r	w	L				
3/4	UETB204-12		1-5/16	2-7/8	2	1-1/2	1/2	2-9/16	1.299	3/8-16	UE204-12	TB204	1.59
7/8	UETB205-14		1-7/16	3	2	1-1/2	1/2	2-13/16	1.394	3/8-16	UE205-14	TB205	1.99
15/16	UETB205-15	UE205-15											
1	UETB205-16		1-11/16	4	3	1-1/2	5/8	3-3/8	1.567	7/16-14	UE205-16	TB206	2.87
1-1/8	UETB206-18	UE206-18											
1-3/16	UETB206-19	UE206-19											
1-1/4	UETB206-20		1-7/8	4-1/4	3-1/4	1-7/8	3/4	3-3/4	1.728	1/2-13	UE206-20	TB207	4.06
1-1/4	UETB207-20	UE207-20											
1-3/8	UETB207-22	UE207-22											
1-7/16	UETB207-23		1-15/16	4-5/8	3-1/2	1-7/8	3/4	3-15/16	1.976	1/2-13	UE207-23	TB208	4.52
1-1/2	UETB208-24	UE208-24											
1-11/16	UETB209-27		2-1/8	5	3-3/4	2	3/4	4-1/4	1.976	1/2-13	UE209-27	TB209	5.24
1-3/4	UETB209-28	UE209-28											
1-15/16	UETB210-31		2-1/4	5-1/2	4	2	7/8	4-5/8	2.071	5/8-11	UE210-31	TB210	6.35
2	UETB210-32	UE210-32											
Dimensions (mm)													
20	UEPA204		30.2	76	52	38	12	62	33.0	M10	UE204	PA204	1.50
25	UEPA205		36.5	84	56	38	15	72	35.4	M10	UE205	PA205	2.01
30	UEPA206		42.9	94	66	48	18	84	39.8	M14	UE206	PA206	2.90
35	UEPA207		47.6	110	80	48	20	95	43.9		UE207	PA207	4.12
40	UEPA208		49.2	116	84	54	20	100	50.2	M14	UE208	PA208	4.57
45	UEPA209		54.2	120	90	54	25	108	50.2		UE209	PA209	5.30
50	UEPA210		57.2	130	94	60	25	116	52.6	M16	UE210	PA210	6.42

Lubrication fitting tap size for 1" and smaller shaft sizes, 1/4-28 UNF; for all other sizes, 1/8-27 NPT

INTERCHANGES: VTBB | TB-DL | KTBC-45 | TB-T

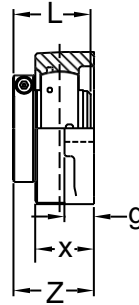
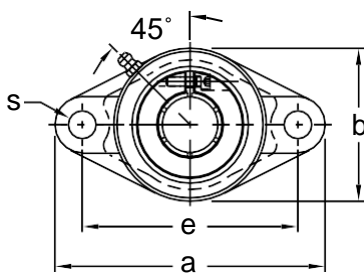


ACCU-LOC TWO BOLT FLANGE UNITS

UEFT 200

NORMAL DUTY

Concentric Locking
52100 Bearing Steel
w/Black Oxide Finish
Cast Iron Housing
Insert detail-pg.120
Inch and Metric



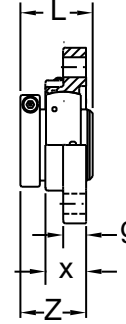
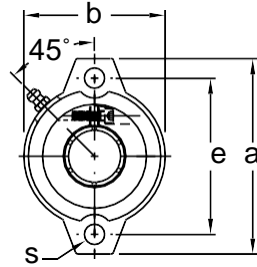
Shaft Diam. (in.)	AMI Unit #	List Price	Dimensions (in.)									Bolt Size (in.)	Bearing #	Housing #	Weight (lb.)
			a	e	g	x	s	b	Z	L					
3/4	UEFT204-12		4-13/32	3-17/32	7/16	31/32	13/32	2-3/8	1.362	1.299	3/8	UE204-12	FT204	1.17	
7/8	UEFT205-14											UE205-14			
15/16	UEFT205-15		4-7/8	3-57/64	17/32	1-1/16	1/2	2-3/4	1.456	1.394	7/16	UE205-15	FT205	1.61	
1	UEFT205-16											UE205-16			
1-1/8	UEFT206-18											UE206-18			
1-3/16	UEFT206-19		5-9/16	4-19/32	17/32	1-3/16	1/2	3-1/4	1.644	1.567	7/16	UE206-19	FT206	2.34	
1-1/4	UEFT206-20											UE206-20			
1-1/4	UEFT207-20											UE207-20			
1-3/8	UEFT207-22		6-1/8	5-1/8	9/16	1-11/32	35/64	3-3/4	1.789	1.728	1/2	UE207-22	FT207	3.41	
1-7/16	UEFT207-23											UE207-23			
1-1/2	UEFT208-24		6-3/4	5-21/32	9/16	1-1/2	35/64	4-1/8	2.056	1.976	1/2	UE208-24	FT208	4.30	
1-11/16	UEFT209-27											UE209-27			
1-3/4	UEFT209-28		7-1/16	5-27/32	9/16	1-9/16	5/8	4-3/8	2.087	1.976	9/16	UE209-28	FT209	4.80	
1-15/16	UEFT210-31											UE210-31			
2	UEFT210-32		7-7/16	6-3/16	9/16	1-9/16	5/8	4-9/16	2.198	2.071	9/16	UE210-32	FT210	5.25	
2	UEFT211-32											UE211-32			
2-3/16	UEFT211-35		8-1/2	7-1/4	13/16	1-3/4	21/32	5-1/4	2.354	2.228	5/8	UE211-35	FT211	7.91	
2-7/16	UEFL212-39		9-13/16	7-61/64	25/32	1-7/8	29/32	5-1/2	2.764	2.622	7/8	UE212-39	FL212	10.38	
Dimensions (mm)															
20	UEFT204		112	89.7	11	25	10.5	60	34.6	33.0	M8	UE204	FT204	1.19	
25	UEFT205		124	98.8	13	27	12.5	70	36.9	35.4	M10	UE205	FT205	1.63	
30	UEFT206		141	116.7	13	30	12.5	83	41.7	39.8	M10	UE206	FT206	2.36	
35	UEFT207		156	130.2	14	34	14	95	45.4	43.9	M12	UE207	FT207	3.45	
40	UEFT208		171	143.7	14	38	14	105	52.2	50.2	M12	UE208	FT208	4.34	
45	UEFT209		179	148.4	14	40	16	111	53.0	50.2	M14	UE209	FT209	4.85	
50	UEFT210		189	157.2	14	40	16	116	55.8	52.6	M14	UE210	FT210	5.30	
55	UEFT211		216	184.2	21	44	17	133	59.8	56.6	M16	UE211	FT211	8.00	
60	UEFL212		250	202	20	48	23	140	70.2	66.6	M22	UE212	FL212	10.48	

Lubrication fitting tap size for 1" and smaller shaft sizes, 1/4-28 UNF; for all other sizes, 1/8-27 NPT

INTERCHANGES: VF2B F2B-DL KFC2-45 SFT-T



NORMAL DUTY



Concentric Locking
52100 Bearing Steel
w/Black Oxide Finish
Cast Iron Housing
Insert detail-pg.120
Inch and Metric

Shaft Diam. (in.)	AMI Unit #	List Price	Dimensions (in.)								Bolt Size (in.)	Bearing #	Housing #	Weight (lb.)
			a	e	g	x	s	b	Z	L				
3/4	UELFL204-12		3-9/16	2-13/16	7/16	25/32	25/64	2-15/32	1.232	1.299	5/16	UE204-12	LFL4	0.92
7/8	UELFL205-14		3-3/4	3	7/16	25/32	25/64	2-23/32	1.264	1.394	5/16	UE205-14	LFL5	1.07
15/16	UELFL205-15	UE205-15												
1	UELFL205-16	UE205-16												
1-1/8	UELFL206-18		4-7/16	3-9/16	15/32	7/8	15/32	3-3/32	1.413	1.567	3/8	UE206-18	LFL6	1.58
1-3/16	UELFL206-19	UE206-19												
1-1/4	UELFL206-20	UE206-20												
1-1/4	UELFL207-20		4-13/16	3-15/16	1/2	15/16	15/32	3-1/2	1.551	1.728	3/8	UE207-20	LFL7	2.02
1-3/8	UELFL207-22	UE207-22												
1-7/16	UELFL207-23	UE207-23												
Dimensions (mm)														
20	UELFL204		90	71.5	11	20	10	63	31.3	33.0	M8	UE204	LFL4	0.92
25	UELFL205		95	76	11	20	10	69	32.1	35.4	M8	UE205	LFL5	1.07
30	UELFL206		113	90.5	12	22.5	12	79	35.9	39.8	M10	UE206	LFL6	1.58
35	UELFL207		122	100	13	24	12	89	39.4	43.9	M10	UE207	LFL7	2.02

Lubrication fitting tap size for 1" and smaller shaft sizes, 1/4-28 UNF; for all other sizes, 1/8-27 NPT

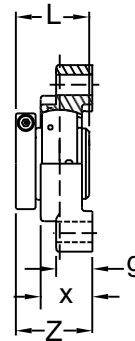
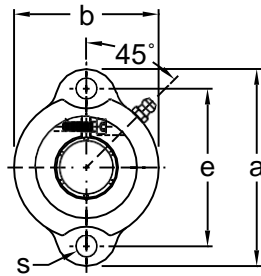


ACCU-LOC TWO-BOLT FLANGE UNITS

UETFT 200

NORMAL DUTY

Concentric Locking
52100 Bearing Steel
w/Black Oxide Finish
Cast Iron Housing
Insert detail-pg.120
Inch and Metric



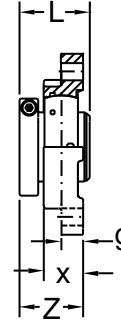
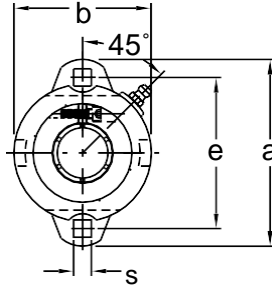
Shaft Diam. (in.)	AMI Unit #	List Price	Dimensions (in.)								Bolt Size (in.)	Bearing #	Housing #	Weight (lb.)	
			a	e	g	x	s	b	Z	L					
7/8	UETFT205-14												UE205-14		
15/16	UETFT205-15		3-3/4	3	11/16	63/64	25/64	2-3/4	1.456	1.394	3/8	UE205-15	TFT205	1.3	
1	UETFT205-16											UE205-16			
1-1/8	UETFT206-18											UE206-18			
1-3/16	UETFT206-19		4-7/16	3-9/16	13/16	1-1/8	25/64	3-1/4	1.629	1.567	3/8	UE206-19	TFT206	2.3	
1-1/4	UETFT206-20											UE206-20			
1-1/4	UETFT207-20											UE207-20			
1-3/8	UETFT207-22		4-7/8	3-15/16	7/8	1-7/32	25/64	3-11/16	1.789	1.728	3/8	UE207-22	TFT207	3.0	
1-7/16	UETFT207-23											UE207-23			
Dimensions (mm)															
25	UETFT205		95.3	76.2	17.5	25.0	10	70.0	37.0	35.4		UE205	TFT205	1.3	
30	UETFT206		112.7	90.5	20.6	28.6	10	82.6	41.4	39.8	M8	UE206	TFT206	2.3	
35	UETFT207		123.8	100	22.2	31.0	10	93.7	45.4	43.9		UE207	TFT207	3.0	

Lubrication fitting tap size for 1" and smaller shaft sizes, 1/4-28 UNF; for all other sizes, 1/8-27 NPT

INTERCHANGES: TFT-T



NORMAL DUTY



Concentric Locking
52100 Bearing Steel
w/Black Oxide Finish
Malleable Cast Housing
Insert detail-pg.120
Inch and Metric

Shaft Diam. (in.)	AMI Unit #	List Price	Dimensions (in.)								Bolt Size (in.)	Bearing #	Housing #	Weight (lb.)
			a	e	g	x	s	b	Z	L				
3/4	UEFX204-12		3-9/16	2-13/16	27/64	25/32	11/32	2-15/32	1.232	1.299	5/16	UE204-12	FX204	0.92
7/8	UEFX205-14		3-3/4	3	27/64	25/32	11/32	2-1/2	1.264	1.394	5/16	UE205-14	FX205	1.07
15/16	UEFX205-15	UE205-15												
1	UEFX205-16											UE205-16		
1-1/8	UEFX206-18		4-7/16	3-9/16	15/32	7/8	13/32	3-3/32	1.413	1.567	3/8	UE206-18	FX206	1.58
1-3/16	UEFX206-19	UE206-19												
1-1/4	UEFX206-20											UE206-20		
1-1/4	UEFX207-20		4-13/16	3-15/16	1/2	15/16	13/32	3-1/2	1.551	1.728	3/8	UE207-20	FX207	2.02
1-3/8	UEFX207-22	UE207-22												
1-7/16	UEFX207-23											UE207-23		
Dimensions (mm)														
20	UEFX204		90	71	11	20	9	63	31.3	33.0	M8	UE204	FX204	0.92
25	UEFX205		95	76	11	20	9	63.5	32.1	35.4	M8	UE205	FX205	1.07
30	UEFX206		113	90	12	22.5	10.3	78.6	35.9	39.8	M10	UE206	FX206	1.58
35	UEFX207		122	100	13	24	10.3	89	39.4	43.9	M10	UE207	FX207	2.02

Lubrication fitting tap size for 1" and smaller shaft sizes, 1/4-28 UNF; for all other sizes, 1/8-27 NPT

INTERCHANGES: LFT-DL

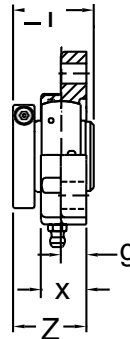
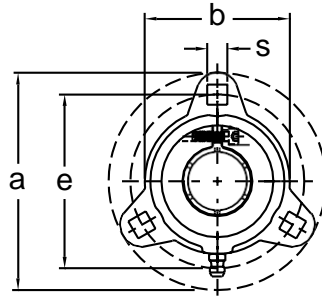


ACCU-LOC THREE-BOLT FLANGE UNITS

UETM 200

NORMAL DUTY

Concentric Locking
52100 Bearing Steel
w/Black Oxide Finish
Malleable Cast Housing
Insert detail-pg.120
Inch and Metric



Shaft Diam. (in.)	AMI Unit #	List Price	Dimensions (in.)								Bolt Size (in.)	Bearing #	Housing #	Weight (lb.)
			a	e	g	x	s	b	Z	L				
3/4	UETM204-12		3-9/16	2-13/16	7/16	25/32	11/32	2-1/4	1.228	1.299	5/16	UE204-12	TM204	0.85
7/8	UETM205-14		3-3/4	3	7/16	25/32	11/32	2-1/2	1.264	1.394	5/16	UE205-14	TM205	0.97
15/16	UETM205-15	UE205-15												
1	UETM205-16	UE205-16												
1-1/8	UETM206-18		4-7/16	3-9/16	15/32	27/32	13/32	2-15/16	1.382	1.567	3/8	UE206-18	TM206	1.35
1-3/16	UETM206-19	UE206-19												
1-1/4	UETM206-20	UE206-20												
1-1/4	UETM207-20		4-13/16	3-15/16	1/2	29/32	13/32	3-3/8	1.496	1.728	3/8	UE207-20	TM207	1.85
1-3/8	UETM207-22	UE207-22												
1-7/16	UETM207-23	UE207-23												
Dimensions (mm)														
20	UETM204		90	71	11	20	9	57	31.2	33.0	M8	UE204	TM204	0.85
25	UETM205		95	76	11	20	9	63	32.1	35.4	M8	UE205	TM205	0.97
30	UETM206		113	90	12	21	10	74	35.1	39.8	M10	UE206	TM206	1.35
35	UETM207		122	100	12	23	10	85	38.0	43.9	M10	UE207	TM207	1.85

Lubrication fitting tap size for 1" and smaller shaft sizes, 1/4-28 UNF; for all other sizes, 1/8-27 NPT

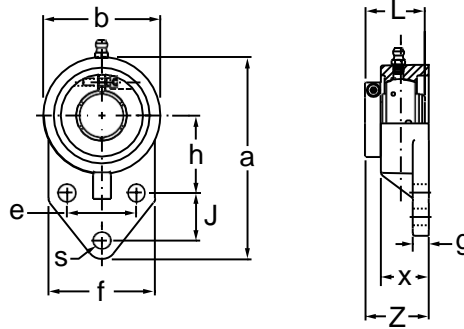
INTERCHANGES: LF-DL

UEFB / UEFK 200

ACCU-LOC THREE-BOLT FLANGE BRACKET UNITS



NORMAL DUTY



Concentric Locking
52100 Bearing Steel
w/Black Oxide Finish
Cast Iron Housing
Insert detail-pg.120
Inch and Metric

Shaft Diam. (in.)	AMI Unit #	List Price	Dimensions (in.)											Bolt Size (in.)	Bearing #	Housing #	Weight (lb.)
			a	h	e	J	g	x	s	b	f	Z	L				
3/4	UEFB204-12		4-1/4	1-11/16	1-1/2	7/8	5/16	1	25/64	2-1/2	2-3/8	1.424	1.299	3/8	UE204-12	FB204	1.66
7/8	UEFB205-14		4-3/4	1-13/16	1-5/8	1-1/8	1/2	1-1/8	25/64	2-3/4	2-1/2	1.487	1.394	3/8	UE205-14	FB205	2.20
15/16	UEFB205-15	UE205-15															
1	UEFB205-16	UE205-16															
1-1/8	UEFB206-18		5-3/8	2-1/16	1-7/8	1-1/4	1/2	1-1/4	25/64	3-1/4	2-3/4	1.675	1.567	3/8	UE206-18	FB206	2.72
1-3/16	UEFB206-19	UE206-19															
1-1/4	UEFB206-20	UE206-20															
1-1/4	UEFB207-20		6-1/8	2-3/8	2	1-1/4	1/2	1-7/16	33/64	3-3/4	3-1/4	1.867	1.728	1/2	UE207-20	FB207	3.23
1-3/8	UEFB207-22	UE207-22															
1-7/16	UEFB207-23	UE207-23															
1-1/2	UEFB208-24		6-15/32	2-3/8	1-31/32	1-5/8	5/8	1-13/32	15/32	3-15/16	3-1/16	2.056	1.976	7/16	UE208-24	FB208	3.83
1-11/16	UEFB209-27		6-27/32	2-9/16	2-1/8	1-11/16	23/32	1-1/2	15/32	4-3/16	3-5/32	2.087	1.976	7/16	UE209-27	FB209	5.29
1-3/4	UEFB209-28	UE209-28															
1-15/16	UEFB210-31		7-1/2	2-15/16	2-3/4	1-5/8	1/2	1-1/2	33/64	4-5/8	4	2.182	2.071	1/2	UE210-31	FB210	6.02
2	UEFB210-32	UE210-32															
Dimensions (mm)																	
20	UEFK204		110	42	32	27	13	25.5	10	62	52	35.3	33.0		UE204	FK204	1.39
25	UEFK205		116	45	34	27	13	27	10	68	56	37.1	35.4	M8	UE205	FK205	1.67
30	UEFK206		130	50	40	29	13	31	10	78	65	41.9	39.8		UE206	FK206	2.29
35	UEFK207		144	55	46	32	15	34	10	90	70	45.4	43.9	M8	UE207	FK207	3.23
40	UEFK208		164	60	50	41	16	36	12	100	78	52.2	50.2	M10	UE208	FK208	4.12
45	UEFK209		174	65	54	43	18	38	12	106	80	53.2	50.2	M10	UE209	FK209	4.63
50	UEFK210		184	68	58	46	18	40	12	112	86	55.6	52.6	M10	UE210	FK210	5.53

Lubrication fitting tap size for 1" and smaller shaft sizes, 1/4-28 UNF; for all other sizes, 1/8-27 NPT

INTERCHANGES: VFBB | FB-DL | KMFB-45 | FB-T

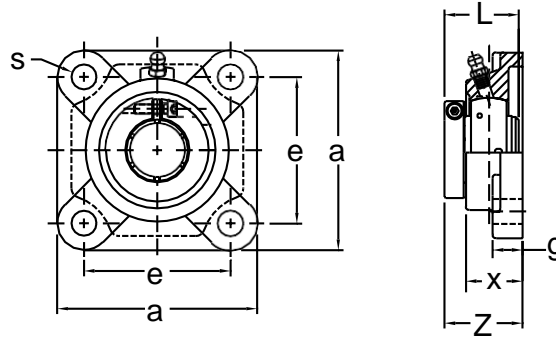


ACCU-LOC FOUR-BOLT FLANGE UNITS

UEF 200

NORMAL DUTY

Concentric Locking
52100 Bearing Steel
w/Black Oxide Finish
Cast Iron Housing
Insert detail-pg.120
Inch and Metric



Shaft Diam. (in.)	AMI Unit #	List Price	Dimensions (in.)							Bolt Size (in.)	Bearing #	Housing #	Weight (lb.)
			a	e	g	x	s	Z	L				
3/4	UEF204-12		3-3/8	2-1/2	15/32	1	7/16	1.390	1.299	3/8	UE204-12	F204	1.46
7/8	UEF205-14										UE205-14		
15/16	UEF205-15		3-3/4	2-3/4	9/16	1-1/16	15/32	1.461	1.394	7/16	UE205-15	F205	2.01
1	UEF205-16										UE205-16		
1-1/8	UEF206-18										UE206-18		
1-3/16	UEF206-19		4-1/4	3-1/4	9/16	1-7/32	15/32	1.650	1.567	7/16	UE206-19	F206	2.64
1-1/4	UEF206-20										UE206-20		
1-1/4	UEF207-20										UE207-20		
1-3/8	UEF207-22		4-5/8	3-5/8	5/8	1-11/32	17/32	1.787	1.728	1/2	UE207-22	F207	3.64
1-7/16	UEF207-23										UE207-23		
1-1/2	UEF208-24		5-1/8	4	5/8	1-13/32	17/32	2.055	1.976	1/2	UE208-24	F208	4.74
1-11/16	UEF209-27										UE209-27		
1-3/4	UEF209-28		5-3/8	4-1/8	23/32	1-1/2	19/32	2.094	1.976	9/16	UE209-28	F209	5.68
1-15/16	UEF210-31										UE210-31		
2	UEF210-32		5-5/8	4-3/8	23/32	1-9/16	19/32	2.189	2.071	9/16	UE210-32	F210	6.13
2	UEF211-32										UE211-32		
2-3/16	UEF211-35		6-3/8	5-1/8	25/32	1-11/16	21/32	2.338	2.228	5/8	UE211-35	F211	8.35
2-7/16	UEF212-39		6-7/8	5-5/8	25/32	1-7/8	21/32	2.764	2.622	5/8	UE212-39	F212	11.48
Dimensions (mm)													
20	UEF204		86	64	12	25.4	11	35.3	33.0	M10	UE204	F204	1.48
25	UEF205		95	70	14	27	12	37.1	35.4	M10	UE205	F205	2.03
30	UEF206		108	83	14	31	12	41.9	39.8	M10	UE206	F206	2.67
35	UEF207		117	92	16	34	13.5	45.4	43.9	M12	UE207	F207	3.68
40	UEF208		130	102	16	36	13.5	52.2	50.2	M12	UE208	F208	4.79
45	UEF209		137	105	18	38	15	53.2	50.2	M14	UE209	F209	5.74
50	UEF210		143	111	18	40	15	55.6	52.6	M14	UE210	F210	6.20
55	UEF211		162	130	20	43	17	59.4	56.6	M16	UE211	F211	8.44
60	UEF212		175	143	20	48	17	70.2	66.6	M16	UE212	F212	11.64

Lubrication fitting tap size for 1" and smaller shaft sizes, 1/4-28 UNF; for all other sizes, 1/8-27 NPT

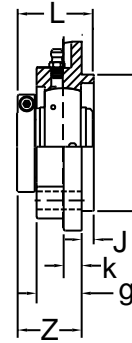
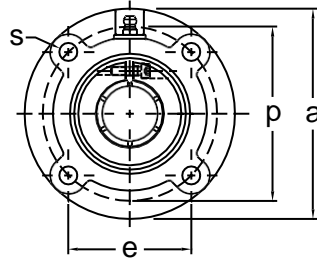
INTERCHANGES: VF4B F4B-DL KFC4-45 SF-T



NORMAL DUTY



SealMaster® Style



Concentric Locking
52100 Bearing Steel
w/Black Oxide Finish
Cast Iron Housing
Insert detail-pg.120
Inch and Metric

Shaft Diam. (in.)	AMI Unit #	List Price	Dimensions (in.)										Bolt Size (in.)	Bearing #	Housing #	Weight (lb.)	
			a	p	e	s	J	k	g	f	Z	L					
1-1/8	UEFCS206-18														UE206-18		
1-3/16	UEFCS206-19		4-3/8	3-5/8	2.559	3/8	1/4	23/64	15/16	3.000	1.335	1.567	5/16	UE206-19	FCSX05	2.44	
1-1/4	UEFCS206-20													UE206-20			
1-1/4	UEFCS207-20													UE207-20			
1-3/8	UEFCS207-22		5	4-1/8	2.921	15/32	3/8	25/64	7/8	3.375	1.354	1.728	3/8	UE207-22	FCSX06	3.34	
1-7/16	UEFCS207-23													UE207-23			
1-1/2	UEFCS208-24		5-1/4	4-3/8	3.091	15/32	7/16	7/16	1-1/32	3.625	1.582	1.976	7/16	UE208-24	FCSX07	3.93	
1-11/16	UEFCS209-27													UE209-27			
1-3/4	UEFCS209-28		6-1/8	5-1/8	3.625	17/32	15/32	29/64	7/8	4.250	1.447	1.976	1/2	UE209-28	FCF209	4.15	
1-15/16	UEFCS210-31													UE210-31			
2	UEFCS210-32		6-1/8	5-1/8	3.618	35/64	15/32	7/16	1	4.250	1.638	2.071	1/2	UE210-32	FCSX09	5.53	
2	UEFCS211-32													UE211-32			
2-3/16	UEFCS211-35		6-3/8	5-3/8	3.800	35/64	5/8	7/16	1	4.500	1.630	2.228	1/2	UE211-35	FCSX10	6.38	
2-7/16	UEFCS212-39		7-1/8	6	4.232	5/8	7/8	1/2	1-1/32	5.000	1.779	2.622	1/2	UE212-39	FCSX11	8.85	
Dimensions (mm)																	
30	UEFCS206		111	92	65	9.5	6.4	9	24	76.2	33.9	39.8	M8	UE206	FCSX05	2.44	
35	UEFCS207		127	105	74.2	12	9.5	10	22	85.7	34.4	43.9	M10	UE207	FCSX06	3.34	
40	UEFCS208		133	111	78.5	12	11	11	26	92.1	40.2	50.2	M10	UE208	FCSX07	3.93	
45	UEFCS209		155	130	92.1	13.5	12	12	22	108.0	36.8	50.2	M12	UE209	FCF209	4.15	
50	UEFCS210		155	130	91.9	14	12	11	25	108.0	41.6	52.6	M12	UE210	FCSX09	5.53	
55	UEFCS211		162	136.5	96.5	14	15.9	11	25	114.3	41.4	56.6	M12	UE211	FCSX10	6.38	
60	UEFCS212		181	152	107.5	16	22.2	13	26	127.0	45.2	66.6	M14	UE212	FCSX11	8.85	

Lubrication fitting tap size 1/8-27 NPT

INTERCHANGES: VFCB FC-DL KPFC4-45 SFC-T

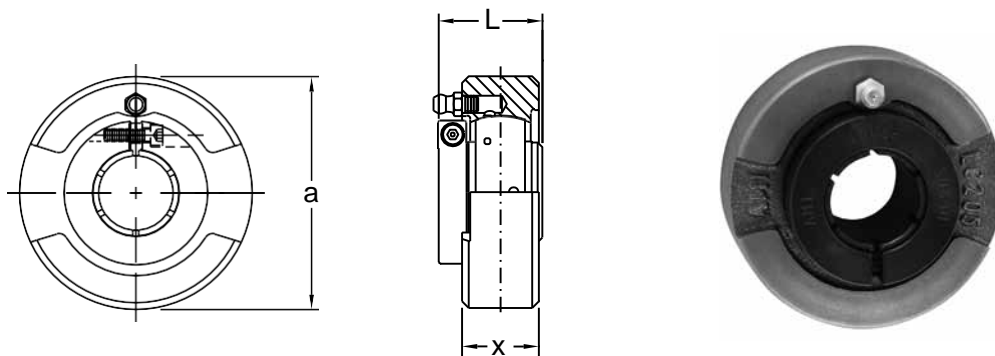


ACCU-LOC CARTRIDGE UNITS

UELC / UEC 200

NORMAL DUTY

Concentric Locking
52100 Bearing Steel
w/Black Oxide Finish
Cast Iron Housing
Insert detail-pg.120
Inch and Metric



Shaft Diam. (in.)	AMI Unit #	List Price	Dimensions (in.)			Bearing #	Housing #	Weight (lb.)
			a	x	L			
3/4	UELC204-12		2-15/16	7/8	1.299	UE204-12	LC204	1.44
7/8	UELC205-14		3-1/8	1-1/32	1.394	UE205-14	LC205	1.81
15/16	UELC205-15							
1	UELC205-16		3-1/2	1-3/32	1.567	UE205-16	LC206	2.31
1-1/8	UELC206-18							
1-3/16	UELC206-19							
1-1/4	UELC206-20		3-7/8	1-7/32	1.728	UE206-20	LC207	2.97
1-1/4	UELC207-20							
1-3/8	UELC207-22							
1-7/16	UELC207-23		4-3/16	1-15/32	1.976	UE207-23	LC208	4.07
1-1/2	UELC208-24							
1-11/16	UELC209-27		4-3/8	1-7/16	1.976	UE208-24	LC209	4.13
1-3/4	UELC209-28							
1-15/16	UELC210-31		4-9/16	1-15/32	2.071	UE209-28	LC210	4.80
2	UELC210-32							
2	UELC211-32		4-15/16	1-19/32	2.228	UE210-31	LC211	6.14
2-3/16	UELC211-35							
2-7/16	UELC212-39		5-7/8	1-5/8	2.622	UE210-32	LC212	9.70
Dimensions (mm)								
20	UEC204		72	20	33.0	UE204	C204	1.25
25	UEC205		80	22	35.4	UE205	C205	1.65
30	UEC206		85	27	39.8	UE206	C206	2.05
35	UEC207		90	28	43.9	UE207	C207	2.40
40	UEC208		100	30	50.2	UE208	C208	3.01
45	UEC209		110	31	50.2	UE209	C209	3.74
50	UEC210		120	33	52.6	UE210	C210	4.86
55	UEC211		125	35	56.6	UE211	C211	5.54
60	UEC212		130	38	66.6	UE212	C212	6.92

Recommended housing bore:

Rotating Shaft: nominal +0.001" ~ +0.003" (+0.025 mm ~ +0.076 mm).

Stationary Shaft: nominal +0.000" ~ -0.002" (+0.000 mm ~ -0.050 mm)

Lubrication fitting tap size 1/4-28 UNF

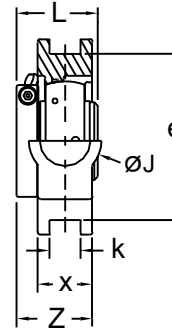
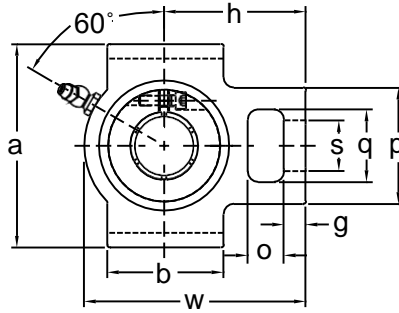
INTERCHANGES: SC-T

UEST / UET 200

ACCU-LOC WIDE SLOT TAKE-UP UNITS



NORMAL DUTY



**Concentric Locking
52100 Bearing Steel
w/Black Oxide Finish
Cast Iron Housing
Insert detail-pg.120
Inch and Metric**

Shaft Diam. (in.)	AMI Unit #	List Price	Dimensions (in.)															Bearing #	Housing #	Weight (lb.)
			o	g	p	q	s	b	k	e	a	w	J	x	h	Z	L			
3/4	UEST204-12		5/8	3/8	2	1-1/4	3/4	2	17/32	3	3-1/2	3-11/16	1-1/4	15/16	2-3/8	1.268	1.299	UE204-12	ST204	2.01
7/8	UEST205-14																	UE205-14	ST205	2.03
15/16	UEST205-15		5/8	3/8	2	1-1/4	7/8	2	17/32	3	3-1/2	3-13/16	1-1/4	15/16	2-7/16	1.300	1.394	UE205-15	ST205	1.96
1	UEST205-16																	UE205-16	ST206	2.64
1-1/8	UEST206-18																	UE206-18	ST206	2.64
1-3/16	UEST206-19		5/8	3/8	2-3/16	1-7/16	7/8	2-1/4	17/32	3-1/2	4	4-7/16	1-7/16	15/16	2-3/4	1.410	1.567	UE206-19	ST207	3.86
1-1/4	UEST206-20																	UE206-20	ST207	3.86
1-1/4	UEST207-20																	UE207-20	ST207	3.86
1-3/8	UEST207-22		5/8	1/2	2-1/2	1-7/16	7/8	2-1/2	17/32	3-1/2	4	5-1/16	1-7/16	1-3/16	3-1/16	1.633	1.728	UE207-22	ST209	5.68
1-7/16	UEST207-23																	UE207-23	ST209	5.68
1-1/2	UEST208-24		3/4	5/8	3-1/4	1-15/16	1-1/8	3-1/4	11/16	4	4-1/2	5-11/16	1-15/16	1-3/8	3-1/2	1.916	1.976	UE208-24	ST210	5.91
1-11/16	UEST209-27		3/4	5/8	3-1/4	1-15/16	1-1/8	3-1/4	11/16	4	4-5/8	5-11/16	1-15/16	1-3/8	3-7/16	1.916	1.976	UE209-27	ST211	9.90
1-3/4	UEST209-28																	UE209-28	ST211	9.90
1-15/16	UEST210-31		3/4	5/8	3-1/4	1-15/16	1-1/8	3-3/8	11/16	4	4-5/8	5-7/8	1-15/16	1-3/8	3-9/16	2.011	2.071	UE210-31	ST212	12.35
2	UEST210-32																	UE210-32	ST212	12.35
2	UEST211-32		1	3/4	4	2-1/2	1-3/8	3-3/4	1-1/16	5-1/8	5-3/4	6-3/4	2-1/2	1-5/8	4-3/16	2.167	2.228	UE211-32	ST212	12.35
2-3/16	UEST211-35																	UE211-35	ST212	12.35
2-7/16	UEST212-39		1-1/4	3/4	4	2-1/2	1-3/8	4	1-1/16	5-1/8	5-3/4	7-5/8	2-1/2	1-13/16	4-11/16	2.528	2.622	UE212-39	ST212	12.35
Dimensions (mm)																				
20	UET204		16	10	51	32	19	51	12	76	89	94	32	21	61	30.8	33.0	UE204	T204	1.81
25	UET205		16	10	51	32	19	51	12	76	89	97	32	24	62	33.1	35.4	UE205	T205	2.03
30	UET206		16	10	56	37	22	57	12	89	102	113	37	28	70	37.9	39.8	UE206	T206	3.12
35	UET207		16	13	64	37	22	64	12	89	102	129	37	30	78	41.4	43.9	UE207	T207	3.90
40	UET208		19	16	83	49	29	83	16	102	114	144	49	33	88	47.7	50.2	UE208	T208	5.68
45	UET209		19	16	83	49	29	83	16	102	117	144	49	35	87	48.7	50.2	UE209	T209	5.74
50	UET210		19	16	83	49	29	86	16	102	117	149	49	37	90	52.1	52.6	UE210	T210	6.20
55	UET211		25	19	102	64	35	95	22	130	146	171	64	38	106	53.4	56.6	UE211	T211	9.78
60	UET212		32	19	102	64	35	102	22	130	146	194	64	42	119	62.2	66.6	UE212	T212	12.38

Lubrication fitting tap size for 1" and smaller shaft sizes, 1/4-28 UNF; for all other sizes, 1/8-27 NPT

INTERCHANGES: WSTU-DL KTC-45 ST-T

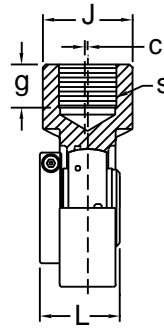
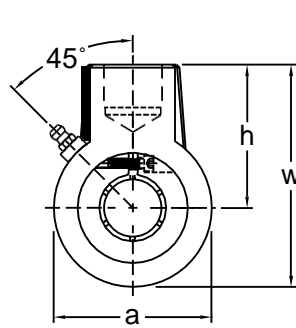


ACCU-LOC HANGER BEARING UNITS

UEECH 200

NORMAL DUTY

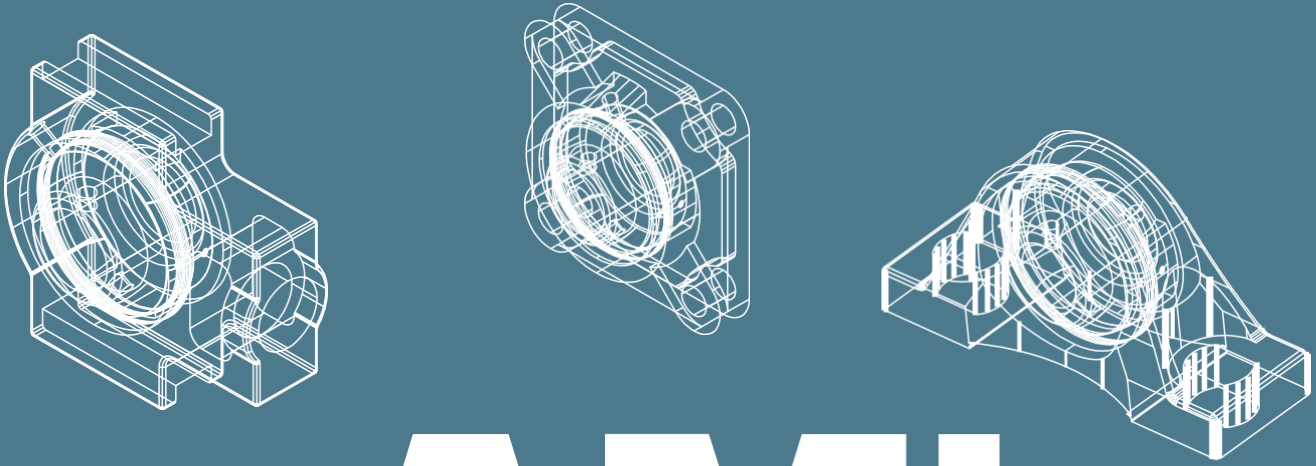
Concentric Locking
52100 Bearing Steel
w/Black Oxide Finish
Cast Iron Housing
Insert detail-pg.120
Inch and Metric



Shaft Diam. (in.)	AMI Unit #	List Price	Dimensions (in.)									Bearing #	Housing #	Weight (lb.)
			a	w	h	J	s	g	L	c				
3/4	UEECH204-12		2-3/4	3-7/8	2-1/2	1-9/16	PF3/4	3/4	1.299	0	UE204-12	ECH204	2.03	
7/8	UEECH205-14										UE205-14			
15/16	UEECH205-15		2-3/4	3-7/8	2-1/2	1-9/16	PF3/4	3/4	1.394	0	UE205-15	ECH205	1.83	
1	UEECH205-16										UE205-16			
1-1/8	UEECH206-18										UE206-18			
1-3/16	UEECH206-19		3-1/8	4-1/8	2-1/2	1-9/16	PF3/4	3/4	1.567	0	UE206-19	ECH206	2.23	
1-1/4	UEECH206-20										UE206-20			
1-1/4	UEECH207-20										UE207-20			
1-3/8	UEECH207-22		3-5/8	4-9/16	2-3/4	1-9/16	PF3/4	3/4	1.728	0	UE207-22	ECH207	2.97	
1-7/16	UEECH207-23										UE207-23			
1-1/2	UEECH208-24		3-3/4	4-3/4	2-7/8	1-9/16	PF3/4	3/4	1.976	0.079	UE208-24	ECH208	3.42	
1-11/16	UEECH209-27										UE209-27			
1-3/4	UEECH209-28		4-1/4	5-3/8	3-1/4	1-7/8	PF1	13/16	1.976	0.157	UE209-28	ECH209	4.36	
1-15/16	UEECH210-31		4-1/2	5-1/2	3-1/4	1-7/8	PF1	13/16	2.071	0.197	UE210-31	ECH210	4.81	
2	UEECH210-32										UE210-32			
2	UEECH211-32		5-5/8	6-13/16	4	2-23/64	PF 1-1/4	1-1/8	2.228	0.343	UE211-32	ECH211	9.61	
2-3/16	UEECH211-35										UE211-35			
2-7/16	UEECH212-39		5-5/8	6-13/16	4	2-23/64	PF 1-1/4	1-1/8	2.622	0.343	UE212-39	ECH212	13.14	
Dimensions (mm)														
20	UEECH204		70	99	64	40	PF3/4	19	33.0	0	UE204	ECH204	2.03	
25	UEECH205		70	99	64	40	PF3/4	19	35.4	0	UE205	ECH205	1.85	
30	UEECH206		80	104	64	40	PF3/4	19	39.8	0	UE206	ECH206	2.25	
35	UEECH207		92	116	70	40	PF3/4	19	43.9	0	UE207	ECH207	3.01	
40	UEECH208		96	121	73	40	PF3/4	19	50.2	2.0	UE208	ECH208	3.45	
45	UEECH209		108	136	82	48	PF1	21	50.2	4.0	UE209	ECH209	4.40	
50	UEECH210		114	140	83	48	PF1	21	52.6	5.0	UE210	ECH210	4.86	
55	UEECH211		143	173	101.6	60	PF 1-1/4	28.5	56.6	8.7	UE211	ECH211	9.61	
60	UEECH212		143	173	101.6	60	PF1-1/4	28.5	66.6	8.7	UE212	ECH212	13.14	

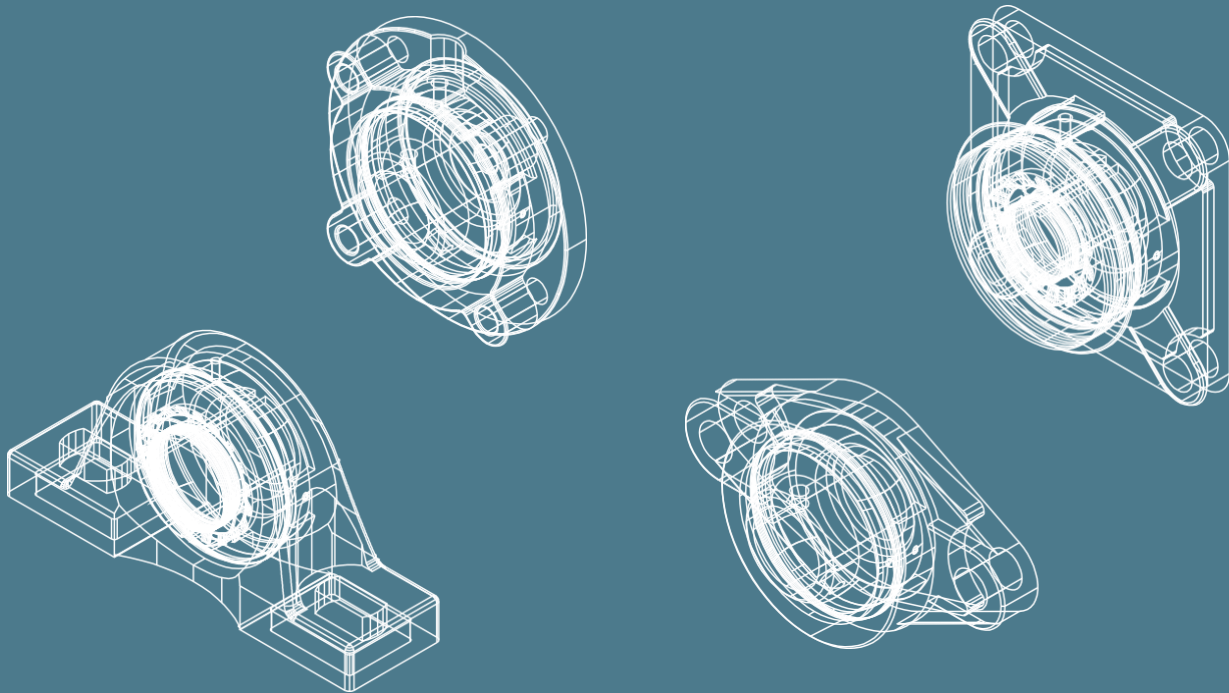
Lubrication fitting tap size for 1" and smaller shaft sizes, 1/4-28 UNF; for all other sizes, 1/8-27 NPT

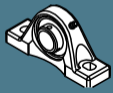
INTERCHANGES: SCHB-DL



AMI

Medium Duty

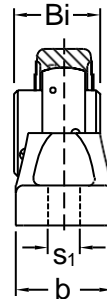
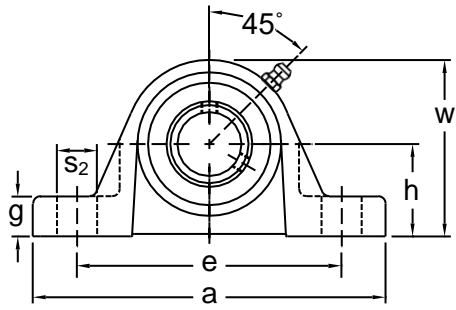




PILLOW BLOCKS

UCP X00

**Set-Screw Locking
Wide Inner Ring
Cast Iron Housing
Insert detail-pg.122
Inch and Metric**



MEDIUM DUTY

Shaft Diam. (in.)	AMI Unit #	List Price	Dimensions (in.)										Bolt Size (in.)	Bearing #	Housing #	Weight (lb.)
			h	a	e		b	s1	s2	g	w	Bi				
1	UCPX05-16		1-3/4	6-1/4	4-3/16	5-3/16	2	21/32	1	23/32	3-7/16	1.500	1/2	UCX05-16	PX05	3.31
1-1/8	UCPX06-18		1-7/8	6-7/8	4-1/2	5-1/2	2-1/4	21/32	1	25/32	3-13/16	1.689	1/2	UCX06-18	PX06	4.19
1-3/16	UCPX06-19	UCX06-19														
1-1/4	UCPX06-20	UCX06-20														
1-1/4	UCPX07-20		2-1/8	8	5	6-3/8	2-1/4	21/32	1-3/16	7/8	4-1/4	1.937	1/2	UCX07-20	PX07	5.95
1-3/8	UCPX07-22	UCX07-22														
1-7/16	UCPX07-23	UCX07-23														
1-1/2	UCPX08-24		2-5/16	8-3/4	5-1/2	6-3/4	2-5/8	25/32	1-1/4	1-1/32	4-17/32	1.937	5/8	UCX08-24	PX08	7.71
1-5/8	UCPX09-26	UCX09-26														
1-11/16	UCPX09-27	UCX09-27														
1-3/4	UCPX09-28		2-5/16	8-3/4	5-7/16	6-13/16	2-5/8	25/32	1-5/16	1-1/32	4-39/64	2.031	5/8	UCX09-28	PX09	7.71
1-7/8	UCPX10-30	UCX10-30														
1-15/16	UCPX10-31	UCX10-31														
2	UCPX10-32		2-1/2	9-9/16	5-15/16	7-9/16	2-7/8	25/32	1-7/16	1-1/8	4-31/32	2.189	5/8	UCX10-32	PX10	9.26
2	UCPX11-32	UCX11-32														
2-3/16	UCPX11-35	UCX11-35														
2-1/4	UCPX11-36		2-3/4	10-1/4	6-9/16	7-15/16	3-1/8	1	1-7/16	1-3/16	5-9/16	2.563	3/4	UCX11-36	PX11	13.00
2-3/8	UCPX12-38	UCX12-38														
2-7/16	UCPX12-39	UCX12-39														
2-1/2	UCPX13-40		3	11-1/4	7-1/8	8-7/8	3-1/4	1	1-5/8	1-5/16	6-7/64	2.563	3/4	UCX13-40	PX13	16.31
2-11/16	UCPX14-43	UCX14-43														
2-3/4	UCPX14-44	UCX14-44														
2-15/16	UCPX15-47		3-1/2	13	7-7/8	10-1/8	3-1/2	1-1/16	2	1-5/16	6-57/64	3.063	7/8	UCX15-47	PX15	25.13
2-3/4	UCPX15-48	UCX15-48														
3-3/16	UCPX16-51	UCX16-51														
3-1/4	UCPX17-52		4	15	9-11/16	12-9/16	4	1-1/16	2-5/16	1-21/32	8	3.374	7/8	UCX17-52	PX17	37.69
3-7/16	UCPX17-55	UCX17-55														
3-1/2	UCPX18-56	UCX18-56														
3-15/16	UCPX20-63		5	17	11-3/4	14-3/4	4-3/4	1-5/16	2-1/2	2-1/16	10	4.626	1	UCX20-63	PX20	72.73
4	UCPX20-64	UCX20-64														
Dimensions (mm)																
25	UCPX05		44.4	159	106	132	51	17	25	18	87	38.1	M14	UCX05	PX05	3.31
30	UCPX06		47.6	175	114	140	57	17	25	20	97	42.9		UCX06	PX06	4.19
35	UCPX07		54	203	127	162	57	17	30	22	108	49.2		UCX07	PX07	5.95
40	UCPX08		58.7	222	140	172	66	20	32	26	115	49.2	M16	UCX08	PX08	7.71
45	UCPX09		58.7	222	138	173	66	20	33	26	117	51.6		UCX09	PX09	7.71
50	UCPX10		63.5	243	151	192	74	20	36	29	126	55.6		UCX10	PX10	9.26
55	UCPX11		69.8	260	167	202	79	25	36	30	141	65.1	M20	UCX11	PX11	13.00
60	UCPX12		76.2	286	181	225	82	25	41	33	155	65.1		UCX12	PX12	15.87
65	UCPX13		76.2	286	181	225	82	21	41	33	155	74.6		UCX13	PX13	16.31
70	UCPX14		88.9	330	200	257	89	27	51	33	175	77.8	M22	UCX14	PX14	24.46
75	UCPX15		88.9	330	200	257	89	27	51	33	177	82.6		UCX15	PX15	25.13
80	UCPX16		101.6	381	246	319	102	27	59	42	203	85.7		UCX16	PX16	38.35
85	UCPX17		101.6	381	246	319	111	27	59	42	209	96	M22	UCX17	PX17	37.69
90	UCPX18		101.6	381	245	321	111	27	60	45	206	104		UCX18	PX18	37.47
100	UCPX20		127	432	299	375	121	33	64	52	254	117.5		M27	UCX20	PX20

Lubrication fitting tap size 1/8-27 NPT

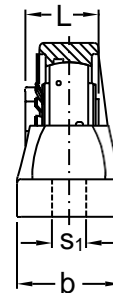
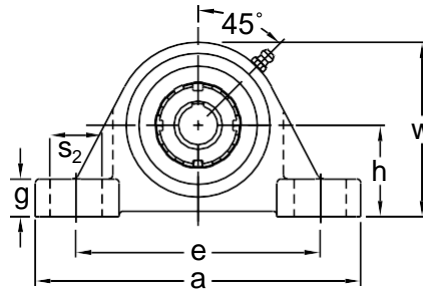
INTERCHANGES: VPS-3 P2B-SCM YASM C-35 SYM-TF UCPX MP

UKP X00+H

PILLOW BLOCKS



Tapered Adapter Sleeve
Wide Inner Ring
Cast Iron Housing
Insert detail-pg.123
Inch and Metric



MEDIUM DUTY

Shaft Diam. (in.)	AMI Unit #	List Price	Dimensions (in.)										Bolt Size (in.)	Bearing #	Housing #	Weight (lb.)	
			h	a	Min.	Max.	b	s1	s2	g	w	L					
3/4	UKPX05+HE2305		1-3/4	6-1/4	4-3/16	5-3/16	2	21/32	1	23/32	3-7/16	1.378	1/2	UKX05+HE2305	PX05	3.35	
13/16	UKPX05+HA2305													UKX05+HA2305			
7/8	UKPX06+HS2306													UKX06+HS2306			
15/16	UKPX06+HA2306		1-7/8	6-7/8	4-1/2	5-1/2	2-1/4	21/32	1	25/32	3-13/16	1.496	1/2	UKX06+HA2306	PX06	4.46	
1	UKPX06+HE2306													UKX06+HE2306			
1-1/8	UKPX07+HS2307													UKX07+HS2307			
1-3/16	UKPX07+HA2307		2-1/8	8	5	6-3/8	2-1/4	21/32	1-3/16	7/8	4-1/4	1.693	1/2	UKX07+HA2307	PX07	6.02	
1-1/4	UKPX08+HE2308													UKX08+HE2308			
1-5/16	UKPX08+HA2308		2-5/16	8-3/4	5-1/2	6-3/4	2-5/8	25/32	1-1/4	1-1/32	4-17/32	1.811	5/8	UKX08+HA2308	PX08	7.81	
1-3/8	UKPX08+HS2308													UKX08+HS2308			
1-7/16	UKPX09+HA2309													UKX09+HA2309			
1-1/2	UKPX09+HE2309		2-5/16	8-3/4	5-7/16	6-13/16	2-5/8	25/32	1-5/16	1-1/32	4-39/64	1.969	5/8	UKX09+HE2309	PX09	7.81	
1-5/8	UKPX09+HS2309													UKX09+HS2309			
1-11/16	UKPX10+HA2310													UKX10+HA2310			
1-3/4	UKPX10+HE2310		2-1/2	9-9/16	5-15/16	7-9/16	2-7/8	25/32	1-7/16	1-1/8	4-31/32	2.165	5/8	UKX10+HE2310	PX10	9.59	
1-7/8	UKPX11+HS2311													UKX11+HS2311			
1-15/16	UKPX11+HA2311		2-3/4	10-1/4	6-9/16	7-15/16	3-1/8	1	1-7/16	1-3/16	5-9/16	2.323	3/4	UKX11+HA2311	PX11	13	
2	UKPX11+HE2311													UKX11+HE2311			
2-1/16	UKPX12+HA2312													UKX12+HA2312			
2-1/8	UKPX12+HS2312		3	11-1/4	7-1/8	8-7/8	3-1/4	1	1-5/8	1-5/16	6-7/64	2.441	3/4	UKX12+HS2312	PX12	15.9	
2-3/16	UKPX13+HA2313													UKX13+HA2313			
2-1/4	UKPX13+HE2313		3	11-1/4	7-1/8	8-7/8	3-1/4	13/16	1-5/8	1-5/16	6-7/64	2.559	3/4	UKX13+HE2313	PX13	16.1	
2-3/8	UKPX13+HS2313													UKX13+HS2313			
2-7/16	UKPX15+HA2315													UKX15+HA2315			
2-1/2	UKPX15+HE2315		3-1/2	13	7-7/8	10-1/8	3-1/2	1-1/16	2	1-5/16	6-31/32	2.874	7/8	UKX15+HE2315	PX15	25.7	
2-3/4	UKPX16+HE2316		4	15	9-11/16	12-9/16	4	1-1/16	2-5/16	1-21/32	8	3.071	7/8	UKX16+HE2316	PX16	38.8	
2-15/16	UKPX17+HA2317													UKX17+HA2317			
3	UKPX17+HE2317		4	15	9-11/16	12-9/16	4-3/8	1-1/16	2-5/16	1-21/32	8-7/32	3.228	7/8	UKX17+HE2317	PX17	38	
3-1/8	UKPX18+HS2318													UKX18+HS2318			
3-7/16	UKPX20+HA2320													UKX20+HA2320			
3-1/2	UKPX20+HE2320		5	17	11-3/4	14-3/4	4-3/4	1-5/16	2-1/2	2-1/16	10	3.819	1	UKX20+HE2320	PX20	72.6	
Dimensions (mm)																	
20	UKPX05+H2305		44.4	159	106	132	51	17	25	18	87	35		UKX05+H2305	PX05	3.35	
25	UKPX06+H2306		47.6	175	114	140	57	17	25	20	97	38	M14	UKX06+H2306	PX06	4.46	
30	UKPX07+H2307		54	203	127	162	57	17	30	22	108	43		UKX07+H2307	PX07	6.02	
35	UKPX08+H2308		58.7	222	140	172	66	20	32	26	115	46		UKX08+H2308	PX08	7.81	
40	UKPX09+H2309		58.7	222	138	173	66	20	33	26	117	50	M16	UKX09+H2309	PX09	7.81	
45	UKPX10+H2310		63.5	243	151	192	74	20	36	29	126	55		UKX10+H2310	PX10	9.59	
50	UKPX11+H2311		69.8	260	167	202	79	25	36	30	141	59		UKX11+H2311	PX11	13.0	
55	UKPX12+H2312		76.2	286	181	225	82	25	41	33	155	62	M20	UKX12+H2312	PX12	15.9	
60	UKPX13+H2313		76.2	286	181	225	82	21	41	33	155	65		UKX13+H2313	PX13	16.1	
65	UKPX15+H2315		88.9	330	200	257	89	27	51	33	177	73		UKX15+H2315	PX15	25.7	
70	UKPX16+H2316		101.6	381	246	319	102	27	59	42	203	78	M22	UKX16+H2316	PX16	38.8	
75	UKPX17+H2317		101.6	381	246	319	111	27	59	42	209	82		UKX17+H2317	PX17	38.0	
80	UKPX18+H2318		101.6	381	245	321	111	27	60	45	206	86	M22	UKX18+H2318	PX18	37.3	
90	UKPX20+H2320		127	432	299	375	121	33	64	52	254	97	M27	UKX20+H2320	PX20	69.4	

Lubrication fitting tap size 1/8-27 NPT

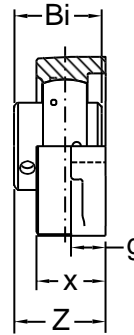
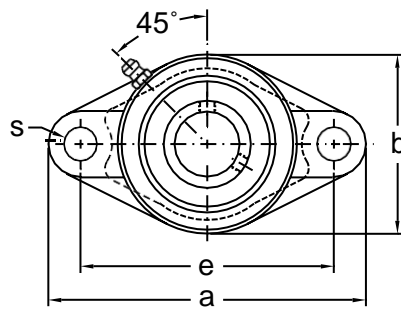
INTERCHANGES: UKPX



TWO-BOLT FLANGE UNITS

UCFL X00

Set-Screw Locking
Wide Inner Ring
Cast Iron Housing
Insert detail-pg.122
Inch and Metric



MEDIUM DUTY

Shaft Diam. (in.)	AMI Unit #	List Price	Dimensions (in.)								Bolt Size (in.)	Bearing #	Housing #	Weight (lb.)
			a	e	g	x	s	b	z	Bi				
1	UCFLX05-16		5-9/16	4-19/32	17/32	1-3/16	1/2	3-1/4	1.579	1.500	7/16	UCX05-16	FT206	2.20
1-1/8	UCFLX06-18		6-1/8	5-1/8	9/16	1-11/32	35/64	3-3/4	1.752	1.689	1/2	UCX06-18	FT207	3.09
1-3/16	UCFLX06-19	UCX06-19												
1-1/4	UCFLX06-20		6-3/4	5-21/32	9/16	1-1/2	35/64	4-1/8	2.016	1.937	1/2	UCX06-20	FT208	4.19
1-1/4	UCFLX07-20	UCX07-20												
1-3/8	UCFLX07-22	UCX07-22												
1-7/16	UCFLX07-23	UCX07-23												
1-1/2	UCFLX08-24		7-1/16	5-27/32	9/16	1-9/16	5/8	4-3/8	2.047	1.937	9/16	UCX08-24	FT209	4.41
1-5/8	UCFLX09-26		7-7/16	6-3/16	9/16	1-9/16	5/8	4-9/16	2.157	2.031	9/16	UCX09-26	FT210	5.29
1-11/16	UCFLX09-27	UCX09-27												
1-3/4	UCFLX09-28	UCX09-28												
1-7/8	UCFLX10-30		8-1/2	7-1/4	13/16	1-3/4	21/32	5-1/4	2.315	2.189	5/8	UCX10-30	FT211	7.93
1-15/16	UCFLX10-31	UCX10-31												
2	UCFLX10-32	UCX10-32												
Dimensions (mm)														
25	UCFLX05		141	116.7	13	30	12.5	83	40.1	38.1	M10	UCX05	FT206	2.23
30	UCFLX06		156	130.2	14	34	14	95	44.5	42.9	M12	UCX06	FT207	3.12
35	UCFLX07		171	143.7	14	38	14	105	51.2	49.2	M12	UCX07	FT208	4.24
40	UCFLX08		179	148.4	14	40	16	111	52.0	49.2	M14	UCX08	FT209	4.46
45	UCFLX09		189	157.2	14	40	16	116	54.8	51.6	M14	UCX09	FT210	5.35
50	UCFLX10		216	184.2	21	44	17	133	58.8	55.6	M16	UCX10	FT211	8.03

Lubrication fitting tap size 1/8-27 NPT

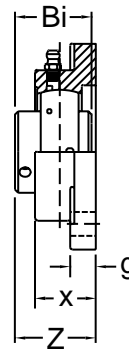
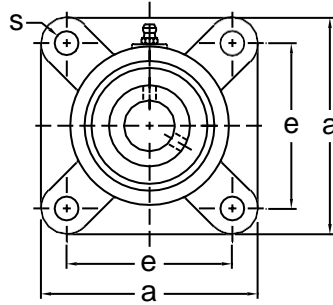
INTERCHANGES: VF2S-3 F2B-SCM YCJTM FC2-35 FYTM-TF UCFLX MSFT

UCF X00

FOUR-BOLT FLANGE UNITS



MEDIUM DUTY



**Set-Screw Locking
Wide Inner Ring
Cast Iron Housing
Insert detail-pg.122
Inch and Metric**

Shaft Diam. (in.)	AMI Unit #	List Price	Dimensions (in.)							Bolt Size (in.)	Bearing #	Housing #	Weight (lb.)
			a	e	g	x	s	Z	Bi				
1	UCFX05-16		4-1/4	3-1/4	1/2	1-3/16	15/32	1.583	1.500	7/16	UCX05-16	FX05	2.42
1-1/8	UCFX06-18		4-5/8	3-5/8	9/16	1-11/32	17/32	1.748	1.689	1/2	UCX06-18	FX06	2.87
1-3/16	UCFX06-19												
1-1/4	UCFX06-20		5-1/8	4	9/16	1-1/2	17/32	2.016	1.937	1/2	UCX06-20	FX07	3.97
1-1/4	UCFX07-20												
1-3/8	UCFX07-22												
1-7/16	UCFX07-23		5-3/8	4-1/8	9/16	1-9/16	19/32	2.055	1.937	9/16	UCX07-23	FX08	3.97
1-1/2	UCFX08-24												
1-5/8	UCFX09-26		5-5/8	4-3/8	9/16	1-9/16	19/32	2.189	2.031	9/16	UCX09-26	FX09	5.29
1-11/16	UCFX09-27												
1-3/4	UCFX09-28												
1-7/8	UCFX10-30		6-3/8	5-1/8	25/32	1-3/4	21/32	2.339	2.189	5/8	UCX10-30	FX10	7.93
1-15/16	UCFX10-31												
2	UCFX10-32		6-7/8	5-5/8	25/32	1-15/16	21/32	2.705	2.563	5/8	UCX10-32	FX11	9.92
2	UCFX11-32												
2-3/16	UCFX11-35												
2-1/4	UCFX11-36		7-3/8	5-7/8	13/16	2-5/16	21/32	2.902	2.563	5/8	UCX11-36	FX12	11.68
2-3/8	UCFX12-38												
2-7/16	UCFX12-39		7-3/8	5-7/8	13/16	2-5/16	21/32	3.087	2.937	5/8	UCX12-39	FX13	12.12
2-1/2	UCFX13-40												
2-11/16	UCFX14-43		7-3/4	6	15/16	2-3/8	25/32	3.209	3.063	3/4	UCX13-40	FX14	16.97
2-3/4	UCFX14-44												
2-15/16	UCFX15-47		7-3/4	6	15/16	2-11/16	25/32	3.516	3.252	3/4	UCX14-44	FX15	16.97
3	UCFX15-48												
3-3/16	UCFX16-51		8-7/16	6-3/4	15/16	2-3/4	25/32	3.606	3.374	3/4	UCX15-47	FX16	22.48
3-1/4	UCFX17-52												
3-1/4	UCFX17-55		8-7/16	6-3/4	15/16	2-3/4	25/32	3.791	3.780	3/4	UCX16-51	FX17	22.48
3-1/2	UCFX18-56												
3-1/2	UCFX18-56		8-7/16	6-3/4	15/16	3	25/32	4.177	4.094	3/4	UCX17-55	FX18	23.36
3-15/16	UCFX20-63												
4	UCFX20-64		10-9/16	8-5/16	1-7/32	3-13/16	1-1/32	5.012	4.626	1	UCX18-56	FX20	23.36
											UCX20-64		37.03
Dimensions (mm)													
25	UCFX05		108	83	13	30	12	40.2	38.1	M10	UCX05	FX05	2.42
30	UCFX06		117	92	14	34	13.5	44.4	42.9	M12	UCX06	FX06	2.87
35	UCFX07		130	102	14	38	13.5	51.2	49.2	M12	UCX07	FX07	3.97
40	UCFX08		137	105	14	40	15	52.2	49.2	M14	UCX08	FX08	3.97
45	UCFX09		143	111	14	40	15	55.6	51.6	M14	UCX09	FX09	5.29
50	UCFX10		162	130	20	44	17	59.4	55.6	M16	UCX10	FX10	7.93
55	UCFX11		175	143	20	49	17	68.7	65.1	M16	UCX11	FX11	9.92
60	UCFX12		187	149	21	59	17	73.7	65.1		UCX12	FX12	11.68
65	UCFX13		187	149	21	59	17	78.4	74.6	M16	UCX13	FX13	12.12
70	UCFX14		197	152	24	60	20	81.5	77.8	M18	UCX14	FX14	16.97
75	UCFX15		197	152	24	68	20	89.3	82.6		UCX15	FX15	16.97
80	UCFX16		214	171	24	70	20	91.6	85.7	M18	UCX16	FX16	22.48
85	UCFX17		214	171	24	70	20	96.3	96	M18	UCX17	FX17	22.48
90	UCFX18		214	171	24	76	20	106.1	104	M18	UCX18	FX18	23.36
100	UCFX20		268	211	31	97	26	127.3	117.5	M24	UCX20	FX20	37.03

Lubrication fitting tap size 1/8-27 NPT

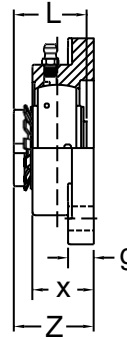
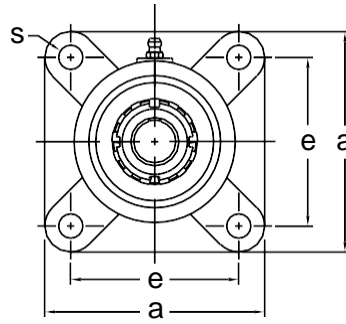
INTERCHANGES: VF4S-3 F4B-SCM TCJM FC4-35 FYM-TF UCFX MSF



FOUR-BOLT FLANGE UNITS

UKF X00+H

Tapered Adapter Sleeve
Wide Inner Ring
Cast Iron Housing
Insert detail-pg.123
Inch and Metric



MEDIUM DUTY

Shaft Diam. (in.)	AMI Unit #	List Price	Dimensions (in.)							Bolt Size (in.)	Bearing #	Housing #	Weight (lb.)
			a	e	g	x	s	Z	L				
3/4	UKFX05+HE2305		4-1/4	3-1/4	1/2	1-3/16	15/32	1.535	1.378	7/16	UKX05+HE2305	FX05	2.45
13/16	UKFX05+HA2305										UKX05+HA2305		
7/8	UKFX06+HS2306		4-5/8	3-5/8	9/16	1-11/32	17/32	1.614	1.496	1/2	UKX06+HS2306	FX06	3.12
15/16	UKFX06+HA2306										UKX06+HA2306		
1	UKFX06+HE2306										UKX06+HE2306		
1-1/8	UKFX07+HS2307		5-1/8	4	9/16	1-1/2	17/32	1.752	1.693	1/2	UKX07+HS2307	FX07	4.01
1-3/16	UKFX07+HA2307										UKX07+HA2307		
1-1/4	UKFX08+HE2308		5-3/8	4-1/8	9/16	1-9/16	19/32	1.851	1.811	9/16	UKX08+HE2308	FX08	4.01
1-5/16	UKFX08+HA2308										UKX08+HA2308		
1-3/8	UKFX08+HS2308										UKX08+HS2308		
1-7/16	UKFX09+HA2309		5-5/8	4-3/8	9/16	1-9/16	19/32	1.949	1.969	9/16	UKX09+HA2309	FX09	5.35
1-1/2	UKFX09+HE2309										UKX09+HE2309		
1-5/8	UKFX09+HS2309										UKX09+HS2309		
1-11/16	UKFX10+HA2310		6-3/8	5-1/8	25/32	1-3/4	21/32	2.146	2.165	5/8	UKX10+HA2310	FX10	8.03
1-3/4	UKFX10+HE2310										UKX10+HE2310		
1-7/8	UKFX11+HS2311		6-7/8	5-5/8	25/32	1-15/16	21/32	2.323	2.323	5/8	UKX11+HS2311	FX11	9.59
1-15/16	UKFX11+HA2311										UKX11+HA2311		
2	UKFX11+HE2311										UKX11+HE2311		
2-1/16	UKFX12+HA2312		7-3/8	5-7/8	13/16	2-5/16	21/32	2.598	2.441	5/8	UKX12+HA2312	FX12	11.8
2-1/8	UKFX12+HS2312										UKX12+HS2312		
2-3/16	UKFX13+HA2313		7-3/8	5-7/8	13/16	2-5/16	21/32	2.677	2.559	5/8	UKX13+HA2313	FX13	11.6
2-1/4	UKFX13+HE2313										UKX13+HE2313		
2-3/8	UKFX13+HS2313										UKX13+HS2313		
2-7/16	UKFX15+HA2315		7-3/4	6	15/16	2-11/16	25/32	3.032	2.874	3/4	UKX15+HA2315	FX15	17.2
2-1/2	UKFX15+HE2315										UKX15+HE2315		
2-3/4	UKFX16+HE2316		8-7/16	6-3/4	15/16	2-3/4	25/32	3.150	3.071	3/4	UKX16+HE2316	FX16	22.8
2-15/16	UKFX17+HA2317		8-7/16	6-3/4	15/16	2-3/4	25/32	3.248	3.228	3/4	UKX17+HA2317	FX17	22.6
3	UKFX17+HE2317										UKX17+HE2317		
3-1/8	UKFX18+HS2318		8-7/16	6-3/4	15/16	3	25/32	3.504	3.386	3/4	UKX18+HS2318	FX18	22.8
3-7/16	UKFX20+HA2320		10-9/16	8-5/16	1-7/32	3-13/16	1-1/32	4.252	3.819	1	UKX20+HA2320	FX20	36.5
3-1/2	UKFX20+HE2320										UKX20+HE2320		
Dimensions (mm)													
20	UKFX05+H2305		108	83	13	30	12	39	35	M10	UKX05+H2305	FX05	2.45
25	UKFX06+H2306		117	92	14	34	13.5	40.5	38	M12	UKX06+H2306	FX06	3.12
30	UKFX07+H2307		130	102	14	38	13.5	44.5	43	M12	UKX07+H2307	FX07	4.01
35	UKFX08+H2308		137	105	14	40	15	47	46	M14	UKX08+H2308	FX08	4.01
40	UKFX09+H2309		143	111	14	40	15	49.5	50	M14	UKX09+H2309	FX09	5.35
45	UKFX10+H2310		162	130	20	44	17	54.5	55	M16	UKX10+H2310	FX10	8.03
50	UKFX11+H2311		175	143	20	49	17	59	59		UKX11+H2311	FX11	9.59
55	UKFX12+H2312		187	149	21	59	17	66	62	M16	UKX12+H2312	FX12	11.8
60	UKFX13+H2313		187	149	21	59	17	68	65		UKX13+H2313	FX13	11.6
65	UKFX15+H2315		197	152	24	68	20	77	73		UKX15+H2315	FX15	17.2
70	UKFX16+H2316		214	171	24	70	20	80	78	M18	UKX16+H2316	FX16	22.8
75	UKFX17+H2317		214	171	24	70	20	82.5	82		UKX17+H2317	FX17	22.6
80	UKFX18+H2318		214	171	24	76	20	89	86	M18	UKX18+H2318	FX18	22.8
90	UKFX20+H2320		268	211	31	97	26	108	97	M24	UKX20+H2320	FX20	35.5

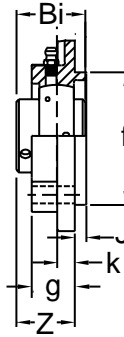
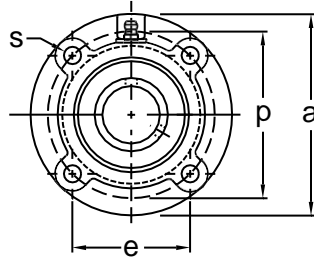
Lubrication fitting tap size 1/8-27 NPT

INTERCHANGES: UKFX

UCFCSX / UCFC X00 PILOTED FLANGE CARTRIDGE UNITS



SealMaster® Style



Set-Screw Locking
Wide Inner Ring
Cast Iron Housing
Insert detail-pg.122
Inch and Metric

MEDIUM DUTY

Shaft Diam. (in.)	AMI Unit #	List Price	Dimensions (in.)										Bolt Size (in.)	Bearing #	Housing #	Weight (lb.)
			a	p	e	s	J	k	g	f	z	Bi				
1	UCFCSX05-16		4-3/8	3-5/8	2.559	3/8	1/4	23/64	15/16	3.000	1.268	1.500	5/16	UCX05-16	FCSX05	2.42
1-1/8	UCFCSX06-18													UCX06-18		
1-3/16	UCFCSX06-19		5	4-1/8	2.921	15/32	3/8	25/64	7/8	3.375	1.315	1.689	3/8	UCX06-19	FCSX06	3.09
1-1/4	UCFCSX06-20													UCX06-20		
1-1/4	UCFCSX07-20													UCX07-20		
1-3/8	UCFCSX07-22		5-1/4	4-3/8	3.091	15/32	7/16	7/16	1-1/32	3.625	1.543	1.937	3/8	UCX07-22	FCSX07	3.97
1-7/16	UCFCSX07-23													UCX07-23		
1-1/2	UCFCSX08-24		5-1/4	4-3/8	3.091	15/32	7/16	7/16	1-1/32	3.625	1.543	1.937	3/8	UCX08-24	FCX08	3.97
1-1/2	UCFCMX08-24		6-1/8	5-1/8	3.625	17/32	15/32	29/64	7/8	4.250	1.408	1.937	1/2	UCX08-24	FCF209	3.97
1-5/8	UCFCSX09-26													UCX09-26		
1-11/16	UCFCSX09-27		6-1/8	5-1/8	3.618	35/64	15/32	7/16	1	4.250	1.598	2.031	1/2	UCX09-27	FCSX09	5.51
1-3/4	UCFCSX09-28													UCX09-28		
1-7/8	UCFCSX10-30													UCX10-30		
1-15/16	UCFCSX10-31		6-3/8	5-3/8	3.800	35/64	5/8	7/16	1	4.500	1.591	2.189	1/2	UCX10-31	FCSX10	6.39
2	UCFCSX10-32													UCX10-32		
2	UCFCSX11-32													UCX11-32		
2-3/16	UCFCSX11-35		7-1/8	6	4.232	5/8	7/8	1/2	1-1/32	5.000	1.720	2.563	1/2	UCX11-35	FCSX11	8.82
2-1/4	UCFCSX11-36													UCX11-36		
2-3/8	UCFCSX12-38		7-5/8	6-1/2	4.594	5/8	25/32	9/16	1-5/16	5.500	1.996	2.563	1/2	UCX12-38	FCSX12	10.14
2-7/16	UCFCSX12-39													UCX12-39		
2-1/2	UCFCSX13-40		7-5/8	6-1/2	4.594	5/8	25/32	9/16	1-5/16	5.500	2.181	2.937	1/2	UCX13-40	FCSX13	10.80
2-11/16	UCFCSX14-43		8-3/4	7-1/2	5.303	3/4	25/32	9/16	1-13/32	6.375	2.303	3.063	5/8	UCX14-43	FCSX14	16.31
2-3/4	UCFCSX14-44													UCX14-44		
2-15/16	UCFCSX15-47		8-3/4	7-1/2	5.303	3/4	7/8	5/8	1-3/8	6.375	2.413	3.252	5/8	UCX15-47	FCSX15	16.31
3	UCFCSX15-48													UCX15-48		
3-3/16	UCFCSX16-51		10-1/4	8-5/8	6.094	29/32	1	3/4	1-13/32	7.323	2.425	3.374	3/4	UCX16-51	FCSX16	25.35
3-1/4	UCFCSX17-52		10-1/4	8-5/8	6.094	29/32	1	3/4	1-13/32	7.375	2.610	3.780	3/4	UCX17-52	FCSX17	24.46
3-7/16	UCFCSX17-55													UCX17-55		
3-1/2	UCFCSX18-56		10-1/4	8-5/8	6.094	29/32	1-3/32	3/4	1-11/16	7.375	2.878	4.094	3/4	UCX18-56	FCSX18	24.91
3-15/16	UCFCSX20-63		10-7/8	9-3/8	6.626	29/32	1-3/32	7/8	2-19/32	8.125	3.555	4.626	3/4	UCX20-63	FCSX20	35.04
4	UCFCSX20-64													UCX20-64		
Dimensions (mm)																
25	UCFCX05		111	92	65	9.5	6	9.5	24	76	32.2	38.1	M8	UCX05	FCX05	2.45
30	UCFCX06		127	105	74.2	12	9.5	9.5	22.5	85	33.4	42.9	M10	UCX06	FCX06	3.12
35	UCFCX07		133	111	78.5	12	11	11	26	92	39.2	49.2	M10	UCX07	FCX07	4.01
40	UCFCX08		133	111	78.5	12	11	11	26	92	39.2	49.2	M10	UCX08	FCX08	4.01
45	UCFCX09		155	130	91.9	14	12	11	25	108	40.6	51.6	M12	UCX09	FCX09	5.58
50	UCFCX10		162	136	96.2	14	16	11	25	118	40.4	55.6	M12	UCX10	FCX10	6.47
55	UCFCX11		180	152	107.5	16	22	13	26	127	43.7	65.1		UCX11	FCX11	8.92
60	UCFCX12		194	165	116.7	16	20	14	33	140	50.7	65.1	M14	UCX12	FCX12	10.3
65	UCFCX13		194	165	116.7	16	20	14	33	140	55.4	74.6		UCX13	FCX13	11.0
70	UCFCX14		222	190	134.3	19	20	14	36	164	58.5	77.8	M16	UCX14	FCX14	16.5
75	UCFCX15		222	190	134.3	19	22	16	35	164	61.3	82.6	M16	UCX15	FCX15	16.5
80	UCFCX16		260	219	154.8	23	25	19	36	186	61.6	85.7	M20	UCX16	FCX16	25.7
85	UCFCX17		260	219	154.8	23	25	19	36	186	66.3	96		UCX17	FCX17	24.8
90	UCFCX18		260	219	154.8	23	28	19	43	186	73.1	104	M20	UCX18	FCX18	25.2
100	UCFCX20		276	238	168.3	23	28	22	66	206	90.3	117.5		UCX20	FCX20	35.5

Lubrication fitting tap size 1/8-27 NPT

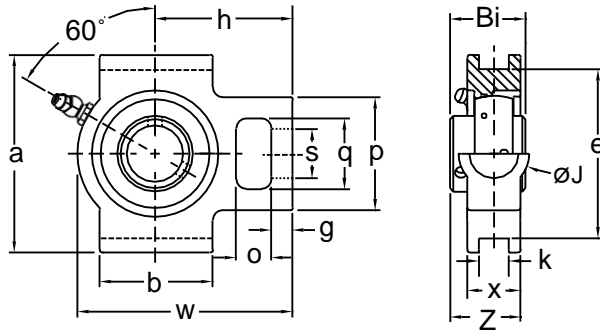
INTERCHANGES: VFCS-3 FC-SCM MFC PFC4-35 UCFCX



WIDE SLOT TAKE-UP UNITS

UCT X00

Set-Screw Locking
Wide Inner Ring
Cast Iron Housing
Insert detail-pg.102
Inch and Metric

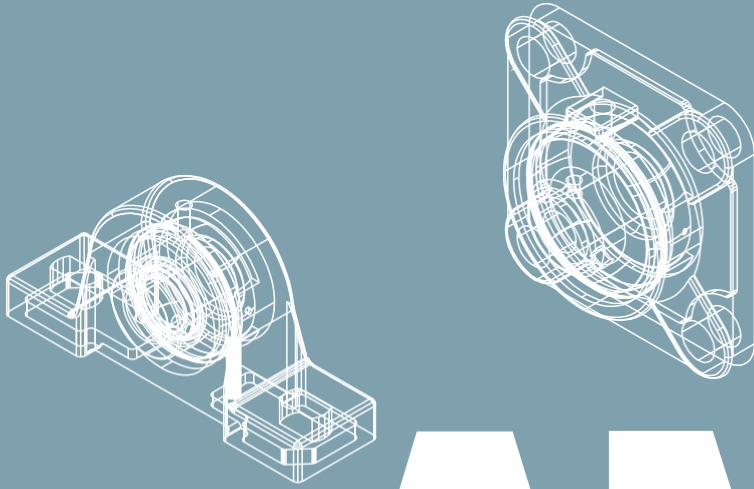


MEDIUM DUTY

Shaft Diam. (in.)	AMI Unit #	List Price	Dimensions (in.)															Bearing #	Housing #	Weight (lb.)
			o	g	p	q	s	b	k	e	a	w	J	x	h	Bi	Z			
1	UCTX05-16		5/8	3/8	2-3/16	1-7/16	7/8	2-1/4	0.472	3.504	4	4-7/16	1-7/16	1-1/8	2-3/4	1.500	1.437	UCX05-16	TX05	2.87
1-1/8	UCTX06-18																	UCX06-18		
1-3/16	UCTX06-19		5/8	1/2	2-1/2	1-7/16	7/8	2-1/2	0.472	3.504	4	5-1/16	1-7/16	1-3/16	3-1/16	1.689	1.594	UCX06-19	TX06	3.53
1-1/4	UCTX06-20																	UCX06-20		
1-1/4	UCTX07-20																	UCX07-20		
1-3/8	UCTX07-22		3/4	9/16	3-1/4	1-15/16	1-1/8	3-1/4	0.630	4.016	4-1/2	5-11/16	1-15/16	1-7/16	3-15/32	1.937	1.908	UCX07-22	TX07	5.73
1-7/16	UCTX07-23																	UCX07-23		
1-1/2	UCTX08-24		3/4	9/16	3-1/4	1-15/16	1-1/8	3-1/4	0.630	4.016	4-5/8	5-11/16	1-15/16	1-7/16	3-7/16	1.937	1.908	UCX08-24	TX08	5.73
1-5/8	UCTX09-26																	UCX09-26		
1-11/16	UCTX09-27		3/4	5/8	3-1/4	1-15/16	1-1/8	3-3/8	0.630	4.016	4-5/8	5-7/8	1-15/16	1-1/2	3-17/32	2.031	2.033	UCX09-27	TX09	6.17
1-3/4	UCTX09-28																	UCX09-28		
1-7/8	UCTX10-30																	UCX10-30		
1-15/16	UCTX10-31		1	3/4	4	2-1/2	1-3/8	3-3/4	0.866	5.118	5-3/4	6-3/4	2-1/2	1-5/8	4-3/16	2.189	2.128	UCX10-31	TX10	9.70
2	UCTX10-32																	UCX10-32		
2	UCTX11-32																	UCX11-32		
2-3/16	UCTX11-35		1-1/4	3/4	4	2-1/2	1-3/8	4	0.866	5.118	5-3/4	7-5/8	2-1/2	1-3/4	4-11/16	2.563	2.438	UCX11-35	TX11	11.46
2-1/4	UCTX11-36																	UCX11-36		
2-3/8	UCTX12-38		1-1/4	13/16	4-3/8	2-3/4	1-5/8	4-3/4	1.024	5.945	6-9/16	8-13/16	2-3/4	1-7/8	5-13/32	2.563	2.501	UCX12-38	TX12	15.87
2-7/16	UCTX12-39																	UCX12-39		
2-1/2	UCTX13-40		1-1/4	13/16	4-3/8	2-3/4	1-5/8	4-3/4	1.024	5.945	6-9/16	8-13/16	2-3/4	1-7/8	5-13/32	2.937	2.686	UCX13-40	TX13	16.31
2-11/16	UCTX14-43		1-1/4	13/16	4-3/8	2-3/4	1-5/8	4-3/4	1.024	5.945	6-9/16	9-1/8	2-3/4	1-7/8	5-1/2	3.063	2.690	UCX14-43	TX14	16.97
2-3/4	UCTX14-44																	UCX14-44		
2-15/16	UCTX15-47		1-1/4	13/16	4-3/8	2-3/4	1-5/8	4-3/4	1.102	6.496	7-1/4	9-1/4	2-3/4	2	5-1/2	3.252	2.879	UCX15-47	TX15	18.51
3	UCTX15-48																	UCX15-48		
3-3/16	UCTX16-51		1-1/2	1-1/8	4-7/8	2-7/8	1-7/8	6-3/16	1.102	6.811	7-13/16	10-1/4	2-7/8	2-1/8	6-3/8	3.374	3.094	UCX16-51	TX16	24.91
3-1/4	UCTX17-52		1-1/2	1-1/8	4-7/8	2-7/8	1-7/8	6-3/16	1.102	6.811	7-13/16	10-1/4	2-7/8	2-1/8	6-3/8	3.780	3.280	UCX17-52	TX17	24.24
3-7/16	UCTX17-55																	UCX17-55		
Dimensions (mm)																				
25	UCTX05		16	10	56	37	22	57	12	89	102	113	37	28	70	38.1	36.5	UCX05	TX05	2.90
30	UCTX06		16	13	64	37	22	64	12	89	102	129	37	30	78	42.9	40.5	UCX06	TX06	3.57
35	UCTX07		19	15	83	49	29	83	16	102	114	144	49	36	88	49.2	48.5	UCX07	TX07	5.80
40	UCTX08		19	15	83	49	29	83	16	102	117	144	49	36	87	49.2	48.5	UCX08	TX08	5.80
45	UCTX09		19	16	83	49	29	86	16	102	117	149	49	38	90	51.6	51.6	UCX09	TX09	6.24
50	UCTX10		25	19	102	64	35	95	22	130	146	171	64	42	106	55.6	54.1	UCX10	TX10	9.81
55	UCTX11		32	19	102	64	35	102	22	130	146	194	64	44	119	65.1	61.9	UCX11	TX11	11.6
60	UCTX12		32	21	111	70	41	121	26	151	167	224	70	48	137	65.1	63.5	UCX12	TX12	16.1
65	UCTX13		32	21	111	70	41	121	26	151	167	224	70	48	137	74.6	68.2	UCX13	TX13	16.5
70	UCTX14		32	21	111	70	41	121	26	151	167	232	70	48	140	77.8	68.3	UCX14	TX14	17.2
75	UCTX15		32	21	111	70	41	121	28	165	184	235	70	51	140	82.6	73.1	UCX15	TX15	18.8
80	UCTX16		38	28	124	73	48	157	28	173	198	260	73	54	162	85.7	78.6	UCX16	TX16	25.2
85	UCTX17		38	28	124	73	48	157	28	173	198	260	73	54	162	96	83.3	UCX17	TX17	24.5

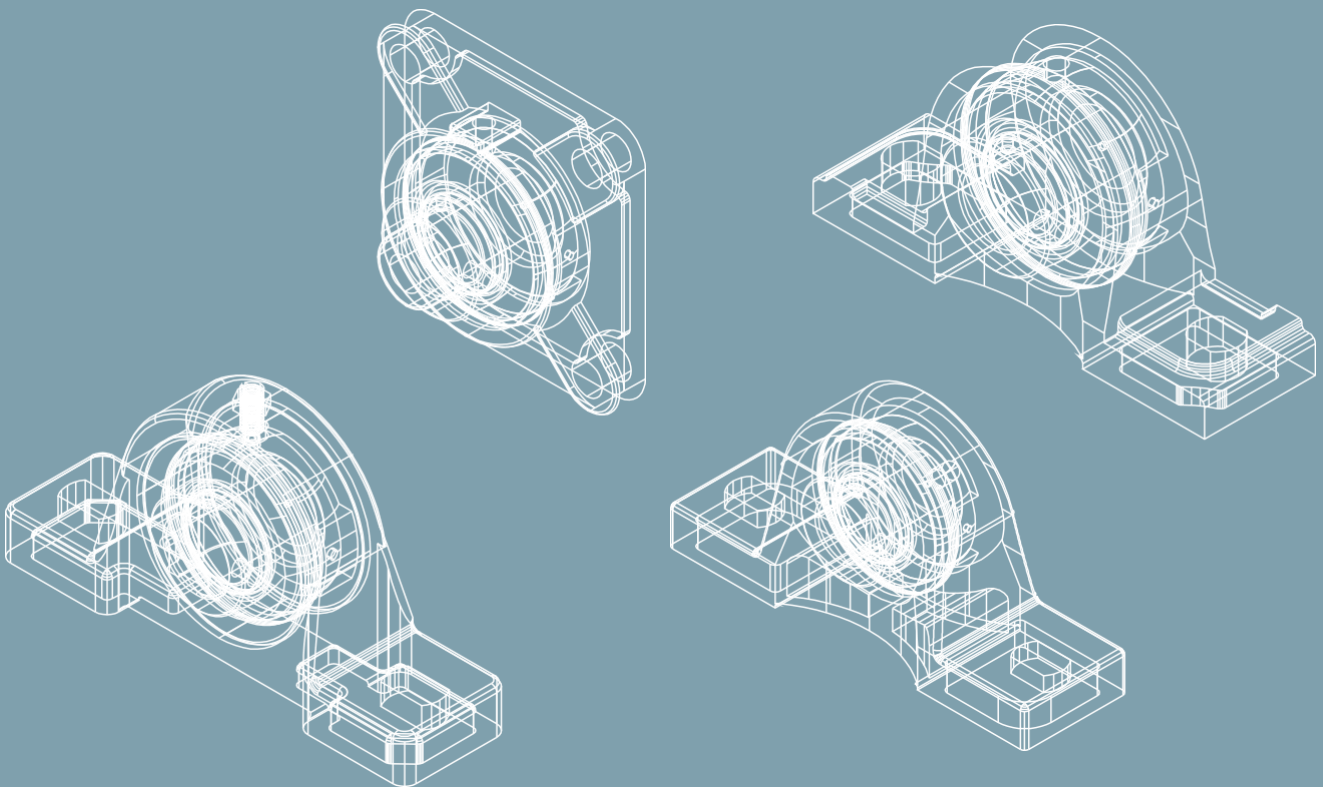
Lubrication fitting tap size 1/8-27 NPT

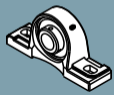
INTERCHANGES: UCTX



AMI

Heavy Duty

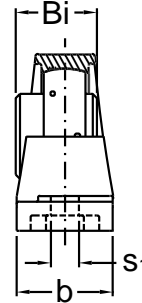
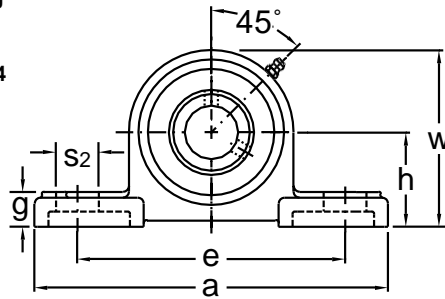




PILLOW BLOCKS

UCP 300

Set-Screw Locking
Wide Inner Ring
Cast Iron Housing
Insert detail-pg.124
Inch and Metric

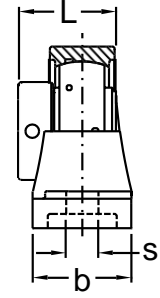
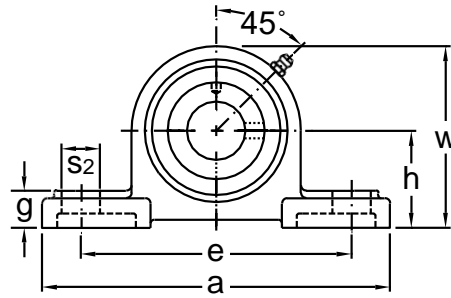
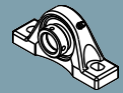


Shaft Diam (in.)	AMI Unit #	List Price	Dimensions (in.)										Bolt Size (in.)	Bearing #	Housing #	Weight (lb.)
			h	a	e		b	s1	s2	g	w	Bi				
1	UCP305-16		1-49/64	6-7/8	4-31/32	5-17/32	1-3/4	21/32	25/32	43/64	3-1/4	1.496	1/2	UC305-16	P305	3.53
1-3/16	UCP306-19		1-31/32	7-1/16	5-7/32	5-25/32	2	21/32	25/32	7/8	3-11/16	1.693	1/2	UC306-19	P306	4.19
1-1/4	UCP307-20		2-13/64	8-1/4	5-3/4	6-3/4	2-1/4	21/32	1	7/8	4-1/8	1.890	1/2	UC307-20	P307	5.95
1-7/16	UCP307-23		2-23/64	8-11/16	6-3/16	7-5/16	2-3/8	21/32	1-1/16	63/64	4-9/16	2.047	1/2	UC308-24	P308	7.27
1-1/2	UCP308-24		2-23/64	8-11/16	6-3/16	7-5/16	2-3/8	21/32	1-1/16	63/64	4-9/16	2.047	1/2	UC308-24	P308	7.27
1-11/16	UCP309-27		2-41/64	9-5/8	6-15/16	8-1/16	2-5/8	25/32	1-3/16	1	5-1/32	2.244	5/8	UC309-27	P309	9.92
1-3/4	UCP309-28		2-41/64	9-5/8	6-15/16	8-1/16	2-5/8	25/32	1-3/16	1	5-1/32	2.244	5/8	UC309-28	P309	9.92
1-7/8	UCP310-30		2-61/64	10-13/16	7-5/8	9-1/8	3-1/16	25/32	1-3/8	1-3/16	5-5/8	2.402	5/8	UC310-30	P310	13.66
1-15/16	UCP310-31		2-61/64	10-13/16	7-5/8	9-1/8	3-1/16	25/32	1-3/8	1-3/16	5-5/8	2.402	5/8	UC310-31	P310	13.66
2	UCP311-32		3-5/32	12-3/16	8-3/8	10-1/8	3-1/8	25/32	1-1/2	1-7/32	6-1/16	2.598	5/8	UC311-32	P311	16.97
2-3/16	UCP311-35		3-5/32	12-3/16	8-3/8	10-1/8	3-1/8	25/32	1-1/2	1-7/32	6-1/16	2.598	5/8	UC311-35	P311	16.97
2-7/16	UCP312-39		3-11/32	13-5/32	9-1/8	10-5/8	3-3/8	1	1-1/2	1-27/64	6-1/2	2.795	3/4	UC312-39	P312	20.50
2-1/2	UCP313-40		3-35/64	13-3/8	9-1/2	11	3-1/2	1	1-1/2	1-37/64	6-27/32	2.953	3/4	UC313-40	P313	21.60
2-11/16	UCP314-43		3-47/64	14-3/16	10-5/16	11-11/16	3-1/2	1-1/16	1-9/16	1-21/32	7-3/8	3.071	7/8	UC314-43	P314	25.13
2-3/4	UCP314-44		3-47/64	14-3/16	10-5/16	11-11/16	3-1/2	1-1/16	1-9/16	1-21/32	7-3/8	3.071	7/8	UC314-44	P314	25.13
2-15/16	UCP315-47		3-15/16	15-5/64	10-11/16	12-1/16	3-7/8	1-1/16	1-9/16	1-37/64	7-59/64	3.228	7/8	UC315-47	P315	29.97
3	UCP315-48		3-15/16	15-5/64	10-11/16	12-1/16	3-7/8	1-1/16	1-9/16	1-37/64	7-59/64	3.228	7/8	UC315-48	P315	29.97
3-3/16	UCP316-51		4-11/64	15-3/4	11-1/16	12-7/16	4-3/8	1-1/16	1-9/16	1-25/32	8-7/32	3.386	7/8	UC316-51	P316	36.15
3-1/4	UCP317-52		4-13/32	16-9/16	11-27/32	13-13/32	4-3/8	1-5/16	1-25/32	1-45/64	8-11/16	3.780	1	UC317-52	P317	40.99
3-7/16	UCP318-55		4-41/64	16-15/16	12-7/32	13-25/32	4-3/8	1-5/16	1-45/64	1-31/32	9-1/4	3.780	1	UC318-55	P318	46.06
3-1/2	UCP318-56		4-41/64	16-15/16	12-7/32	13-25/32	4-3/8	1-5/16	1-45/64	1-31/32	9-1/4	3.780	1	UC318-56	P318	46.06
3-3/4	UCP319-60		4-59/64	18-1/2	13-19/32	14-31/32	4-3/4	1-1/2	1-31/32	2-3/64	10	4.055	1-1/8	UC319-60	P319	58.41
3-15/16	UCP320-63		5-33/64	19-5/16	14-5/32	15-27/32	4-3/4	1-13/32	1-31/32	2-11/64	10-29/32	4.252	1-1/8	UC320-63	P320	75.60
4	UCP320-64		5-33/64	19-5/16	14-5/32	15-27/32	4-3/4	1-13/32	1-31/32	2-11/64	10-29/32	4.252	1-1/8	UC320-64	P320	75.60
4-7/16	UCP322-71		5-29/32	20-11/16	14-7/8	16-5/8	5-1/2	1-9/16	2-5/32	2-1/4	11-45/64	4.606	1-1/4	UC322-71	P322	94.8
Dimensions (mm)																
25	UCP305		45	175	126	141	45	17	20	17	83	38	M14	UC305	P305	3.57
30	UCP306		50	180	133	147	50	17	20	22	94	43	M14	UC306	P306	4.24
35	UCP307		56	210	146	172	56	17	25	22	105	48	M14	UC307	P307	6.06
40	UCP308		60	220	157	186	60	17	27	25	116	52	M14	UC308	P308	7.36
45	UCP309		67	245	176	205	67	20	30	26	128	57	M16	UC309	P309	10.0
50	UCP310		75	275	194	232	78	20	35	30	143	61	M16	UC310	P310	13.8
55	UCP311		80	310	213	257	80	20	38	31	154	66	M16	UC311	P311	17.2
60	UCP312		85	334	232	270	85	25	38	36	165	71	M20	UC312	P312	20.7
65	UCP313		90	340	241	279	90	25	38	40	174	75	M20	UC313	P313	21.9
70	UCP314		95	360	262	297	90	27	40	42	187	78	M22	UC314	P314	25.4
75	UCP315		100	383	272	306	100	27	40	40	201	82	M22	UC315	P315	30.3
80	UCP316		106	400	281	316	110	27	40	45	209	86	M22	UC316	P316	36.6
85	UCP317		112	420	301	341	110	33	45	43	221	96	M27	UC317	P317	41.5
90	UCP318		118	430	310	350	110	33	43	50	235	96	M27	UC318	P318	46.6
95	UCP319		125	470	337	380	120	38	50	52	253	103	M30	UC319	P319	59.1
100	UCP320		140	490	360	402	120	36	50	55	277	108	M30	UC320	P320	76.5
105	UCP321		140	490	360	402	120	36	50	55	277	112	M30	UC321	P321	81.6
110	UCP322		150	525	378	422	140	40	55	57	297	117	M33	UC322	P322	94.8
120	UCP324		160	565	428	472	140	40	55	67	320	126	M33	UC324	P324	119
130	UCP326		180	600	458	502	140	40	55	80	355	135	M33	UC326	P326	161
140	UCP328		200	615	478	522	140	40	55	80	390	145	M33	UC328	P328	199

Lubrication fitting tap size 1/8-27 NPT

INTERCHANGES: UCP3

HEAVY DUTY



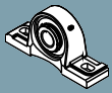
Eccentric Locking
Wide Inner Ring
Cast Iron Housing
Insert detail-pg.125
Inch and Metric

HEAVY DUTY

Shaft Diam (in.)	AMI Unit #	List Price	Dimensions (in.)											Bolt Size (in.)	Bearing #	Housing #	Weight (lb.)
			h	a	e		b	s1	s2	g	w	L					
1-7/16	UGP307-23		2-13/64	8-1/4	5-3/4	6-3/4	2-1/4	21/32	1	13/16	4-1/8	2.031	1/2	UG307-23	P307	6.13	
1-1/2	UGP308-24		2-23/64	8-11/16	6-3/16	7-5/16	2-3/8	21/32	1-1/16	29/32	4-9/16	2.248	1/2	UG308-24	P308	7.63	
1-11/16	UGP309-27		2-41/64	9-5/8	6-15/16	8-1/16	2-5/8	25/32	1-3/16	1	5-1/32	2.311	5/8	UG309-27	P309	10.36	
1-15/16	UGP310-31		2-61/64	10-13/16	7-5/8	9-1/8	3-1/16	25/32	1-3/8	1-3/16	5-5/8	2.622	5/8	UG310-31	P310	14.30	
2-3/16	UGP311-35		3-5/32	12-3/16	8-3/8	10-1/8	3-1/8	25/32	1-1/2	1-7/32	6-1/16	2.874	5/8	UG311-35	P311	17.53	
2-7/16	UGP312-39		3-11/32	13-5/32	9-1/8	10-5/8	3-3/8	1	1-1/2	1-27/64	6-1/2	3.126	3/4	UG312-39	P312	20.98	
2-11/16	UGP314-43		3-47/64	14-3/16	10-5/16	11-11/16	3-1/2	1-1/16	1-9/16	1-21/32	7-3/8	3.626	7/8	UG314-43	P314	26.47	
2-15/16 3	UGP315-47 UGP315-48		3-15/16	15-5/64	10-11/16	12-1/16	3-7/8	1-1/16	1-9/16	1-37/64	7-59/64	3.937	7/8	UG315-47 UG315-48	P315	32.17	
Dimensions (mm)																	
45	UGP309		67	245	176	205	67	20	30	26	128	58.7		UG309	P309	10.36	
50	UGP310		75	275	194	232	78	20	35	30	143	66.6	M16	UG310	P310	14.30	
55	UGP311		80	310	213	257	80	20	38	31	154	73.0		UG311	P311	17.53	
60	UGP312		85	334	232	270	85	25	38	36	165	79.4	M20	UG312	P312	20.98	
70	UGP314		95	360	262	297	90	27	40	42	187	92.1	M22	UG314	P314	26.47	
75	UGP315		100	383	272	306	100	27	40	40	201	100.0	M22	UG315	P315	32.17	
90	UGP318		118	430	310	350	110	33	43	50	235	115.9	M27	UG318	P318	50.00	

Lubrication fitting tap size 1/8-27 NPT

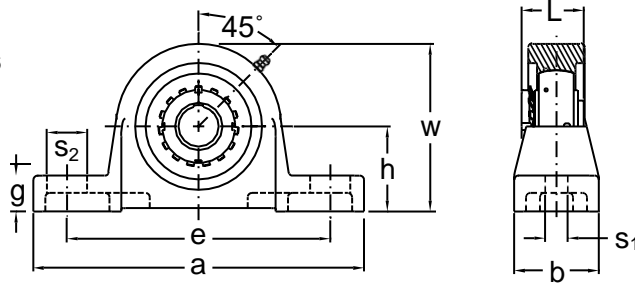
INTERCHANGES: UELP3



PILLOW BLOCKS

UKP-U 300+H

Tapered Adapter Sleeve
Wide Inner Ring
Cast Iron Housing
Insert detail-pg.126
Inch

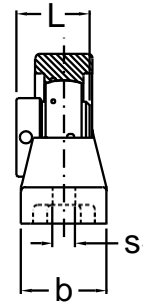
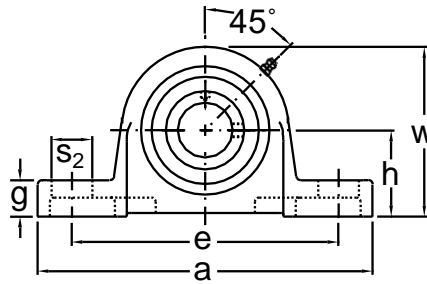
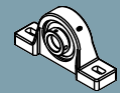


Shaft Diam (in.)	AMI Unit #	List Price	Dimensions (in.)										Bolt Size (in.)	Bearing #	Housing #	Weight (lb.)	
			h	a	e		b	s ₁	s ₂	g	w	L					
					Min.	Max.											
7/8	UKPU306+HS2306																
15/16	UKPU306+HA2306		2-1/8	8-1/4	5-7/8	7	2.250	0.551	1.063	15/16	4.250	1.496	1/2	UK306+HS2306	P-U306	6.4	
1	UKPU306+HE2306													UK306+HA2306			
														UK306+HE2306			
1-1/8	UKPU307+HS2307													UK307+HS2307	P-U307	7.8	
1-3/16	UKPU307+HA2307		2-3/8	9-1/4	6-47/64	7-63/64	2.362	0.625	1.125	1	4.685	1.693	9/16	UK307+HA2307			
1-7/16	UKPU309+HA2309													UK309+HA2309	P-U309	12.4	
1-1/2	UKPU309+HE2309		2-7/8	10-1/4	7-5/8	8-7/8	3.000	0.625	1.125	1-5/16	5.625	1.969	9/16	UK309+HE2309		12.2	
1-5/8	UKPU309+HS2309													UK309+HS2309		12.0	
1-11/16	UKPU310+HA2310													UK310+HA2310	P-U310	16.0	
1-3/4	UKPU310+HE2310		3-1/8	11-9/64	8-17/64	9-33/64	3.150	0.625	1.125	1-3/8	6.219	2.165	9/16	UK310+HE2310		15.8	
1-7/8	UKPU311+HS2311													UK311+HS2311	P-U311	20.6	
1-15/16	UKPU311+HA2311		3-1/2	12-41/64	9-49/64	10-49/64	3.386	0.787	1.250	1-1/2	6.811	2.323	3/4	UK311+HA2311		20.8	
2	UKPU311+HE2311													UK311+HE2311		20.6	
2-1/16	UKPU312+HA2312													UK312+HA2312	P-U312	26.4	
2-1/8	UKPU312+HS2312		3-5/8	13-3/4	10-5/8	11-7/8	3.500	0.787	1.375	1-5/8	7.197	2.441	3/4	UK312+HS2312		26.2	
2-7/16	UKPU315+HA2315													UK315+HA2315	P-U315	38.8	
2-1/2	UKPU315+HE2315		4-1/4	15-1/8	11-1/4	12-3/4	4.000	1.024	1.654	1-3/4	8.295	2.874	7/8	UK315+HE2315		38.6	
3-7/16	UKPU320+HA2320													UK320+HA2320	P-U320	79.2	
3-1/2	UKPU320+HE2320		5-11/16	17-21/64	14	15	5.000	1.063	1.500	2-9/16	11.063	3.819	1	UK320+HE2320		79.0	

Lubrication fitting tap size 1/8-27 NPT

INTERCHANGES: P-U3K

HEAVY DUTY



Eccentric Locking
Wide Inner Ring
Cast Iron Housing
Insert detail-pg.125
Inch and Metric

HEAVY DUTY

Shaft Diam (in.)	AMI Unit #	List Price	Dimensions (in.)											Bolt Size (in.)	Bearing #	Housing #	Weight (lb.)
			h	a	e		b	s ₁	s ₂	g	w	L					
1-7/16	UGPU307-23		2-3/8	9-1/4	6-47/64	7-63/64	2.362	0.625	1.125	1	4.685	2.031	9/16	UG307-23	P-U307	7.84	
1-11/16	UGPU309-27		2-7/8	10-1/4	7-5/8	8-7/8	3.000	0.625	1.125	1-5/16	5.625	2.311	9/16	UG309-27	P-U309	12.72	
1-15/16	UGPU310-31		3-1/8	11-9/64	8-17/64	9-33/64	3.150	0.625	1.125	1-3/8	6.219	2.622	9/16	UG310-31	P-U310	16.66	
2-3/16	UGPU311-35		3-1/2	12-41/64	9-49/64	10-49/64	3.386	0.787	1.250	1-1/2	6.811	2.874	3/4	UG311-35	P-U311	21.08	
2-7/16	UGPU312-39		3-5/8	13-3/4	10-5/8	11-7/8	3.500	0.787	1.375	1-5/8	7.197	3.126	3/4	UG312-39	P-U312	30.20	
2-11/16	UGPU314-43		4	14-5/8	11-5/64	12-35/64	3.750	1.024	1.614	1-3/4	7.938	3.626	7/8	UG314-43	P-U314	34.76	
2-15/16 3	UGPU315-47 UGPU315-48		4-1/4	15-1/8	11-1/4	12-3/4	4.000	1.024	1.654	1-3/4	8.295	3.937	7/8	UG315-47 UG315-48	P-U315	39.32	
Dimensions (mm)																	
45	UGPU309		73.0	261	194	225	76	16	28.5	33.3	143.0	58.7	M14	UG309	P-U309	10.36	
50	UGPU310		79.4	283	210	242	80	16	28.5	35	158.0	66.6	M14	UG310	P-U310	14.30	
55	UGPU311		88.9	321	248	273	86	20	32	38	173.0	73.0	M18	UG311	P-U311	17.53	
60	UGPU312		92.1	349.2	270	302	88.9	20	35	41.3	182.8	79.4	M18	UG312	P-U312	20.98	
70	UGPU314		101.6	371.5	281	319	95.2	26	41	44.4	201.6	92.1	M24	UG314	P-U314	26.47	
75	UGPU315		108.0	384.2	286	324	101.8	26	42	44.4	210.7	100.0	M24	UG315	P-U315	32.17	

Lubrication fitting tap size 1/8-27 NPT

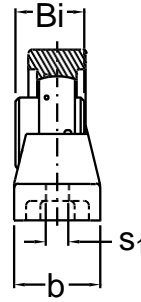
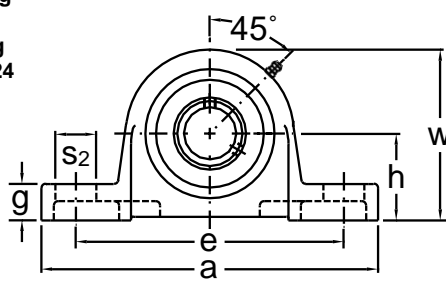
INTERCHANGES: P-Y3



PILLOW BLOCKS

UCP-U 300

**Set-Screw Locking
Wide Inner Ring
Cast Iron Housing
Insert detail-pg.124
Inch and Metric**

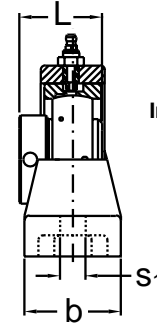
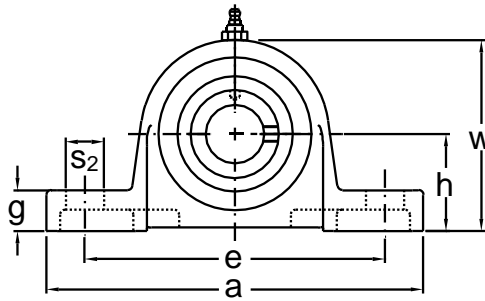
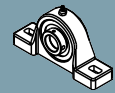


Shaft Diam (in.)	AMI Unit #	List Price	Dimensions (in.)										Bolt Size (in.)	Bearing #	Housing #	Weight (lb.)	
			h	a	e		b	c ₁	c ₂	d	w	r _i					
1-3/16	UCPU306-19		2-1/8	8-1/4	5-7/8	7	2.250	0.551	1.063	15/16	4.250	1.693	1/2	UC306-19	P-U306	6.63	
1-1/4	UCPU307-20		2-3/8	9-1/4	6-47/64	7-63/64	2.362	0.625	1.125	1	4.685	1.890	9/16	UC307-20	P-U307	7.66	
1-7/16	UCPU307-23													UC307-23			
1-11/16	UCPU309-27		2-7/8	10-1/4	7-5/8	8-7/8	3.000	0.625	1.125	1-5/16	5.625	2.244	9/16	UC309-27	P-U309	12.28	
1-3/4	UCPU309-28													UC309-28			
1-7/8	UCPU310-30		3-1/8	11-9/64	8-17/64	9-33/64	3.150	0.625	1.125	1-3/8	6.219	2.402	9/16	UC310-30	P-U310	16.02	
1-15/16	UCPU310-31													UC310-31			
2	UCPU311-32		3-1/2	12-41/64	9-49/64	10-49/64	3.386	0.787	1.250	1-1/2	6.811	2.598	3/4	UC311-32	P-U311	20.52	
2-3/16	UCPU311-35													UC311-35			
2-7/16	UCPU312-39		3-5/8	13-3/4	10-5/8	11-7/8	3.500	0.787	1.375	1-5/8	7.197	2.795	3/4	UC312-39	P-U312	29.72	
2-11/16	UCPU314-43		4	14-5/8	11-5/64	12-35/64	3.750	1.024	1.614	1-3/4	7.938	3.071	7/8	UC314-43	P-U314	33.42	
2-3/4	UCPU314-44													UC314-44			
2-15/16	UCPU315-47		4-1/4	15-1/8	11-1/4	12-3/4	4.000	1.024	1.654	1-3/4	8.295	3.228	7/8	UC315-47	P-U315	37.12	
3	UCPU315-48													UC315-48			
3-3/16	UCPU316-51		4-9/16	15-25/64	11-1/2	13	4.173	1.063	1.614	1-59/64	9.016	3.386	1	UC316-51	P-U316	40.30	
3-7/16	UCPU318-55		5-1/8	16-9/64	12-1/8	13-5/8	5.000	1.063	1.614	2-1/4	10.079	3.780	1	UC318-55	P-U318	60.30	
3-1/2	UCPU318-56													UC318-56			
3-15/16	UCPU320-63		5-11/16	17-21/64	13-7/8	15-1/8	5.000	1.063	1.496	2-9/16	11.063	4.252	1	UC320-63	P-U320	78.70	
4	UCPU320-64													UC320-64			
Dimensions (mm)																	
30	UCPU306		54.0	210	149	178	57.2	14	27	23.8	108.0	43	M12	UC306	P-U306	6.65	
35	UCPU307		60.3	235	171	203	60	16	28.5	25.4	119.0	48	M14	UC307	P-U307	7.68	
45	UCPU309		73.0	261	194	225	76	16	28.5	33.3	143.0	57	M14	UC309	P-U309	12.31	
50	UCPU310		79.4	283	210	242	80	16	28.5	35	158.0	61	M14	UC310	P-U310	16.06	
55	UCPU311		88.9	321	248	273	86	20	32	38	173.0	66	M18	UC311	P-U311	20.58	
60	UCPU312		92.1	349	270	302	88.9	20	35	41.3	182.8	71	M20	UC312	P-U312	29.79	
70	UCPU314		101.6	372	281	319	95.2	26	41	44.4	201.6	78		UC314	P-U314	33.55	
75	UCPU315		108	384	286	324	101.8	26	42	44.4	210.7	82	M24	UC315	P-U315	37.30	
80	UCPU316		115.9	391	292	330	106	27	41	49	229	86		UC316	P-U316	40.30	
90	UCPU318		130.2	410	308	346	127	27	41	57	256	96	M24	UC318	P-U318	60.30	
100	UCPU320		144.5	440	352	384	127	27	38	65	281	108		UC320	P-U320	78.70	

Lubrication fitting tap size 1/8-27 NPT

INTERCHANGES: P-U3

HEAVY DUTY



Eccentric Locking
Wide Inner Ring
Cast Iron Housing
Expansion Type
Insert detail-pg.125
Inch and Metric

HEAVY DUTY

Shaft Diam (in.)	AMI Unit #	List Price	Dimensions (in.)										Bolt Size (in.)	Bearing #	Housing #	Weight (lb.)	
			h	a	e		b	s1	s2	g	w	L					
1-7/16	UGPEU307-23		2-3/8	9-1/4	6-47/64	7-63/64	2.362	0.625	1.125	1	4.685	2.031	9/16	UG207-23	PE-U307	6.13	
1-11/16	UGPEU309-27		2-7/8	10-1/4	7-5/8	8-7/8	3.000	0.625	1.125	1-5/16	5.625	2.311	9/16	UG309-27	PE-U309	10.36	
1-15/16	UGPEU310-31		3-1/8	11-9/64	8-17/64	9-33/64	3.150	0.625	1.125	1-3/8	6.219	2.622	9/16	UG310-31	PE-U310	14.30	
2-3/16	UGPEU311-35		3-1/2	12-41/64	9-49/64	10-49/64	3.386	0.787	1.250	1-1/2	6.811	2.874	3/4	UG311-35	PE-U311	17.53	
2-7/16	UGPEU312-39		3-5/8	13-3/4	10-5/8	11-7/8	3.500	0.787	1.375	1-5/8	7.197	3.126	3/4	UG312-39	PE-U312	20.98	
2-11/16	UGPEU314-43		4	14-5/8	11-5/64	12-35/64	3.750	1.024	1.614	1-3/4	7.938	3.626	7/8	UG314-43	PE-U314	26.47	
2-15/16	UGPEU315-47		4-1/4	15-1/8	11-1/4	12-3/4	4.000	1.024	1.654	1-3/4	8.295	3.937	7/8	UG315-47 UG315-48	PE-U315	32.17	
3	UGPEU315-48																
Dimensions (mm)																	
45	UGPEU309		73.0	261	194	225	76	16	28.5	33.3	143.0	58.7	M14	UG309	PE-U309	10.36	
50	UGPEU310		79.4	283	210	242	80	16	28.5	35	158.0	66.6	M14	UG310	PE-U310	14.30	
55	UGPEU311		88.9	321	248	273	86	20	32	38	173.0	73.0	M18	UG311	PE-U311	17.53	
60	UGPEU312		92.1	349.2	270	302	88.9	20	35	41.3	182.8	79.4	M18	UG312	PE-U312	20.98	
70	UGPEU314		101.6	371.5	281	319	95.2	26	41	44.4	201.6	92.1	M24	UG314	PE-U314	26.47	
75	UGPEU315		108.0	384.2	286	324	101.8	26	42	44.4	210.7	100.0	M24	UG315	PE-U315	32.17	

Lubrication fitting tap size 1/8-27 NPT

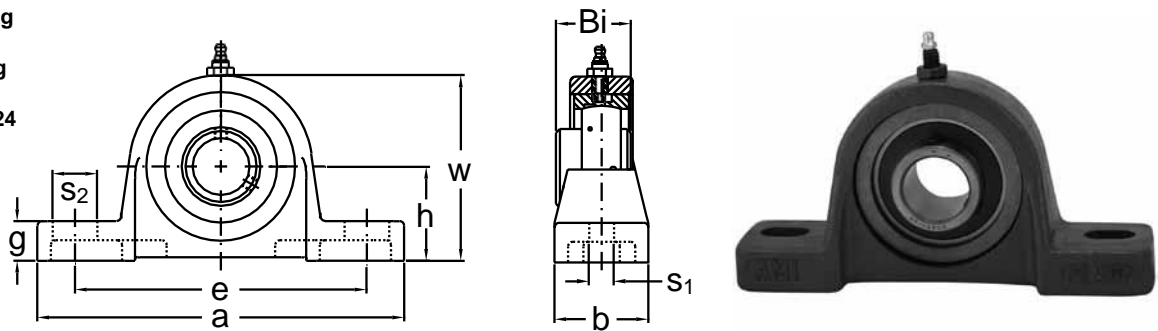
INTERCHANGES: PE-Y3



EXPANSION PILLOW BLOCKS

UCPE-U 300

Set-Screw Locking
Wide Inner Ring
Cast Iron Housing
Expansion Type
Insert detail-pg.124
Inch and Metric

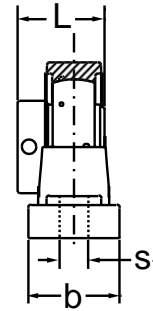
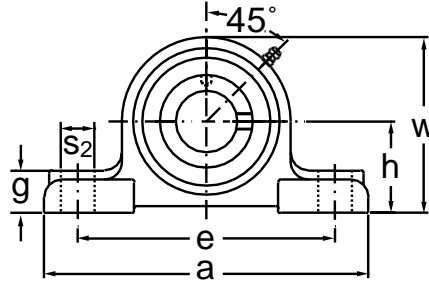
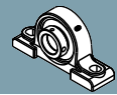


Shaft Diam (in.)	AMI Unit #	List Price	Dimensions (in.)										Bolt Size (in.)	Bearing #	Housing #	Weight (lb.)
			h	a	e		b	s1	s2	g	w	Bi				
1-1/4	UCPEU307-20		2-3/8	9-1/4	6-47/64	7-63/64	2.362	0.625	1.125	1	4.685	1.890	9/16	UC307-20	PE-U307	7.80
1-7/16	UCPEU307-23				7-5/8	8-7/8										
1-11/16	UCPEU309-27		2-7/8	10-1/4	7-5/8	8-7/8	3.000	0.625	1.125	1-5/16	5.625	2.244	9/16	UC309-27	PE-U309	12.10
1-3/4	UCPEU309-28															
1-7/8	UCPEU310-30		3-1/8	11-9/64	8-17/64	9-33/64	3.150	0.625	1.125	1-3/8	6.219	2.402	9/16	UC310-30	PE-U310	15.74
1-15/16	UCPEU310-31															
2	UCPEU311-32		3-1/2	12-41/64	9-49/64	10-49/64	3.386	0.787	1.250	1-1/2	6.811	2.598	3/4	UC311-32	PE-U311	20.62
2-3/16	UCPEU311-35															
2-7/16	UCPEU312-39		3-5/8	13-3/4	10-5/8	11-7/8	3.500	0.787	1.375	1-5/8	7.197	2.795	3/4	UC312-39	PE-U312	25.59
2-11/16	UCPEU314-43															
2-3/4	UCPEU314-44		4	14-5/8	11-5/64	12-35/64	3.750	1.024	1.614	1-3/4	7.938	3.071	7/8	UC314-43	PE-U314	31.42
2-15/16	UCPEU315-47															
3	UCPEU315-48		4-1/4	15-1/8	11-1/4	12-3/4	4.000	1.024	1.654	1-3/4	8.295	3.228	7/8	UC315-47	PE-U315	36.76
3-3/16	UCPEU316-51															
3-7/16	UCPEU318-55		4-9/16	15-25/64	11-1/2	13	4.173	1.063	1.614	1-59/64	9.016	3.386	1	UC316-51	PE-U316	36.94
3-1/2	UCPEU318-56															
3-15/16	UCPEU320-63		5-11/16	17-21/64	12-1/8	13-5/8	5.000	1.063	1.614	2-1/4	10.079	3.780	1	UC318-55	PE-U318	60.30
4	UCPEU320-64															
Dimensions (mm)																
35	UCPEU307		60.3	235	171	203	60	16	28.5	25.4	119.0	48		UC307	PE-U307	7.82
45	UCPEU309		73.0	261	194	225	76	16	28.5	33.3	143.0	57	M14	UC309	PE-U309	12.13
50	UCPEU310		79.4	283	210	242	80	16	28.5	35	158.0	61		UC310	PE-U310	15.78
55	UCPEU311		88.9	321	248	273	86	20	32	38	173.0	66	M18	UC311	PE-U311	20.68
60	UCPEU312		92.1	349	270	302	88.9	20	35	41.3	182.8	71	M18	UC312	PE-U312	25.66
70	UCPEU314		101.6	372	281	319	95.2	26	41	44.4	201.6	78	M24	UC314	PE-U314	31.52
75	UCPEU315		108	384	286	324	101.8	26	42	44.4	210.7	82		UC315	PE-U315	36.76
80	UCPEU316		115.9	391	292	330	106	27	41	49	229	86	M24	UC316	PE-U316	36.94
90	UCPEU318		130.2	410	308	346	127	27	41	57	256	96		UC318	PE-U318	60.30
100	UCPEU320		144.5	440	356	381	127	27	38	65	281	108	M24	UC320	PE-U320	73.75

Lubrication fitting tap size 1/8-27 NPT

INTERCHANGES: PE-U3

HEAVY DUTY



Eccentric Locking
Wide Inner Ring
Cast Iron Housing
Insert detail-pg.125
Inch and Metric

HEAVY DUTY

Shaft Diam (in.)	AMI Unit #	List Price	Dimensions (in.)											Bolt Size (in.)	Bearing #	Housing #	Weight (lb.)
			h	a	e		b	s1	s2	g	w	L					
1-7/16	UGAO307-23		2-1/8	7-9/16	5.713	6.287	2-1/8	0.669	0.787	63/64	4-3/32	2.031	1/2	UG307-23	AO307	5.68	
1-1/2	UGAO308-24		2-3/8	8-1/2	6.351	7.149	2-13/32	0.787	1.024	1-1/16	4-21/32	2.248	5/8	UG308-24	AO308	8.18	
1-11/16	UGAO309-27		2-5/8	9-7/16	7.101	7.899	2-41/64	0.787	1.024	1-3/16	5-1/8	2.311	5/8	UG309-27	AO309	10.70	
1-15/16	UGAO310-31		2-13/16	10-7/16	7.851	8.649	2-61/64	0.787	1.024	1-19/64	5-19/32	2.622	5/8	UG310-31	AO310	14.78	
2-3/16	UGAO311-35		3-1/16	11-5/16	8.608	9.392	3-9/64	0.906	1.142	1-1/2	6-1/32	2.874	3/4	UG311-35	AO311	18.08	
2-7/16	UGAO312-39		3-5/16	12-19/64	9.358	10.142	3-5/16	0.906	1.142	1-37/64	6-17/32	3.126	3/4	UG312-39	AO312	22.71	
2-11/16	UGAO314-43		3-13/16	14-11/64	10.786	11.714	3-25/32	1.024	1.339	1-13/16	7-9/16	3.626	7/8	UG314-43	AO314	34.88	
2-15/16	UGAO315-47		4-1/8	15-1/8	11.536	12.464	4-1/16	1.024	1.339	1-59/64	8-5/64	3.937	7/8	UG315-47	AO315	43.22	
3	UGAO315-48													UG315-48			
Dimensions (mm)																	
45	UGAO309		66.7	240	180	201	67	20	26	30	130	58.7	M16	UG309	AO309	10.70	
50	UGAO310		71.4	265	199	220	75	20	26	33	142	66.6	M16	UG310	AO310	14.78	
55	UGAO311		77.8	287	219	239	80	23	29	38	153	73.0	M20	UG311	AO311	18.08	
60	UGAO312		84.1	312	238	258	84	23	29	40	166	79.4	M20	UG312	AO312	22.71	
70	UGAO314		96.8	360	274	298	96	26	34	46	192	92.1	M22	UG314	AO314	34.88	
75	UGAO315		104.8	384	293	317	103	26	34	49	205	100.0	M22	UG315	AO315	43.22	

Lubrication fitting tap size 1/8-27 NPT

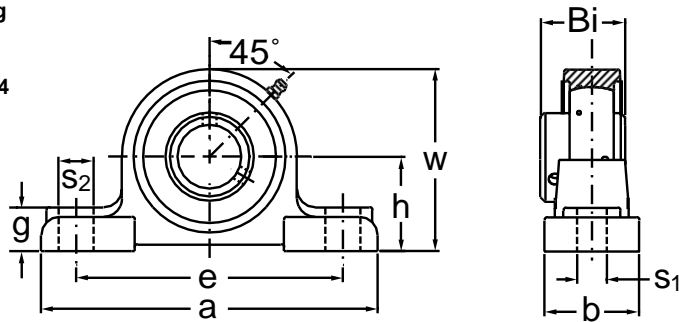
INTERCHANGES: RAO PLY3-N



PILLOW BLOCKS

UCAO 300

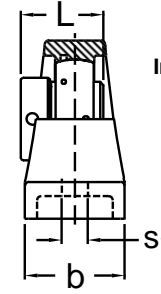
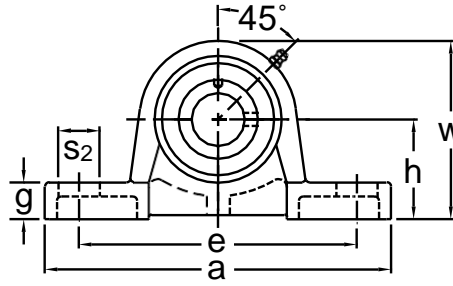
**Set-Screw Locking
Wide Inner Ring
Cast Iron Housing
Insert detail-pg.124
Inch and Metric**



Shaft Diam (in.)	AMI Unit #	List Price	Dimensions (in.)										Bolt Size (in.)	Bearing #	Housing #	Weight (lb.)
			h	a	Min. e	Max. e	b	s1	s2	g	w	Bi				
1-3/16	UCAO306-19		1-7/8	6-13/16	5.088	5.662	1-59/64	0.669	0.787	29/32	3-25/32	1.693	1/2	UC306-19	AO306	4.11
1-1/4	UCAO307-20		2-1/8	7-9/16	5.713	6.287	2-1/8	0.669	0.787	63/64	4-3/32	1.890	1/2	UC307-20	AO307	5.50
1-7/16	UCAO307-23													UC307-23		
1-1/2	UCAO308-24		2-3/8	8-1/2	6.351	7.149	2-13/32	0.787	1.024	1-1/16	4-21/32	2.047	5/8	UC308-24	AO308	7.82
1-11/16	UCAO309-27													UC309-27		
1-3/4	UCAO309-28		2-5/8	9-7/16	7.101	7.899	2-41/64	0.787	1.024	1-3/16	5-1/8	2.244	5/8	UC309-28	AO309	10.26
1-7/8	UCAO310-30													UC310-30		
1-15/16	UCAO310-31		2-13/16	10-7/16	7.851	8.649	2-61/64	0.787	1.024	1-19/64	5-19/32	2.402	5/8	UC310-31	AO310	14.14
2	UCAO311-32													UC311-32		
2-3/16	UCAO311-35		3-1/16	11-5/16	8.608	9.392	3-9/64	0.906	1.142	1-1/2	6-1/32	2.598	3/4	UC311-35	AO311	17.52
2-7/16	UCAO312-39		3-5/16	12-19/64	9.358	10.142	3-5/16	0.906	1.142	1-37/64	6-17/32	2.795	3/4	UC312-39	AO312	22.23
2-11/16	UCAO314-43													UC314-43		
2-3/4	UCAO314-44		3-13/16	14-11/64	10.786	11.714	3-25/32	1.024	1.339	1-13/16	7-9/16	3.071	7/8	UC314-44	AO314	33.54
2-15/16	UCAO315-47													UC315-47		
3	UCAO315-48		4-1/8	15-1/8	11.536	12.464	4-1/16	1.024	1.339	1-59/64	8-5/64	3.228	7/8	UC315-48	AO315	41.02
Dimensions (mm)																
30	UCAO306		47.6	173	129	144	49	17	20	23	96	43	M14	UC306	AO306	4.13
35	UCAO307		54.0	192	145	160	54	17	20	25	104	48	M14	UC307	AO307	5.52
40	UCAO308		60.3	216	161	182	61	20	26	27	118	52	M16	UC308	AO308	7.85
45	UCAO309		66.7	240	180	201	67	20	26	30	130	57	M16	UC309	AO309	10.29
50	UCAO310		71.4	265	199	220	75	20	26	33	142	61	M16	UC310	AO310	14.18
55	UCAO311		77.8	287	219	239	80	23	29	38	153	66	M20	UC311	AO311	17.58
60	UCAO312		84.1	312	238	258	84	23	29	40	166	71	M20	UC312	AO312	22.30
70	UCAO314		96.8	360	274	298	96	26	34	46	192	78	M22	UC314	AO314	33.64
75	UCAO315		104.8	384	293	317	103	26	34	49	205	82	M22	UC315	AO315	41.20

Lubrication fitting tap size 1/8-27 NPT

HEAVY DUTY



Eccentric Locking
Wide Inner Ring
Cast Iron Housing
Insert detail-pg.125
Inch and Metric

HEAVY DUTY

Shaft Diam (in.)	AMI Unit #	List Price	Dimensions (in.)										Bolt Size (in.)	Bearing #	Housing #	Weight (lb.)	
			h	a	e		b	s1	s2	g	w	L					
1-7/16	UGSAO307-23		2-3/4	10-5/8	7.789	8.743	2-3/4	0.750	1.102	15/16	4-13/16	2.031	5/8	UG307-23	SAO307	8.04	
1-1/2	UGSAO308-24		3-1/8	11-3/8	8.500	9.532	3-1/8	0.750	1.141	1-3/16	5-45/64	2.248	5/8	UG308-24	SAO308	12.40	
1-11/16	UGSAO309-27		3-1/8	11-3/8	8.500	9.532	3-1/8	0.750	1.141	1-3/16	5-45/64	2.311	5/8	UG309-27	SAO309	12.50	
1-15/16	UGSAO310-31		3-1/8	11-3/8	8.500	9.532	3-1/8	0.750	1.141	1-19/64	5-53/64	2.622	5/8	UG310-31	SAO310	16.11	
2-3/16	UGSAO311-35		3-3/4	12-19/32	9.500	11.000	3-1/2	0.875	1.375	1-13/32	6-45/64	2.874	3/4	UG311-35	SAO311	19.72	
2-7/16	UGSAO312-39		4-1/8	13-3/4	10.625	11.875	4	0.875	1.375	1-1/2	7-21/64	3.126	3/4	UG312-39	SAO312	30.89	
2-11/16	UGSAO314-43		4-9/16	15-23/64	11.500	12.500	4-3/8	0.984	1.375	1-3/4	8-1/4	3.626	7/8	UG314-43	SAO314	36.51	
2-15/16	UGSAO315-47		4-9/16	15-23/64	11.343	13.375	4-3/8	0.984	1.891	1-57/64	8-45/64	3.937	7/8	UG315-47	SAO315	42.06	
3	UGSAO315-48													UG315-48	SAO315		
Dimensions (mm)																	
45	UGSAO309		79.4	289	216	242	79	19	29	30	145	58.7	M16	UG309	SAO309	10.36	
50	UGSAO310		79.4	289	216	242	79	19	29	33	148	66.6	M16	UG310	SAO310	14.30	
55	UGSAO311		95.2	320	241	279	89	22	35	36	170	73.0	M20	UG311	SAO311	17.53	
60	UGSAO312		104.8	349	270	302	101	22	35	38	186	79.4	M20	UG312	SAO312	20.98	
70	UGSAO314		115.9	390	292	318	111	25	35	44	210	92.1	M22	UG314	SAO314	26.47	
75	UGSAO315		115.9	390	288	340	111	25	48	48	221	100.0	M22	UG315	SAO315	32.17	

Lubrication fitting tap size 1/8-27 NPT

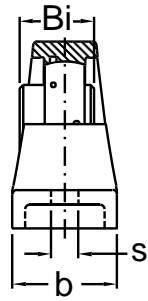
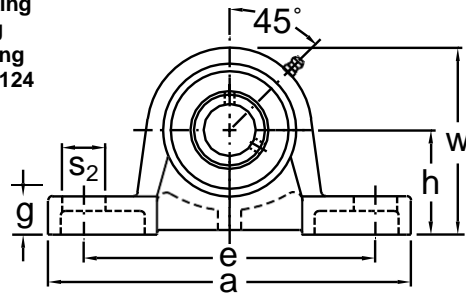
INTERCHANGES: **RSAO** **P2U3**



PILLOW BLOCKS

UCSAO 300

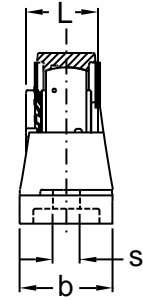
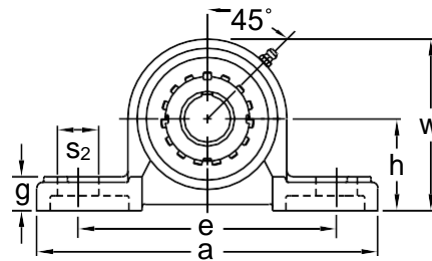
**Set-Screw Locking
Wide Inner Ring
Cast Iron Housing
Insert detail-pg.124
Inch and Metric**



Shaft Diam (in.)	AMI Unit #	List Price	Dimensions (in.)										Bolt Size (in.)	Bearing #	Housing #	Weight (lb.)	
			h	a	e		b	s1	s2	g	w	Bi					
1-3/16	UCSAO306-19		2-3/8	8-1/4	6.141	7.109	2-3/8	0.625	0.984	7/8	4-1/4	1.693	1/2	UC306-19	SAO306	5.65	
1-1/4	UCSAO307-20		2-3/4	10-5/8	7.789	8.743	2-3/4	0.750	1.102	15/16	4-13/16	1.890	5/8	UC307-20	SAO307	7.86	
1-7/16	UCSAO307-23													UC307-23			
1-1/2	UCSAO308-24		3-1/8	11-3/8	8.500	9.532	3-1/8	0.750	1.141	1-3/16	5-45/64	2.047	5/8	UC308-24	SAO308	12.04	
1-11/16	UCSAO309-27													UC309-27			
1-3/4	UCSAO309-28		3-1/8	11-3/8	8.500	9.532	3-1/8	0.750	1.141	1-3/16	5-45/64	2.244	5/8	UC309-28	SAO309	12.06	
1-7/8	UCSAO310-30													UC310-30			
1-15/16	UCSAO310-31		3-1/8	11-3/8	8.500	9.532	3-1/8	0.750	1.141	1-19/64	5-53/64	2.402	5/8	UC310-31	SAO310	15.47	
2	UCSAO311-32													UC311-32			
2-3/16	UCSAO311-35		3-3/4	12-19/32	9.500	11.000	3-1/2	0.875	1.375	1-13/32	6-45/64	2.598	3/4	UC311-35	SAO311	19.16	
2-7/16	UCSAO312-39		4-1/8	13-3/4	10.625	11.875	4	0.875	1.375	1-1/2	7-21/64	2.795	3/4	UC312-39	SAO312	30.41	
2-11/16	UCSAO314-43													UC314-43			
2-3/4	UCSAO314-44		4-9/16	15-23/64	11.500	12.500	4-3/8	0.984	1.375	1-3/4	8-1/4	3.071	7/8	UC314-44	SAO314	35.17	
2-15/16	UCSAO315-47													UC315-47			
3	UCSAO315-48		4-9/16	15-23/64	11.343	13.375	4-3/8	0.984	1.891	1-57/64	8-45/64	3.228	7/8	UC315-48	SAO315	39.86	
3-3/16	UCSAO316-51													UC316-51			
3-7/16	UCSAO318-55		4-9/16	15-23/64	11.343	13.375	4-3/8	0.984	1.891	1-59/64	8-25/32	3.386	7/8	UC318-55	SAO316	40.03	
3-1/2	UCSAO318-56		5-1/8	16-7/64	12.603	14.147	4-3/4	1.142	1.772	2-1/4	9-7/8	3.780	1	UC318-56	SAO318	53.86	
3-15/16	UCSAO320-63													UC320-63			
4	UCSAO320-64		5-11/16	17-21/64	14.018	15.482	5-1/8	1.142	1.732	2-9/16	11-1/16	4.252	1	UC320-64	SAO320	74.70	
Dimensions (mm)																	
30	UCSAO306		60.3	209	156	181	60	16	25	22	108	43	M14	UC306	SAO306	5.67	
35	UCSAO307		69.8	270	198	222	70	19	28	24	122	48	M16	UC307	SAO307	7.88	
40	UCSAO308		79.4	289	216	242	79	19	29	30	145	52	M16	UC308	SAO308	12.07	
45	UCSAO309		79.4	289	216	242	79	19	29	30	145	57	M16	UC309	SAO309	12.09	
50	UCSAO310		79.4	289	216	242	79	19	29	33	148	61	M16	UC310	SAO310	15.51	
55	UCSAO311		95.2	320	241	279	89	22	35	36	170	66	M20	UC311	SAO311	19.22	
60	UCSAO312		104.8	349	270	302	101	22	35	38	186	71	M20	UC312	SAO312	30.48	
70	UCSAO314		115.9	390	292	318	111	25	35	44	210	78	M22	UC314	SAO314	35.27	
75	UCSAO315		115.9	390	288	340	111	25	48	48	221	82	M22	UC315	SAO315	40.04	
80	UCSAO316		115.9	390	288	340	111	25	48	49	223	86	M22	UC316	SAO316	40.23	
90	UCSAO318		130.2	409	320	359	120	29	45	57	251	96	M27	UC318	SAO318	54.08	
100	UCSAO320		144.5	440	356	393	130	29	44	65	281	108	M27	UC320	SAO320	75.00	

Lubrication fitting tap size 1/8-27 NPT

HEAVY DUTY



Tapered Adapter Sleeve
Wide Inner Ring
Cast Iron Housing
Insert detail-pg.126
Inch and Metric

HEAVY DUTY

Shaft Diam (in.)	AMI Unit #	List Price	Dimensions (in.)										Bolt Size (in.)	Bearing #	Housing #	Weight (lb.)	
			h	a	e		b	s1	s2	g	w	L					
					Min.	Max.											
3/4	UKP305+HE2305		1-49/64	6-7/8	4-31/32	5-17/32	1-3/4	21/32	25/32	43/64	3-1/4	1.378	1/2	P305	3.57		
7/8	UKP306+HS2306																
15/16	UKP306+HA2306		1-31/32	7-1/16	5-7/32	5-25/32	2	21/32	25/32	7/8	3-11/16	1.496	1/2	P306	4.24		
1	UKP306+HE2306																
1-1/8	UKP307+HS2307		2-13/64	8-1/4	5-3/4	6-3/4	2-1/4	21/32	1	7/8	4-1/8	1.693	1/2	P307	6.02		
1-3/16	UKP307+HA2307																
1-1/4	UKP308+HE2308																
1-5/16	UKP308+HA2308		2-23/64	8-11/16	6-3/16	7-5/16	2-3/8	21/32	1-1/16	63/64	4-9/16	1.811	1/2	P308	6.69		
1-3/8	UKP308+HS2308																
1-7/16	UKP309+HA2309																
1-1/2	UKP309+HE2309		2-41/64	9-5/8	6-15/16	8-1/16	2-5/8	25/32	1-3/16	1	5-1/32	1.969	5/8	P309	10.30		
1-5/8	UKP309+HS2309																
1-11/16	UKP310+HA2310																
1-3/4	UKP310+HE2310		2-61/64	10-13/16	7-5/8	9-1/8	3-1/16	25/32	1-3/8	1-3/16	5-5/8	2.165	5/8	P310	13.90		
1-7/8	UKP311+HS2311																
1-15/16	UKP311+HA2311		3-5/32	12-3/16	8-3/8	10-1/8	3-1/8	25/32	1-1/2	1-7/32	6-1/16	2.323	5/8	P311	17.70		
2	UKP311+HE2311																
2-1/16	UKP312+HA2312																
2-1/8	UKP312+HS2312		3-11/32	13-5/32	9-1/8	10-5/8	3-3/8	1	1-1/2	1-27/64	6-1/2	2.441	3/4	P312	20.80		
2-3/16	UKP313+HA2313																
2-1/4	UKP313+HE2313	762.00	3-35/64	13-3/8	9-1/2	11	3-1/2	1	1-1/2	1-37/64	6-27/32	2.559	3/4	P313	21.90		
2-3/8	UKP313+HS2313																
2-7/16	UKP315+HA2315																
2-1/2	UKP315+HE2315	1065.00	3-15/16	15-5/64	10-11/16	12-1/16	3-7/8	1-1/16	1-9/16	1-37/64	7-59/64	2.874	7/8	P315	30.60		
2-11/16	UKP316+HA2316																
2-3/4	UKP316+HE2316	1225.00	4-11/64	15-3/4	11-1/16	12-7/16	4-3/8	1-1/16	1-9/16	1-25/32	8-7/32	3.071	7/8	P316	37.10		
2-15/16	UKP317+HA2317																
3	UKP317+HE2317	1480.00	4-13/32	16-9/16	11-27/32	13-13/32	4-3/8	1-5/16	1-25/32	1-45/64	8-11/16	3.228	1	P317	41.50		
3-1/8	UKP318+HS2318																
3-3/16	UKP318+HA2318		4-41/64	16-15/16	12-7/32	13-25/32	4-3/8	1-5/16	1-45/64	1-31/32	9-1/4	3.386	1	P318	47.10		
3-1/4	UKP319+HE2319		4-59/64	18-1/2	13-19/32	14-31/32	4-3/4	1-1/2	1-31/32	2-3/64	10	3.543	1-1/8	P319	59.10		
3-7/16	UKP320+HA2320																
3-1/2	UKP320+HE2320		5-33/64	19-5/16	14-5/32	15-27/32	4-3/4	1-13/32	1-31/32	2-11/64	10-29/32	3.819	1-1/8	P320	76.50		
4	UKP322+HE2322		5-29/32	20-11/16	14-7/8	16-5/8	5-1/2	1-9/16	2-5/32	2-1/4	11-45/64	4.134	1-1/4	P322	95.00		
Dimensions (mm)																	
20	UKP305+H2305		45	175	126	141	45	17	20	17	83	35		UK305+H2305	P305	3.57	
25	UKP306+H2306		50	180	133	147	50	17	20	22	94	38	M14	UK306+H2306	P306	4.24	
30	UKP307+H2307		56	210	146	172	56	17	25	22	105	43		UK307+H2307	P307	6.02	
35	UKP308+H2308		60	220	157	186	60	17	27	25	116	46	M14	UK308+H2308	P308	6.69	
40	UKP309+H2309		67	245	176	205	67	20	30	26	128	50	M16	UK309+H2309	P309	10.3	
45	UKP310+H2310		75	275	194	232	78	20	35	30	143	55	M16	UK310+H2310	P310	13.9	
50	UKP311+H2311		80	310	213	257	80	20	38	31	154	59	M16	UK311+H2311	P311	17.7	
55	UKP312+H2312		85	334	232	270	85	25	38	36	165	62	M20	UK312+H2312	P312	20.8	
60	UKP313+H2313		90	340	241	279	90	25	38	40	174	65	M20	UK313+H2313	P313	21.9	
65	UKP315+H2315		100	383	272	306	100	27	40	40	201	73	M22	UK315+H2315	P315	30.6	
70	UKP316+H2316		106	400	281	316	110	27	40	45	209	78	M22	UK316+H2316	P316	37.1	
75	UKP317+H2317		112	420	301	341	110	33	45	43	221	82	M27	UK317+H2317	P317	41.5	
80	UKP318+H2318		118	430	310	350	110	33	43	50	235	86	M27	UK318+H2318	P318	47.1	
85	UKP319+H2319		125	470	337	380	120	38	50	52	255	90	M30	UK319+H2319	P319	59.1	
90	UKP320+H2320		140	490	360	402	120	36	50	55	277	97	M30	UK320+H2320	P320	76.5	
100	UKP322+H2322		150	525	378	422	140	40	55	57	297	105		UK322+H2322	P322	95.0	
110	UKP324+H2324		160	565	428	472	140	40	55	67	320	112	M33	UK324+H2324	P324	118.2	
115	UKP326+H2326		180	600	458	502	140	40	55	80	355	121		UK326+H2326	P326	161.5	
125	UKP328+H2328		200	615	478	522	140	40	55	80	390	131	M33	UK328+H2328	P328	199.4	

Lubrication fitting tap size 1/8-27 NPT

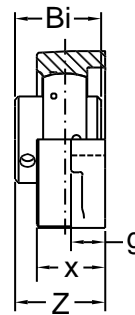
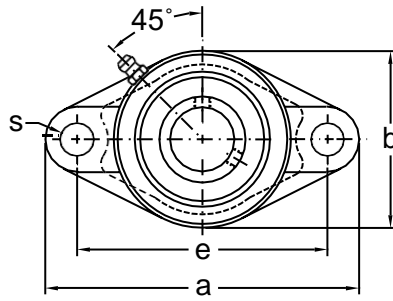
INTERCHANGES: UKP3



TWO-BOLT FLANGE UNITS

UCFL 300

Set-Screw Locking
Wide Inner Ring
Cast Iron Housing
Insert detail-pg.124
Inch and Metric

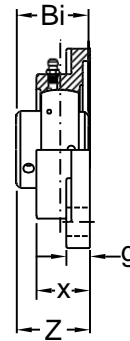
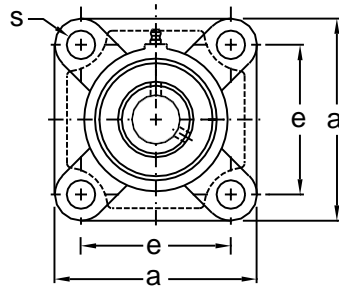


Shaft Diam. (in.)	AMI Unit #	List Price	Dimensions (in.)								Bolt Size (in.)	Bearing #	Housing #	Weight (lb.)
			a	e	g	x	s	b	Z	Bi				
1	UCFL305-16		5-7/8	4-29/64	1/2	1-5/32	3/4	3-5/32	1.535	1.496	5/8	UC305-16	FL305	2.45
1-3/16	UCFL306-19		7-1/8	5-9/32	19/32	1-1/4	29/32	3-35/64	1.732	1.693	3/4	UC306-19	FL306	3.35
1-1/4	UCFL307-20		7-5/16	5-35/64	5/8	1-13/32	29/32	3-15/16	1.929	1.890	3/4	UC307-20	FL307	4.01
1-7/16	UCFL307-23											UC307-23		
1-1/2	UCFL308-24		7-7/8	6-7/32	21/32	1-9/16	29/32	4-13/32	2.205	2.047	3/4	UC308-24	FL308	5.35
1-11/16	UCFL309-27											UC309-27		
1-3/4	UCFL309-28		9-1/16	6-31/32	23/32	1-23/32	63/64	4-59/64	2.362	2.244	7/8	UC309-28	FL309	7.58
1-7/8	UCFL310-30											UC310-30		
1-15/16	UCFL310-31		9-1/2	7-23/64	3/4	1-7/8	63/64	5-33/64	2.638	2.402	7/8	UC310-31	FL310	9.59
2	UCFL311-32											UC311-32		
2-3/16	UCFL311-35		9-13/16	7-51/64	25/32	2-1/16	63/64	5-29/32	2.795	2.598	7/8	UC311-35	FL311	11.40
2-7/16	UCFL312-39		10-5/8	8-11/32	7/8	2-7/32	1-7/32	6-1/4	3.071	2.795	1	UC312-39	FL312	13.80
2-1/2	UCFL313-40		11-5/8	9-29/64	1	2-9/32	1-7/32	6-7/8	3.071	2.953	1	UC313-40	FL313	16.50
2-11/16	UCFL314-43											UC314-43		
2-3/4	UCFL314-44		12-3/8	9-27/32	1-1/8	2-13/32	1-3/8	7-15/16	3.189	3.071	1-1/8	UC314-44	FL314	20.30
2-15/16	UCFL315-47											UC315-47		
3	UCFL315-48		12-5/8	10-1/4	1-3/16	2-19/32	1-3/8	7-11/16	3.504	3.228	1-1/8	UC315-48	FL315	22.30
3-3/16	UCFL316-51		14	11-3/16	1-1/4	2-11/16	1-1/2	8-1/4	3.543	3.386	1-1/4	UC316-51	FL316	28.10
3-7/16	UCFL318-55											UC318-55		
3-1/2	UCFL318-56		15-3/16	12-25/64	1-7/16	3	1-1/2	9-1/4	3.937	3.780	1-1/4	UC318-56	FL318	38.10
3-15/16	UCFL320-63											UC320-63		
4	UCFL320-64		17-3/8	14-3/16	1-9/16	3-11/16	1-47/64	10-5/8	4.921	4.252	1-1/2	UC320-64	FL320	59.10
4-7/16	UCFL322-71		18-1/2	15-23/64	1-21/32	3-25/32	1-47/64	11-13/16	5.157	4.606	1-1/2	UC322-71	FL322	73.8
Dimensions (mm)														
25	UCFL305		150	113	13	29	19	80	39	38	M16	UC305	FL305	2.45
30	UCFL306		180	134	15	32	23	90	44	43	M20	UC306	FL306	3.35
35	UCFL307		185	141	16	36	23	100	49	48	M20	UC307	FL307	4.01
40	UCFL308		200	158	17	40	23	112	56	52	M20	UC308	FL308	5.35
45	UCFL309		230	177	18	44	25	125	60	57	M22	UC309	FL309	7.58
50	UCFL310		240	187	19	48	25	140	67	61	M22	UC310	FL310	9.59
55	UCFL311		250	198	20	52	25	150	71	66	M22	UC311	FL311	11.4
60	UCFL312		270	212	22	56	31	160	78	71	M27	UC312	FL312	13.8
65	UCFL313		295	240	25	58	31	175	78	75	M27	UC313	FL313	16.5
70	UCFL314		315	250	28	61	35	185	81	78	M30	UC314	FL314	20.3
75	UCFL315		320	260	30	66	35	195	89	82	M30	UC315	FL315	22.3
80	UCFL316		355	285	32	68	38	210	90	86	M33	UC316	FL316	28.1
85	UCFL317		370	300	32	74	38	220	100	96	M33	UC317	FL317	32.3
90	UCFL318		385	315	36	76	38	235	100	96	M33	UC318	FL318	38.1
95	UCFL319		405	330	40	94	41	250	121	103	M36	UC319	FL319	48.6
100	UCFL320		440	360	40	94	44	270	125	108		UC320	FL320	59.1
105	UCFL321		440	360	40	94	44	270	127	112	M39	UC321	FL321	62.9
110	UCFL322		470	390	42	96	44	300	131	117		UC322	FL322	73.8
120	UCFL324		520	430	48	110	47	330	140	126	M42	UC324	FL324	101.9
130	UCFL326		550	460	50	115	47	360	146	135	M42	UC326	FL326	128.3
140	UCFL328		600	500	60	125	51	400	161	145	M45	UC328	FL328	177.8

Lubrication fitting tap size 1/8-27 NPT

INTERCHANGES: UCFL3

HEAVY DUTY



Set-Screw Locking
Wide Inner Ring
Cast Iron Housing
Insert detail-pg.124
Inch and Metric

HEAVY DUTY

Shaft Diam. (in.)	AMI Unit #	List Price	Dimensions (in.)							Z	Bi	Bolt Size (in.)	Bearing #	Housing #	Weight (lb.)
			a	e	g	x	s								
1	UCF305-16		4-5/16	3-5/32	1/2	1-5/32	5/8	1.535	1.496	1/2	UC305-16	F305	2.64		
1-3/16	UCF306-19		4-15/16	3-47/64	19/32	1-1/4	5/8	1.732	1.693	1/2	UC306-19	F306	3.75		
1-1/4	UCF307-20		5-5/16	3-15/16	5/8	1-13/32	3/4	1.929	1.890	5/8	UC307-20	F307	4.63		
1-7/16	UCF307-23										UC307-23				
1-1/2	UCF308-24		5-7/8	4-13/32	21/32	1-9/16	3/4	2.205	2.047	5/8	UC308-24	F308	6.39		
1-11/16	UCF309-27		6-5/16	4-59/64	23/32	1-23/32	3/4	2.362	2.244	5/8	UC309-27	F309	7.93		
1-3/4	UCF309-28										UC309-28				
1-7/8	UCF310-30		6-7/8	5-13/64	3/4	1-7/8	29/32	2.638	2.402	3/4	UC310-30	F310	10.36		
1-15/16	UCF310-31										UC310-31				
2	UCF311-32		7-5/16	5-33/64	25/32	2-1/16	29/32	2.795	2.598	3/4	UC311-32	F311	12.56		
2-3/16	UCF311-35										UC311-35				
2-7/16	UCF312-39		7-11/16	5-29/32	7/8	2-7/32	29/32	3.071	2.795	3/4	UC312-39	F312	14.99		
2-1/2	UCF313-40		8-3/16	6-17/32	7/8	2-9/32	29/32	3.071	2.953	3/4	UC313-40	F313	17.19		
2-11/16	UCF314-43		8-7/8	7-1/64	1	2-13/32	63/64	3.189	3.071	7/8	UC314-43	F314	21.16		
2-3/4	UCF314-44										UC314-44				
2-15/16	UCF315-47		9-5/16	7-1/4	1	2-19/32	63/64	3.504	3.228	7/8	UC315-47	F315	25.79		
3	UCF315-48										UC315-48				
3-3/16	UCF316-51		9-13/16	7-23/32	1-1/16	2-11/16	1-7/32	3.543	3.386	1	UC316-51	F316	30.19		
3-1/4	UCF317-52		10-1/4	8-1/32	1-1/16	2-29/32	1-7/32	3.937	3.780	1	UC317-52	F317	33.50		
3-7/16	UCF318-55		11	8-1/2	1-3/16	3	1-3/8	3.937	3.780	1-1/8	UC318-55	F318	41.44		
3-1/2	UCF318-56										UC318-56				
3-3/4	UCF319-60		11-13/32	8-31/32	1-3/16	3-11/16	1-3/8	4.764	4.055	1-1/8	UC319-60	F319	45.62		
3-15/16	UCF320-63		12-3/16	9-17/32	1-1/4	3-11/16	1-1/2	4.921	4.252	1-1/4	UC320-63	F320	54.66		
4	UCF320-64										UC320-64				
4-7/16	UCF322-71		13-3/8	10-1/2	1-3/8	3-25/32	1-5/8	5.157	4.606	1-3/8	UC322-71	F322	77.4		
Dimensions (mm)															
25	UCF305		110	80	13	29	16	39	38	M14	UC305	F305	2.68		
30	UCF306		125	95	15	32	16	44	43	M14	UC306	F306	3.79		
35	UCF307		135	100	16	36	19	49	48	M16	UC307	F307	4.68		
40	UCF308		150	112	17	40	19	56	52	M16	UC308	F308	6.47		
45	UCF309		160	125	18	44	19	60	57	M16	UC309	F309	8.03		
50	UCF310		175	132	19	48	23	67	61	M20	UC310	F310	10.5		
55	UCF311		185	140	20	52	23	71	66		UC311	F311	12.7		
60	UCF312		195	150	22	56	23	78	71	M20	UC312	F312	15.2		
65	UCF313		208	166	22	58	23	78	75		UC313	F313	17.4		
70	UCF314		226	178	25	61	25	81	78	M22	UC314	F314	21.4		
75	UCF315		236	184	25	66	25	89	82	M22	UC315	F315	26.1		
80	UCF316		250	196	27	68	31	90	86	M27	UC316	F316	30.6		
85	UCF317		260	204	27	74	31	100	96	M27	UC317	F317	33.9		
90	UCF318		280	216	30	76	35	100	96	M30	UC318	F318	41.9		
95	UCF319		290	228	30	94	35	121	103	M30	UC319	F319	46.2		
100	UCF320		310	242	32	94	38	125	108		UC320	F320	55.3		
105	UCF321		310	242	32	94	38	127	112	M36	UC321	F321	57.1		
110	UCF322		340	266	35	96	41	131	117		UC322	F322	77.4		
120	UCF324		370	290	40	110	41	140	126		UC324	F324	105.3		
130	UCF326		410	320	45	115	41	146	135	M36	UC326	F326	139.8		
140	UCF328		450	350	55	125	41	161	145		UC328	F328	194.0		

Lubrication fitting tap size 1/8-27 NPT

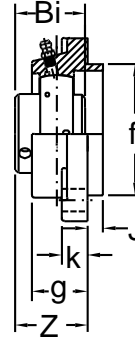
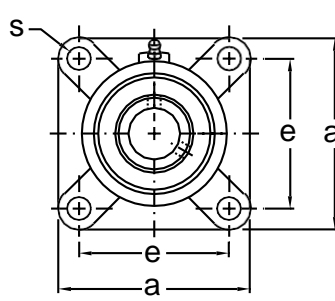
INTERCHANGES: UCF3



PILOTED FOUR-BOLT FLANGE UNITS

UCFS 300

Set-Screw Locking
Wide Inner Ring
Cast Iron Housing
Insert detail-pg.124
Metric

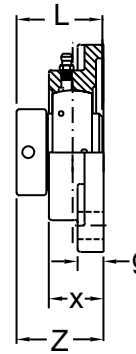
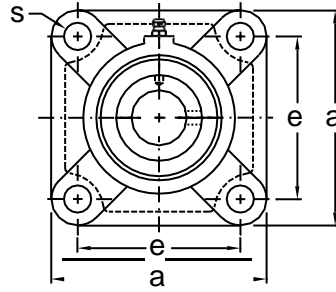


Shaft mm	AMI Unit #	List Price	Dimensions (mm)									Bolt mm	Bearina #	Housing #	Weight (lb.)
			a	e	s	J	k	g	f	Z	Bi				
25	UCFS305		110	80	16	7	13	22	80	32	38	M14	UC305	FS305	3.12
30	UCFS306		125	95	16	8	15	24	90	36	43	M14	UC306	FS306	4.24
35	UCFS307		135	100	19	9	16	27	100	40	48	M16	UC307	FS307	5.35
40	UCFS308		150	112	19	10	17	30	115	46	52	M16	UC308	FS308	7.36
45	UCFS309		160	125	19	11	18	33	125	49	57	M16	UC309	FS309	8.92
50	UCFS310		175	132	23	12	19	36	140	55	61	M20	UC310	FS310	11.8
55	UCFS311		185	140	23	13	20	39	150	58	66		UC311	FS311	13.8
60	UCFS312		195	150	23	14	22	42	160	64	71	M20	UC312	FS312	16.5
65	UCFS313		208	166	23	18	22	40	175	60	75		UC313	FS313	19.2
70	UCFS314		226	178	25	18	25	43	185	63	78	M22	UC314	FS314	25.0
75	UCFS315		236	184	25	18	25	48	200	71	82	M22	UC315	FS315	28.3
80	UCFS316		250	196	31	20	27	48	210	70	86	M27	UC316	FS316	31.9
85	UCFS317		260	204	31	20	27	54	220	80	96	M27	UC317	FS317	38.4
90	UCFS318		280	216	35	20	30	56	240	80	96	M30	UC318	FS318	45.5
95	UCFS319		290	228	35	20	30	74	250	101	103	M30	UC319	FS319	53.3
100	UCFS320		310	242	38	20	32	74	260	105	108	M33	UC320	FS320	60.4
105	UCFS321		310	242	38	20	32	74	260	107	112	M33	UC321	FS321	63.6
110	UCFS322		340	266	41	25	35	71	300	106	117	M36	UC322	FS322	82.1
120	UCFS324		370	290	41	30	40	80	330	110	126		UC324	FS324	112.8
130	UCFS326		410	320	41	30	45	85	360	116	135	M36	UC326	FS326	151.2
140	UCFS328		450	350	41	30	55	95	400	131	145		UC328	FS328	214.8

Lubrication fitting tap size 1/8-27 NPT

INTERCHANGES: UCFS

HEAVY DUTY



Eccentric Locking
Wide Inner Ring
Cast Iron Housing
Insert detail-pg.125
Inch and Metric

HEAVY DUTY

Shaft Diam (in.)	AMI Unit #	List Price	Dimensions (in.)							Bolt Size (in.)	Bearing #	Housing #	Weight (lb.)
			a	e	g	x	s	Z	L				
1-7/16	UGF307-23		5-5/16	3-15/16	5/8	1-13/32	3/4	2.098	2.031	5/8	UG307-23	F307	4.81
1-1/2	UGF308-24		5-7/8	4-13/32	21/32	1-9/16	3/4	2.374	2.248	5/8	UG308-24	F308	6.75
1-11/16	UGF309-27		6-5/16	4-59/64	23/32	1-23/32	3/4	2.515	2.311	5/8	UG309-27	F309	8.37
1-15/16	UGF310-31		6-7/8	5-13/64	3/4	1-7/8	29/32	2.755	2.622	3/4	UG310-31	F310	11.00
2-3/16	UGF311-35		7-5/16	5-33/64	25/32	2-1/16	29/32	2.961	2.874	3/4	UG311-35	F311	13.12
2-7/16	UGF312-39		7-11/16	5-29/32	7/8	2-7/32	29/32	3.205	3.126	3/4	UG312-39	F312	15.47
2-11/16	UGF314-43		8-7/8	7-1/64	1	2-13/32	63/64	3.701	3.626	7/8	UG314-43	F314	22.50
2-15/16	UGF315-47		9-5/16	7-1/4	1	2-19/32	63/64	4.003	3.937	7/8	UG315-47	F315	27.99
3	UGF315-48										UG315-48	F315	
Dimensions (mm)													
45	UGF309		160	125	18	44	19	60	58.7	M16	UG309	F309	8.37
50	UGF310		175	132	19	48	23	67	66.6	M20	UG310	F310	11.00
55	UGF311		185	140	20	52	23	71	73.0	M20	UG311	F311	13.12
60	UGF312		195	150	22	56	23	78	79.4	M20	UG312	F312	15.47
70	UGF314		226	178	25	61	25	81	92.1	M22	UG314	F314	22.50
75	UGF315		236	184	25	66	25	89	100.0	M22	UG315	F315	27.99
90	UGF318		280	216	30	76	35	100	115.9	M30	UG318	F318	45.30

Lubrication fitting tap size 1/8-27 NPT

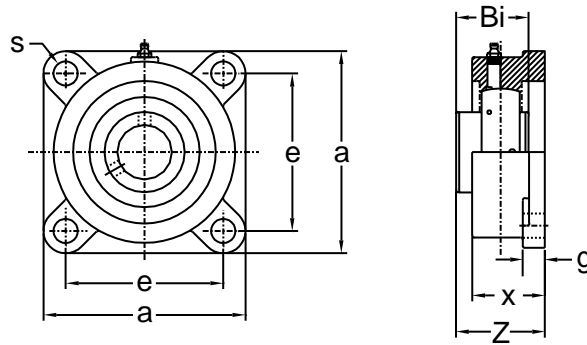
INTERCHANGES: UELF3



FOUR-BOLT FLANGE UNITS

UCF-U 300

**Set-Screw Locking
Wide Inner Ring
Cast Iron Housing
Insert detail-pg.124
Inch and Metric**

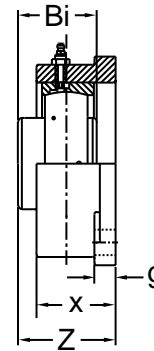
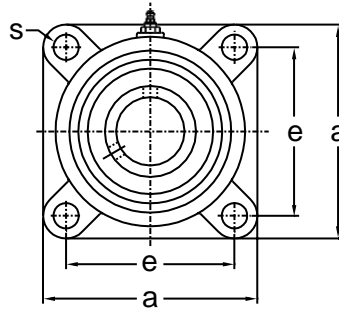


Shaft Diam (in.)	AMI Unit #	List Price	Dimensions (in.)							Bolt Size (in.)	Bearing #	Housing #	Weight (lb.)
			a	e	g	x	s	Z	Bi				
1	UCFU305-16		4-5/8	3-1/2	9/16	1-1/2	9/16	1.721	1.496	1/2	UC305-16	F-U305	4.0
1-3/16	UCFU306-19		4-15/16	3-13/16	5/8	1-21/32	9/16	2.048	1.693	1/2	UC306-19	F-U306	5.0
1-1/4	UCFU307-20		5-1/8	4	5/8	1-13/16	9/16	2.252	1.890	1/2	UC307-20	F-U307	6.2
1-7/16	UCFU307-23										UC307-23		6.0
1-1/2	UCFU308-24		6	4-5/8	5/8	1-31/32	3/4	2.468	2.047	5/8	UC308-24	F-U308	8.4
1-11/16	UCFU309-27		6-1/4	4-7/8	11/16	2-13/64	3/4	2.748	2.244	5/8	UC309-27	F-U309	10.6
1-3/4	UCFU309-28										UC309-28		10.8
1-7/8	UCFU310-30		6-1/2	5-1/8	11/16	2-13/32	3/4	2.968	2.402	5/8	UC310-30	F-U310	12.4
1-15/16	UCFU310-31										UC310-31		12.2
2	UCFU311-32		7-5/16	5-3/4	3/4	2-9/16	29/32	3.220	2.598	3/4	UC311-32	F-U311	16.8
2-3/16	UCFU311-35										UC311-35		16.2
2-7/16	UCFU312-39		7-5/8	6	3/4	2-13/16	29/32	3.469	2.795	3/4	UC312-39	F-U312	18.2
2-15/16	UCFU315-47		9-1/16	7-1/4	7/8	3-7/16	1-1/16	4.312	3.228	7/8	UC315-47	F-U315	32.6
3	UCFU315-48										UC315-48		32.2
Dimensions (mm)													
25	UCFU305		117.5	88.9	14	38	14	43.7	38	M12	UC305	F-U305	3.8
30	UCFU306		125.5	96.8	16	42	14	52.0	43		UC306	F-U306	5.0
35	UCFU307		130	101.6	16	46	14	57.2	48		UC307	F-U307	6.0
40	UCFU308		152.5	117.4	16	50	19	62.7	52	M16	UC308	F-U308	8.4
45	UCFU309		159	123.8	17.5	56	19	69.8	57		UC309	F-U309	10.6
50	UCFU310		165	130.2	17.5	61	19	75.4	61		UC310	F-U310	12.0
55	UCFU311		185.5	146.1	19	65	23	81.8	66	M20	UC311	F-U311	16.2
60	UCFU312		193.5	152.4	19	71.5	23	88.1	71	M20	UC312	F-U312	18.4
75	UCFU315		230	184.1	22	87.5	27	109.5	82	M24	UC315	F-U315	32.4

Lubrication fitting tap size 1/8-27 NPT

INTERCHANGES: F-U3

HEAVY DUTY



Set-Screw Locking
Wide Inner Ring
Cast Iron Housing
Expansion Type
Insert detail-pg.124
Inch and Metric

HEAVY DUTY

Shaft Diam (in.)	AMI Unit #	List Price	Dimensions (in.)								Bolt Size (in.)	Bearing #	Housing #	Weight (lb.)
			a	e	g	x	s	Z	Bi					
1-1/4	UCFEU307-20		5-1/8	4	5/8	1-13/16	9/16	2.252	1.890	1/2	UC307-20	FE-U307	6.2	
1-7/16	UCFEU307-23										UC307-23		6.0	
1-11/16	UCFEU309-27		6-1/4	4-7/8	11/16	2-13/64	3/4	2.748	2.244	5/8	UC309-27	FE-U309	10.6	
1-3/4	UCFEU309-28										UC309-28		10.8	
1-7/8	UCFEU310-30		6-1/2	5-1/8	11/16	2-13/32	3/4	2.968	2.402	5/8	UC310-30	FE-U310	13.2	
1-15/16	UCFEU310-31										UC310-31		13.0	
2	UCFEU311-32		7-5/16	5-3/4	3/4	2-9/16	29/32	3.220	2.598	3/4	UC311-32	FE-U311	17.4	
2-3/16	UCFEU311-35										UC311-35		16.8	
2-7/16	UCFEU312-39		7-5/8	6	3/4	2-13/16	29/32	3.469	2.795	3/4	UC312-39	FE-U312	18.6	
2-11/16	UCFEU314-43										UC314-43		31.6	
2-3/4	UCFEU314-44		8-7/8	7	7/8	3-7/16	1-1/16	4.115	3.071	7/8	UC314-44	FE-U314	31.4	
2-15/16	UCFEU315-47										UC315-47		32.2	
3	UCFEU315-48		9-1/16	7-1/4	7/8	3-7/16	1-1/16	4.312	3.228	7/8	UC315-48	FE-U315	31.8	
Dimensions (mm)														
35	UCFEU307		130	101.6	16	46	14	57.2	48	M12	UC307	FE-U307	6.0	
45	UCFEU309		159	123.8	17.5	56	19	69.8	57	M16	UC309	FE-U309	10.6	
50	UCFEU310		165	130.2	17.5	61	19	75.4	61	M16	UC310	FE-U310	12.8	
55	UCFEU311		185.5	146.1	19	65	23	81.8	66	M20	UC311	FE-U311	16.8	
60	UCFEU312		193.5	152.4	19	71.5	23	88.1	71	M20	UC312	FE-U312	18.8	
70	UCFEU314		225.5	177.8	22	87.5	27	104.5	78	M24	UC314	FE-U314	31.4	
75	UCFEU315		230	184.1	22	87.5	27	109.5	82	M24	UC315	FE-U315	32.0	

Lubrication fitting tap size 1/8-27 NPT

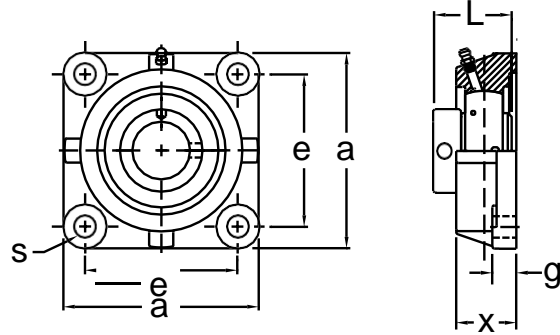
INTERCHANGES: FE-U3



FOUR-BOLT FLANGE UNITS

UGCJO 300

Eccentric Locking
Wide Inner Ring
Cast Iron Housing
Insert detail-pg.125
Inch and Metric

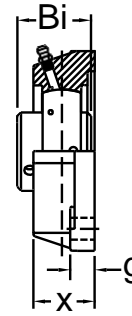
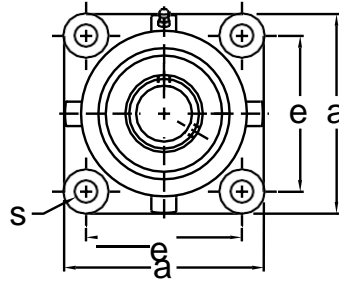


HEAVY DUTY

Shaft Diam. (in.)	AMI Unit #	List Price	Dimensions (in.)						Bolt Size (in.)	Bearing #	Housing #	Weight (lb.)
			a	e	g	x	s	L				
1-7/16	UGCJO307-23		5-1/8	4	5/8	1-37/64	9/16	2.031	1/2	UG307-23	CJO307	5.32
1-1/2	UGCJO308-24		5-23/64	4-1/8	5/8	1-47/64	5/8	2.248	9/16	UG308-24	CJO308	6.46
1-11/16	UGCJO309-27		5-5/8	4-3/8	43/64	1-55/64	5/8	2.311	9/16	UG309-27	CJO309	7.76
1-15/16	UGCJO310-31		6-1/2	5-1/8	43/64	2-3/32	11/16	2.622	5/8	UG310-31	CJO310	11.04
2-3/16	UGCJO311-35		7	5-5/8	43/64	2-19/64	11/16	2.874	5/8	UG311-35	CJO311	13.98
2-7/16	UGCJO312-39		7-1/2	5-7/8	3/4	2-9/16	13/16	3.126	3/4	UG312-39	CJO312	15.97
2-11/16	UGCJO314-43		8-55/64	7	51/64	2-27/32	15/16	3.626	7/8	UG314-43	CJO314	26.28
2-15/16	UGCJO315-47		9-1/4	7-1/4	7/8	3-5/64	15/16	3.937	7/8	UG315-47	CJO315	31.82
3	UGCJO315-48	UG315-48										
Dimensions (mm)												
45	UGCJO309		143	111.1	17	47	16.0	58.7	M14	UG309	CJO309	7.76
50	UGCJO310		165	130.2	17	53	17.5	66.6	M16	UG310	CJO310	11.04
55	UGCJO311		178	142.9	17	58	17.5	73.0	M16	UG311	CJO311	13.98
60	UGCJO312		190	149.2	19	65	20.5	79.4	M20	UG312	CJO312	15.97
70	UGCJO314		225	177.8	20	72	24.0	92.1	M22	UG314	CJO314	26.28
75	UGCJO315		235	184.2	22	78	24.0	100.0	M22	UG315	CJO315	31.82
90	UGCJO318		281	215.9	28	84	27.0	115.9	M24	UG318	CJO318	49.74

Lubrication fitting tap size 1/8-27 NPT

INTERCHANGES: RCJO



Set-Screw Locking
Wide Inner Ring
Cast Iron Housing
Insert detail-pg.124
Inch and Metric

HEAVY DUTY

Shaft Diam. (in.)	AMI Unit #	List Price	Dimensions (in.)					Bi	Bolt Size (in.)	Bearing #	Housing #	Weight (lb.)
			a	e	g	x	s					
1-3/16	UCCJO306-19		4-23/32	3-5/8	9/16	1-1/2	9/16	1.693	1/2	UC306-19	CJO306	4.37
1-1/4	UCCJO307-20		5-1/8	4	5/8	1-37/64	9/16	1.890	1/2	UC307-20	CJO307	5.14
1-7/16	UCCJO307-23									UC307-23		
1-1/2	UCCJO308-24		5-23/64	4-1/8	5/8	1-47/64	5/8	2.047	9/16	UC308-24	CJO308	6.10
1-11/16	UCCJO309-27		5-5/8	4-3/8	43/64	1-55/64	5/8	2.244	9/16	UC309-27	CJO309	7.32
1-3/4	UCCJO309-28									UC309-28		
1-7/8	UCCJO310-30		6-1/2	5-1/8	43/64	2-3/32	11/16	2.402	5/8	UC310-30	CJO310	10.40
1-15/16	UCCJO310-31									UC310-31		
2	UCCJO311-32		7	5-5/8	43/64	2-19/64	11/16	2.598	5/8	UC311-32	CJO311	13.42
2-3/16	UCCJO311-35									UC311-35		
2-7/16	UCCJO312-39		7-1/2	5-7/8	3/4	2-9/16	13/16	2.795	3/4	UC312-39	CJO312	15.49
2-11/16	UCCJO314-43		8-55/64	7	51/64	2-27/32	15/16	3.071	7/8	UC314-43	CJO314	24.94
2-3/4	UCCJO314-44									UC314-44		
2-15/16	UCCJO315-47		9-1/4	7-1/4	7/8	3-5/64	15/16	3.228	7/8	UC315-47	CJO315	29.62
3	UCCJO315-48									UC315-48		
3-7/16	UCCJO318-55		11-1/16	8-1/2	1-7/64	3-5/16	1-1/16	3.780	1	UC318-55	CJO318	46.12
3-1/2	UCCJO318-56									UC318-56		
3-15/16	UCCJO320-63		12-7/16	9-17/32	1-19/64	3-13/16	1-3/16	4.252	1-1/8	UC320-63	CJO320	64.82
4	UCCJO320-64									UC320-64		
Dimensions (mm)												
30	UCCJO306		120	92.1	14	38	14.5	43	M12	UC306	CJO306	4.39
35	UCCJO307		130	101.6	16	40	14.5	48	M12	UC307	CJO307	5.16
40	UCCJO308		136	104.8	16	44	16.0	52	M14	UC308	CJO308	6.13
45	UCCJO309		143	111.1	17	47	16.0	57	M14	UC309	CJO309	7.35
50	UCCJO310		165	130.2	17	53	17.5	61	M16	UC310	CJO310	10.44
55	UCCJO311		178	142.9	17	58	17.5	66	M16	UC311	CJO311	13.48
60	UCCJO312		190	149.2	19	65	20.5	71	M20	UC312	CJO312	15.56
70	UCCJO314		225	177.8	20	72	24.0	78	M22	UC314	CJO314	25.04
75	UCCJO315		235	184.2	22	78	24.0	82	M22	UC315	CJO315	29.80
90	UCCJO318		281	215.9	28	84	27.0	96	M24	UC318	CJO318	46.34
100	UCCJO320		316	242.0	33	97	30.0	108	M27	UC320	CJO320	65.12

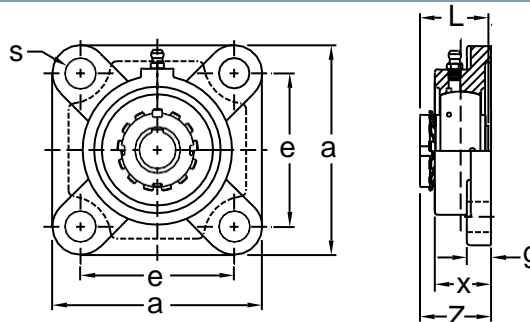
Lubrication fitting tap size 1/8-27 NPT



FOUR-BOLT FLANGE UNITS

UKF 300+H

Tapered Adapter Sleeve
Wide Inner Ring
Cast Iron Housing
Insert detail-pg.126
Inch and Metric



HEAVY DUTY

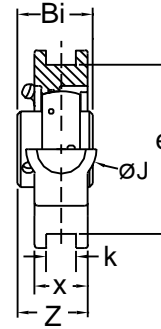
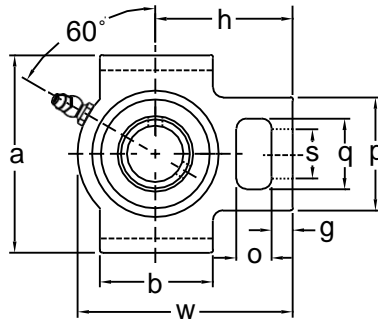
Shaft Diam. (in.)	AMI Unit #	List Price	Dimensions (in.)							Bolt Size (in.)	Bearing #	Housing #	Weight (lb.)
			a	e	g	x	s	Z	L				
3/4	UKF305+HE2305		4-5/16	3-5/32	1/2	1-5/32	5/8	1.457	1.379	1/2	UK305+HE2305	F305	2.68
7/8	UKF306+HS2306										UK306+HS2306		
15/16	UKF306+HA2306		4-15/16	3-47/64	19/32	1-1/4	5/8	1.595	1.496	1/2	UK306+HA2306	F306	3.79
1	UKF306+HE2306										UK306+HE2306		
1-1/8	UKF307+HS2307										UK307+HS2307		
1-3/16	UKF307+HA2307		5-5/16	3-15/16	5/8	1-13/32	3/4	1.752	1.693	5/8	UK307+HA2307	F307	4.68
1-1/4	UKF308+HE2308										UK308+HE2308		
1-5/16	UKF308+HA2308		5-7/8	4-13/32	21/32	1-9/16	3/4	1.969	1.811	5/8	UK308+HA2308	F308	6.69
1-3/8	UKF308+HS2308										UK308+HS2308		
1-7/16	UKF309+HA2309										UK309+HA2309		
1-1/2	UKF309+HE2309		6-5/16	4-59/64	23/32	1-23/32	3/4	2.146	1.969	5/8	UK309+HE2309	F309	8.03
1-5/8	UKF309+HS2309										UK309+HS2309		
1-11/16	UKF310+HA2310										UK310+HA2310		
1-3/4	UKF310+HE2310		6-7/8	5-13/64	3/4	1-7/8	29/32	2.362	2.165	3/4	UK310+HE2310	F310	10.70
1-7/8	UKF311+HS2311										UK311+HS2311		
1-15/16	UKF311+HA2311		7-5/16	5-33/64	25/32	2-1/16	29/32	2.503	2.323	3/4	UK311+HA2311	F311	12.70
2	UKF311+HE2311										UK311+HE2311		
2-1/16	UKF312+HA2312										UK312+HA2312		
2-1/8	UKF312+HS2312		7-11/16	5-29/32	7/8	2-7/32	29/32	2.717	2.441	3/4	UK312+HS2312	F312	15.00
2-3/16	UKF313+HA2313										UK313+HA2313		
2-1/4	UKF313+HE2313		8-3/16	6-17/32	7/8	2-9/32	29/32	2.795	2.559	3/4	UK313+HE2313	F313	17.20
2-3/8	UKF313+HS2313										UK313+HS2313		
2-7/16	UKF315+HA2315										UK315+HA2315		
2-1/2	UKF315+HE2315		9-5/16	7-1/4	1	2-19/32	63/64	3.189	2.874	7/8	UK315+HE2315	F315	26.30
2-11/16	UKF316+HA2316										UK316+HA2316		
2-3/4	UKF316+HE2316		9-13/16	7-23/32	1-1/16	2-11/16	1-7/32	3.287	3.071	1	UK316+HE2316	F316	31.00
2-15/16	UKF317+HA2317										UK317+HA2317		
3	UKF317+HE2317		10-1/4	8-1/32	1-1/16	2-29/32	1-7/32	3.662	3.228	1	UK317+HE2317	F317	33.70
3-1/8	UKF318+HS2318										UK318+HS2318		
3-3/16	UKF318+HA2318		11	8-1/2	1-3/16	3	1-3/8	3.681	3.386	1-1/8	UK318+HA2318	F318	42.40
3-1/4	UKF319+HE2319		11-13/32	9	1-3/16	3-11/16	1-3/8	4.370	3.543	1-1/8	UK319+HE2319	F319	46.40
3-7/16	UKF320+HA2320										UK320+HA2320		
3-1/2	UKF320+HE2320		12-3/16	9-17/32	1-1/4	3-11/16	1-1/2	4.528	3.819	1-1/4	UK320+HE2320	F320	55.30
4	UKF322+HE2322		13-3/8	10-1/2	1-3/8	3-25/32	1-5/8	4.764	4.134	1-3/8	UK322+HE2322	F322	77.60
Dimensions (mm)													
20	UKF305+H2305		110	80	13	29	16	37	35	M14	UK305+H2305	F305	2.68
25	UKF306+H2306		125	95	15	32	16	40.5	38	M14	UK306+H2306	F306	3.79
30	UKF307+H2307		135	100	16	36	19	44.5	43	M16	UK307+H2307	F307	4.68
35	UKF308+H2308		150	112	17	40	19	50	46	M16	UK308+H2308	F308	6.69
40	UKF309+H2309		160	125	18	44	19	54.5	50	M16	UK309+H2309	F309	8.03
45	UKF310+H2310		175	132	19	48	23	60	55	M20	UK310+H2310	F310	10.7
50	UKF311+H2311		185	140	20	52	23	63.5	59		UK311+H2311	F311	12.7
55	UKF312+H2312		195	150	22	56	23	69	62	M20	UK312+H2312	F312	15.0
60	UKF313+H2313		208	166	22	58	23	71	65		UK313+H2313	F313	17.2
65	UKF315+H2315		236	184	25	66	25	81	73	M22	UK315+H2315	F315	26.3
70	UKF316+H2316		250	196	27	68	31	83.5	78	M27	UK316+H2316	F316	31.0
75	UKF317+H2317		260	204	27	74	31	92	82	M27	UK317+H2317	F317	33.7
80	UKF318+H2318		280	216	30	76	35	93.5	86	M33	UK318+H2318	F318	42.4
85	UKF319+H2319		290	228	30	94	35	111	90	M33	UK319+H2319	F319	46.4
90	UKF320+H2320		310	242	32	94	38	115	97	M36	UK320+H2320	F320	55.3
100	UKF322+H2322		340	266	35	96	41	121	105		UK322+H2322	F322	77.6
110	UKF324+H2324		370	290	40	110	41	130	112	M36	UK324+H2324	F324	104.2
115	UKF326+H2326		410	320	45	115	41	134	121		UK326+H2326	F326	140.5
125	UKF328+H2328		450	350	55	125	41	148	131	M36	UK328+H2328	F328	195.0

Lubrication fitting tap size 1/8-27 NPT

INTERCHANGES: UKF3

Ph: 800-882-8642 • Fax: 847-759-0630

AMI Bearings, Inc. 105



Set-Screw Locking
Wide Inner Ring
Cast Iron Housing
Insert detail-pg.124
Metric-Call for Inch Sizes

HEAVY DUTY

Shaft (mm)	AMI Unit #	List Price	Dimensions (mm)														Bearing #	Housing #	Weight (lb.)	
			o	g	p	q	s	b	k	e	a	w	J	x	h	Bi				Z
25	UCT305		16	12	65	36	26	65	12	80	89	122	36	26	76	38	36.0	UC305	T305	2.23
30	UCT306		18	14	70	41	28	74	16	90	100	137	41	28	85	43	40.0	UC306	T306	4.01
35	UCT307		20	15	75	45	30	80	16	100	111	150	45	32	94	48	45.0	UC307	T307	5.35
40	UCT308		22	17	83	50	32	89	18	112	124	162	50	34	100	52	50.0	UC308	T308	6.69
45	UCT309		24	18	90	55	34	97	18	125	138	178	55	38	110	57	54.0	UC309	T309	9.14
50	UCT310		27	20	98	61	37	106	20	140	151	191	61	40	117	61	59.0	UC310	T310	11.6
55	UCT311		29	21	105	66	39	115	22	150	163	207	66	44	127	66	63.0	UC311	T311	14.27
60	UCT312		31	23	113	71	41	123	22	160	178	220	71	46	135	71	68.0	UC312	T312	17.0
65	UCT313		32	25	116	70	43	134	26	170	190	238	80	50	146	75	70.0	UC313	T313	20.5
70	UCT314		36	25	130	85	46	140	26	180	202	252	90	52	155	78	71.0	UC314	T314	25.0
75	UCT315		36	25	132	85	46	150	26	192	216	262	90	55	160	82	77.5	UC315	T315	29.0
80	UCT316		42	28	150	98	53	160	30	204	230	282	102	60	174	86	82.0	UC316	T316	34.8
85	UCT317		42	30	152	98	53	170	32	214	240	298	102	64	183	96	88.0	UC317	T317	43.1
90	UCT318		46	30	160	106	57	175	32	228	255	312	110	66	192	96	89.0	UC318	T318	47.3
95	UCT319		46	31	165	106	57	180	35	240	270	322	110	72	197	103	98.0	UC319	T319	54.4
100	UCT320		48	32	175	115	59	200	35	260	290	345	120	75	210	108	103.5	UC320	T320	68.3
105	UCT321		48	32	175	115	59	200	35	260	290	345	120	75	210	112	105.5	UC321	T321	67.4
110	UCT322		52	38	185	125	65	215	38	285	320	385	130	80	235	117	111.0	UC322	T322	86.5
120	UCT324		60	42	210	140	70	230	45	320	355	432	140	90	267	126	120.0	UC324	T324	121.8
130	UCT326		65	45	220	150	75	240	50	350	385	465	150	100	285	135	131.0	UC326	T326	152.6
140	UCT328		70	50	230	160	80	255	50	380	415	515	155	100	315	145	136.0	UC328	T328	185.6

Lubrication fitting tap size 1/8-27 NPT

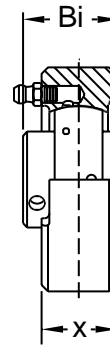
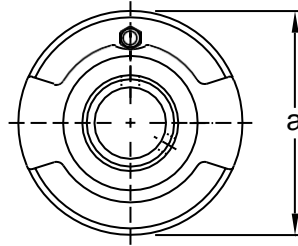
INTERCHANGES: UCT3



CARTRIDGE UNITS

UCC 300

Set-Screw Locking
Wide Inner Ring
Cast Iron Housing
Insert detail-pg.124
Metric-Call for Inch Sizes



Shaft Diam. (mm)	AMI Unit #	List Price	Dimensions (mm)			Bearing #	Housing #	Weight (lb.)
			a	x	Bi			
25	UCC305		90	26	38	UC305	C305	2.45
30	UCC306		100	28	43	UC306	C306	2.9
35	UCC307		110	32	48	UC307	C307	4.01
40	UCC308		120	34	52	UC308	C308	4.91
45	UCC309		130	38	57	UC309	C309	6.02
50	UCC310		140	40	61	UC310	C310	7.36
55	UCC311		150	44	66	UC311	C311	8.70
60	UCC312		160	46	71	UC312	C312	10.7
65	UCC313		170	50	75	UC313	C313	12.7
70	UCC314		180	52	78	UC314	C314	14.7
75	UCC315		190	55	82	UC315	C315	17.2
80	UCC316		200	60	86	UC316	C316	19.9
85	UCC317		215	64	96	UC317	C317	25.0
90	UCC318		225	66	96	UC318	C318	27.5
95	UCC319		240	72	103	UC319	C319	33.9
100	UCC320		260	75	108	UC320	C320	42.8
105	UCC321		260	75	112	UC321	C321	42.2
110	UCC322		300	80	117	UC322	C322	62.7
120	UCC324		320	90	126	UC324	C324	78.1
130	UCC326		340	100	135	UC326	C326	94.1
140	UCC328		360	100	145	UC328	C328	109.1

NOTE: Recommended housing bore:

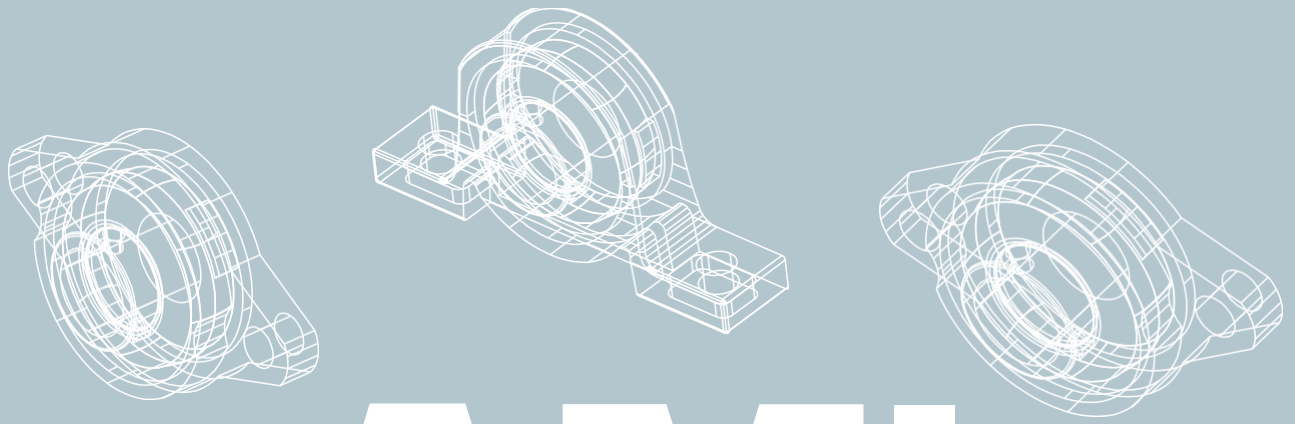
Rotating Shaft: nominal +0.001" ~ +0.003" (+0.025 mm ~ +0.076 mm).

Stationary Shaft: nominal +0.000" ~ -0.002" (+0.000 mm ~ -0.050 mm)

Lubrication fitting tap size 1/8-27 NPT

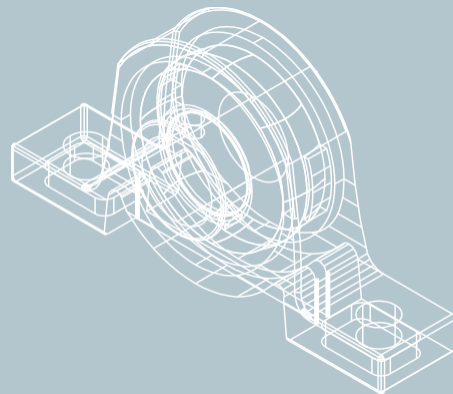
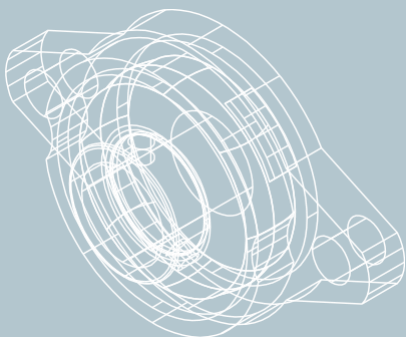
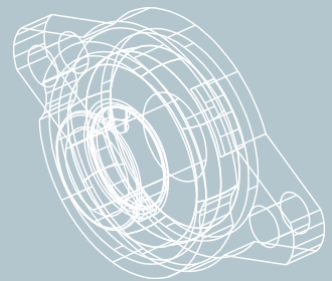
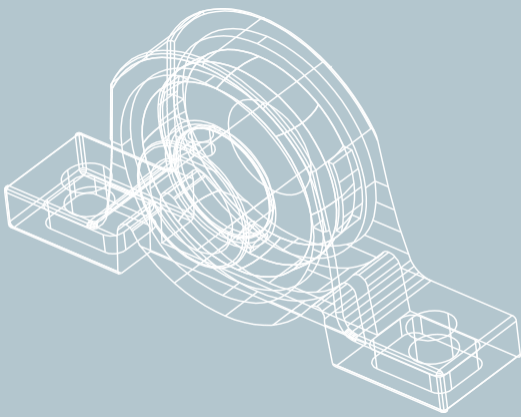
INTERCHANGES: UCC3

HEAVY DUTY



AMI

Silver Series

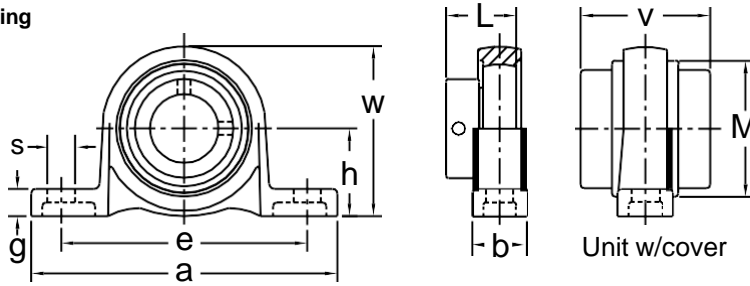




SILVER SERIES PILLOW BLOCKS W/COVERS

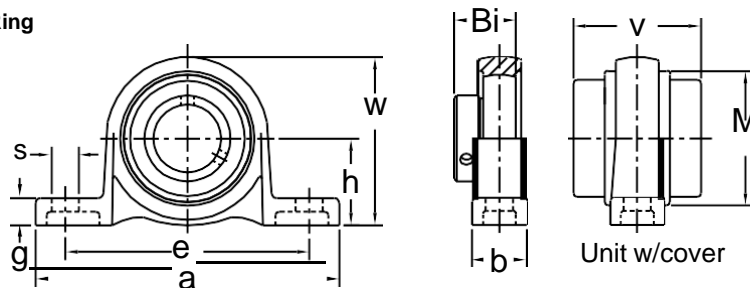
UP / KP / MUP 000

Eccentric Locking
Extra Narrow Inner Ring
ZDC Alloy Housing
52100 Bearing Steel
Non-Relube
Insert detail-pg.127
Metric



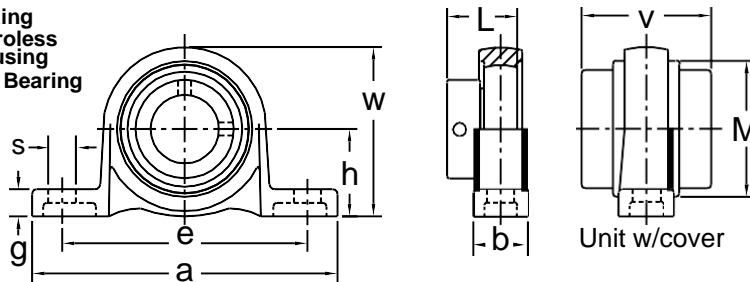
Shaft Diam. (mm)	AMI Unit #	List Price		Dimensions (mm)										Bolt Size (mm)	Bearing #	Housing #	Weight (lb.)	
		No Cover	With Cover C (CE)	h	a	e	b	s	g	w	L	v	M					
10	UP000			18	67	53	16	7	6	35	17.5	33	29	M6	U000	P000	0.17	
12	UP001			19	71	56	16	7	6	38	17.5	33	31		U001	P001	0.20	
15	UP002			22	80	63	16	7	7	43	18.5	34	35		U002	P002	0.28	
17	UP003			24	85	67	18	7	7	47	20.5	38	38		U003	P003	0.35	
20	UP004			28	100	80	20	10	9	55	24.5	46	45		M8	U004	P04-5	0.52
25	UP005			32	112	90	20	10	10	62	25.5	47	50		M8	U005	P05-6	0.66
30	UP006			36	132	106	26	13	11	70	26.5	50	58	M10	U006	P06-7	1.01	

Set-Screw Locking
Extra Narrow Inner Ring
ZDC Alloy Housing
52100 Bearing Steel
Non-Relube
Insert detail-pg.127
Metric

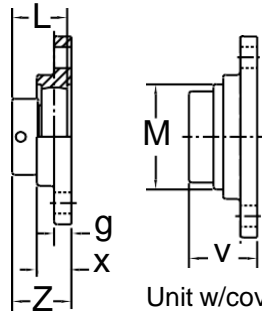
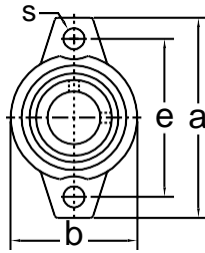


Shaft Diam. (mm)	AMI Unit #	List Price		Dimensions (mm)										Bolt Size (mm)	Bearing #	Housing #	Weight (lb.)	
		No Cover	With Cover C (CE)	h	a	e	b	s	g	w	Bi	v	M					
10	KP000			18	67	53	16	7	6	35	14	33	29	M6	K000	P000	0.17	
12	KP001			19	71	56	16	7	6	38	14.5	33	31		K001	P001	0.20	
15	KP002			22	80	63	16	7	7	43	16.5	34	35		K002	P002	0.28	
17	KP003			24	85	67	18	7	7	47	17.5	38	38		M6	K003	P003	0.35
20	KP004			28	100	80	20	10	9	55	21	46	45		M8	K004	P04-5	0.52
25	KP005			32	112	90	20	10	10	62	22.5	47	50		M8	K005	P05-6	0.66
30	KP006			36	132	106	26	13	11	70	24.5	50	58	M10	K006	P06-7	1.01	

Eccentric Locking
Extra Narrow Inner Ring
ZDC Alloy with Electroless Chromate Finish Housing
440C Stainless Steel Bearing
Non-Relube
Insert detail-pg.127
Metric



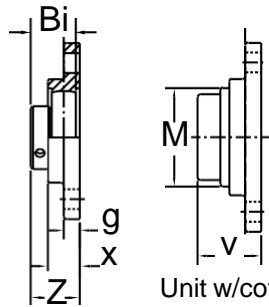
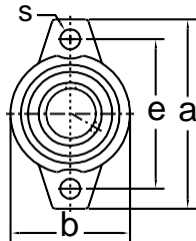
Shaft Diam. (mm)	AMI Unit #	List Price		Dimensions (mm)										Bolt Size (mm)	Bearing #	Housing #	Weight (lb.)	
		No Cover	With Cover C (CE)	h	a	e	b	s	g	w	L	v	M					
10	MUP000			18	67	53	16	7	6	35	17.5	33	29	M6	MU000	P000Z3	0.17	
12	MUP001			19	71	56	16	7	6	38	17.5	33	31		MU001	P001Z3	0.20	
15	MUP002			22	80	63	16	7	7	43	18.5	34	35		MU002	P002Z3	0.28	
17	MUP003			24	85	67	18	7	7	47	20.5	38	38		M6	MU003	P003Z3	0.35
20	MUP004			28	100	80	20	10	9	55	24.5	46	45		M8	MU004	P04-5Z3	0.52
25	MUP005			32	112	90	20	10	10	62	25.5	47	50		M8	MU005	P05-6Z3	0.66
30	MUP006			36	132	106	26	13	11	70	26.5	50	58	M10	MU006	P06-7Z3	1.01	



Eccentric Locking
Extra Narrow Inner Ring
ZDC Alloy Housing
52100 Bearing Steel
Non-Relube
Insert detail-pg.127
Metric

Unit w/cover

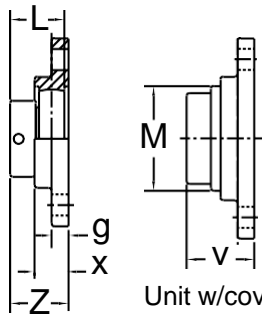
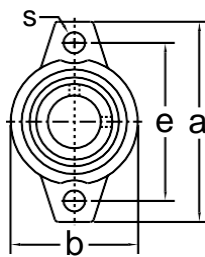
Shaft Diam (mm)	AMI Unit #	List Price		Dimensions (mm)										Bolt Size (mm)	Bearing #	Housing #	Weight (lb.)			
		No Cover	With Cover C (CE)	a	e	g	x	s	b	Z	L	v	M							
10	UFL000			60	45	5.5	11.5	7	36	19	17.5	22	29	M6	U000	FL000	0.14			
12	UFL001			63	48	5.5	11.5	7	38	19	17.5	22	31					U001	FL001	0.17
15	UFL002			67	53	6.5	13	7	42	20.5	18.5	24	35							
17	UFL003			71	56	7	14	7	46	22.5	20.5	26	38	M6	U003	FL003	0.29			
20	UFL004			90	71	8	16	10	55	26.5	24.5	31	45					M8	U004	FL04-5
25	UFL005			95	75	8	16	10	60	27.5	25.5	32	50	M8	U005	FL05-6	0.54			
30	UFL006			112	85	9	18	13	70	29	26.5	34	58					M10	U006	FL06-7
35	UFL007			122	95	10	20	13	80	32.5	29.5	-	-	U007	FL07-8	1.10				



Set-Screw Locking
Extra Narrow Inner Ring
ZDC Alloy Housing
52100 Bearing Steel
Non-Relube
Insert detail-pg.127
Metric

Unit w/cover

Shaft Diam (mm)	AMI Unit #	List Price		Dimensions (mm)										Bolt Size (mm)	Bearing #	Housing #	Weight (lb.)			
		No Cover	With Cover C (CE)	a	e	g	x	s	b	Z	Bi	v	M							
10	KFL000			60	45	5.5	11.5	7	36	15.5	14	22	29	M6	K000	FL000	0.14			
12	KFL001			63	48	5.5	11.5	7	38	16	14.5	22	31					K001	FL001	0.17
15	KFL002			67	53	6.5	13	7	42	18.6	16.5	24	35							
17	KFL003			71	56	7	14	7	46	19.5	17.5	26	38	M6	K003	FL003	0.29			
20	KFL004			90	71	8	16	10	55	23	21	31	45					M8	K004	FL04-5
25	KFL005			95	75	8	16	10	60	24.5	22.5	32	50	M8	K005	FL05-6	0.54			
30	KFL006			112	85	9	18	13	70	27	24.5	34	58					M10	K006	FL06-7

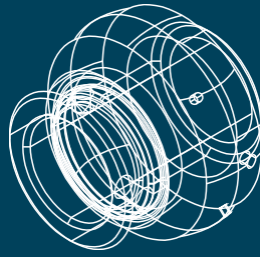
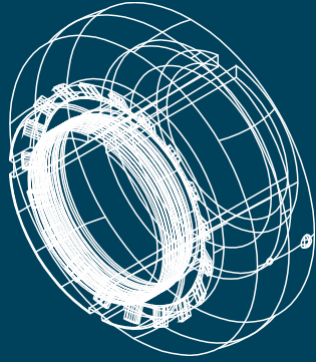


Eccentric Locking
Extra Narrow Inner Ring
ZDC Alloy with Electroless Chromate Finish Housing
440C Stainless Steel Bearing
Non-Relube
Insert detail-pg.127
Metric

Unit w/cover

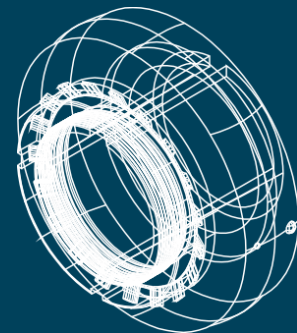
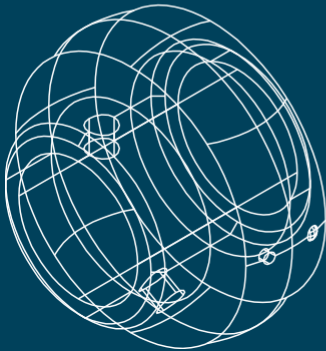
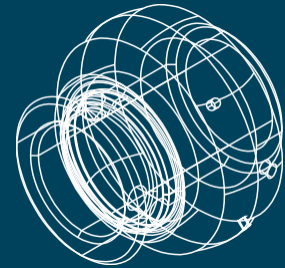
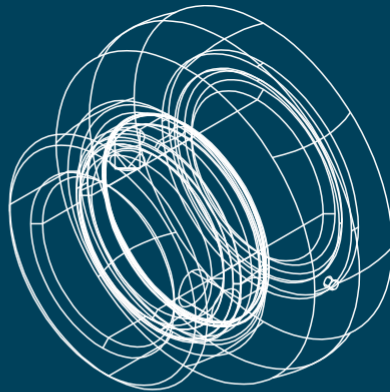
Shaft Diam. (mm)	AMI Unit #	List Price		Dimensions (mm)										Bolt Size (mm)	Bearing #	Housing #	Weight (lb.)			
		No Cover	With Cover C (CE)	a	e	g	x	s	b	Z	L	v	M							
10	MUFL000			60	45	5.5	11.5	7	36	19	17.5	22	29	M6	MU000	FL000Z3	0.14			
12	MUFL001			63	48	5.5	11.5	7	38	19	17.5	22	31					MU001	FL001Z3	0.17
15	MUFL002			67	53	6.5	13	7	42	20.5	18.5	24	35							
17	MUFL003			71	56	7	14	7	46	22.5	20.5	26	38	M6	MU003	FL003Z3	0.29			
20	MUFL004			90	71	8	16	10	55	26.5	24.5	31	45					M8	MU004	FL04-5Z3
25	MUFL005			95	75	8	16	10	60	27.5	25.5	32	50	M8	MU005	FL05-6Z3	0.54			
30	MUFL006			112	85	9	18	13	70	29	26.5	34	58					M10	MU006	FL06-7Z3

SILVER SERIES



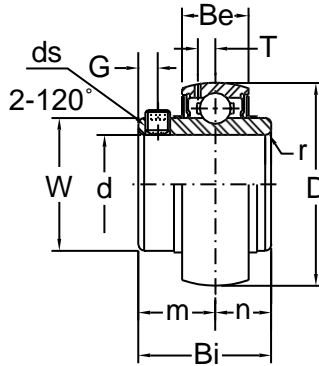
AMI

Inserts





NORMAL DUTY



Set-Screw (120°) Locking
Wide Inner Ring
Steel Cage
AISI 52100 Steel
0°F ~ 212°F
Contact Seal and Slinger
Prelubricated / Relubricatable
Inch

Shaft Diam. (in.) d	AMI Unit #	List Price	Dimensions (in.)										Basic Load Rating (lbf.)		Weight (lb.)		
			D	Bi	Be	r	n	m	G	ds(UNF)	T	W	Dynamic Cr	Static Cor			
1/2	UC201-8																
5/8	UC202-10		1.8504	1.220	0.669	0.039	0.500	0.720	0.177	1/4-28	0.177	1.142	2890	1500	0.46		
11/16	UC203-11																
3/4	UC204-12		1.8504	1.220	0.669	0.059	0.500	0.720	0.177	1/4-28	0.177	1.142	2890	1500	0.35		
7/8	UC205-14																
15/16	UC205-15		2.0472	1.339	0.669	0.059	0.563	0.776	0.197	1/4-28	0.177	1.339	3150	1780	0.42		
1	UC205-16																
1-1/16	UC206-17																
1-1/8	UC206-18		2.4409	1.500	0.748	0.059	0.626	0.874	0.197	1/4-28	0.201	1.594	4410	2540	0.68		
1-3/16	UC206-19																
1-1/4	UC206-20																
1-1/4	* UC207-20																
1-5/16	* UC207-21		2.8346	1.689	0.787	0.079	0.689	1.000	0.236	5/16-24	0.228	1.890	5820	3460	1.06		
1-3/8	* UC207-22																
1-7/16	* UC207-23																
1-1/2	* UC208-24		3.1496	1.937	0.827	0.079	0.748	1.189	0.315	5/16-24	0.244	2.087	6590	4020	1.37		
1-9/16	* UC208-25																
1-5/8	* UC209-26																
1-11/16	* UC209-27		3.3465	1.937	0.866	0.079	0.748	1.189	0.315	5/16-24	0.256	2.256	7420	4610	1.48		
1-3/4	* UC209-28																
1-7/8	* UC210-30																
1-15/16	* UC210-31		3.5433	2.031	0.906	0.079	0.748	1.283	0.354	3/8-24	0.256	2.480	7980	5220	1.72		
2	* UC210-32																
2	UC211-32																
2-1/8	UC211-34		3.9370	2.189	0.945	0.098	0.874	1.315	0.354	3/8-24	0.287	2.756	9700	6610	2.27		
2-3/16	UC211-35																
2-1/4	UC212-36																
2-3/8	UC212-38		4.3307	2.563	1.024	0.098	1.000	1.563	0.394	3/8-24	0.303	3.031	11800	8120	3.20		
2-7/16	UC212-39																
2-1/2	UC213-40		4.7244	2.563	1.063	0.098	1.000	1.563	0.394	3/8-24	0.327	3.232	12900	9000	3.77		
2-11/16	UC214-43		4.9213	2.937	1.142	0.098	1.189	1.748	0.472	7/16-20	0.343	3.425	14000	9900	4.54		
2-3/4	UC214-44																
2-15/16	UC215-47		5.1181	3.063	1.181	0.098	1.311	1.752	0.551	7/16-20	0.362	3.602	14900	10800	4.89		
3	UC215-48																
3-1/4	UC217-52		5.9055	3.374	1.339	0.118	1.343	2.031	0.551	7/16-20	0.413	4.134	18700	13900	7.45		
3-7/16	UC217-55																
3-1/2	UC218-56		6.2992	3.780	1.417	0.118	1.563	2.217	0.591	1/2-20	0.437	4.390	21500	16100	9.57		
1/2	UCW201-8														0.26		
9/16	UCW202-9		1.5748	1.024	0.591	0.039	0.394	0.630	0.157	10-32	0.157	0.972	2150	1080	0.24		
5/8	UCW202-10																
11/16	UCW203-11														0.22		

NOTE: *Double Lip (RD) and Triple Lip (RT) Seals are available for these sizes. Consult AMI for pricing and availability.
Example: UC207-20RD (Double Lip) or UC207-20RT (Triple Lip)

INTERCHANGES: VS-2 INS-SC GY1-KRRB YW250 UG2-NL MB-25-PA YAR2 2-

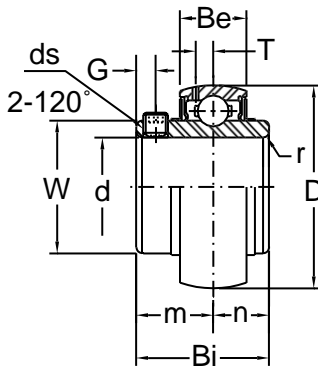


BALL BEARINGS

UC / UCW 200

NORMAL DUTY

Set-Screw (120°) Locking
Wide Inner Ring
Steel Cage
AISI 52100 Steel
0°F ~ 212°F
Contact Seal and Slinger
Prelubricated / Relubricatable
Metric



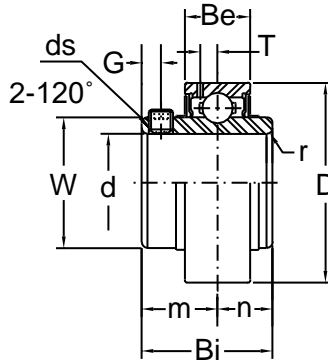
Shaft Diam. (mm) d	AMI Unit #	List Price	Dimensions (mm)										Basic Load Rating (kgf.)		Weight (lb.)		
			D	Bi	Be	r	n	m	G	ds	T	W	Dynamic Cr	Static Cor			
12	UC201																0.47
15	UC202		47	31	17	1	12.7	18.3	4.5	M6X0.75	4.5	29	1310	680		0.42	
17	UC203															0.40	
20	UC204		47	31	17	1.5	12.7	18.3	4.5	M6X0.75	4.5	29	1310	680		0.36	
25	UC205		52	34	17	1.5	14.3	19.7	5	M6X0.75	4.5	34	1430	800		0.42	
30	UC206		62	38.1	19	1.5	15.9	22.2	5	M6X0.75	5.1	40.5	2000	1150		0.69	
35	* UC207		72	42.9	20	2	17.5	25.4	6	M8X1	5.8	48	2640	1570		1.07	
40	* UC208		80	49.2	21	2	19	30.2	8	M8X1	6.2	53	2990	1830		1.38	
45	* UC209		85	49.2	22	2	19	30.2	8	M8X1	6.5	57.3	3350	2090		1.49	
50	* UC210		90	51.6	23	2	19	32.6	9	M10X1.25	6.5	63	3600	2370		1.74	
55	UC211		100	55.6	24	2.5	22.2	33.4	9	M10X1.25	7.3	70	4400	3000		2.30	
60	UC212		110	65.1	26	2.5	25.4	39.7	10	M10X1.25	7.7	77	5350	3700		3.23	
65	UC213		120	65.1	27	2.5	25.4	39.7	10	M10X1.25	8.3	82.1	5850	4100		3.81	
70	UC214		125	74.6	29	2.5	30.2	44.4	12	M12X1.5	8.7	87	6350	4500		4.59	
75	UC215		130	77.8	30	2.5	33.3	44.5	14	M12X1.5	9.2	91.5	6750	4900		4.95	
80	UC216		140	82.6	32	3	33.3	49.3	14	M12X1.5	9.6	98.5	7400	5400		6.29	
85	UC217		150	85.7	34	3	34.1	51.6	14	M12X1.5	10.5	105	8500	6300		7.54	
90	UC218		160	96	36	3	39.7	56.3	15	M12X1.5	11.1	111.5	9750	7300		9.68	
Dimensions (mm)																	
12	UCW201																0.27
15	UCW202		40	26	15	1	10	16	4	M5x0.8	4	24.7	975	490		0.25	
17	UCW203																0.22

NOTE: *Double Lip (RD) and Triple Lip (RT) Seals are available for these sizes. Consult AMI for pricing and availability.
Example: UC207RD (Double Lip) or UC207RT (Triple Lip)

INTERCHANGES: VS-2 | INS-SC | GY1-KRRB | YW250 | UG2-NL | MB-25-PA | YAR2 | 2-



NORMAL DUTY



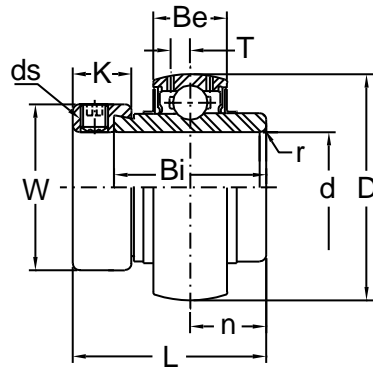
Set-Screw (120°) Locking
Wide Inner Ring
Steel Cage
AISI 52100 Steel
0°F ~ 212°F
Contact Seal and Slinger
Cylindrical O.D.
Prelubricated / Relubricatable
Inch and Metric

Shaft Diam. (in.) d	AMI Unit #	List Price	Dimensions (in.)										Basic Load Rating (lbf.)		Weight (lb.)
			D	Bi	Be	r	n	m	G	ds(UNF)	T	W	Dynamic Cr	Static Cor	
1/2	URW201-8		1.5748	1.024	0.591	0.039	0.394	0.630	0.157	10-32	0.157	0.972	2150	1080	0.26
5/8	URW202-10		1.8504	1.220	0.669	0.059	0.500	0.720	0.177	1/4-28	0.177	1.142	2890	1500	0.24
3/4	UR204-12		2.0472	1.339	0.669	0.059	0.563	0.776	0.197	1/4-28	0.177	1.339	3150	1780	0.35
1	UR205-16		2.4409	1.500	0.748	0.059	0.626	0.874	0.197	1/4-28	0.201	1.594	4410	2540	0.42
1-1/4	UR206-20		2.8346	1.689	0.787	0.079	0.689	1.000	0.236	5/16-24	0.228	1.890	5820	3460	0.68
1-1/4	UR207-20		3.1496	1.937	0.827	0.079	0.748	1.189	0.315	5/16-24	0.244	2.087	6590	4020	1.06
1-7/16	UR207-23														1.37
1-1/2	UR208-24														
			Dimensions (mm)										Basic Load Rating (kgf.)		
20	UR204		47	31	17	1.5	12.7	18.3	4.5		4.5	29	1310	680	0.36
25	UR205		52	34	17	1.5	14.3	19.7	5	M6X0.75	4.5	34	1430	800	0.42
30	UR206		62	38.1	19	1.5	15.9	22.2	5		5.1	40.5	2000	1150	0.69
35	UR207		72	42.9	20	2	17.5	25.4	6		5.8	48	2640	1570	1.07
40	UR208		80	49.2	21	2	19	30.2	8	M8X1	6.2	53	2990	1830	1.38
45	UR209		85	49.2	22	2	19	30.2	8		6.5	57.3	3350	2090	1.49

INTERCHANGES: UBG2-NL



Eccentric Locking
Wide Inner Ring
Steel Cage
AISI 52100 Steel
0°F ~ 212°F
Contact Seal and Slinger
Inch and Metric



Shaft Diam. (in.) d	AMI Unit #	List Price	Dimensions (in.)										Basic Load Rating (lbf.)		Weight (lb.)
			D	L	Bi	Be	r	n	T	W	K	ds(UNF)	Dynamic Cr	Static Cor	
1/2	UGW201-8		1.5748	1-15/32	1-3/32	0.591	0.039	35/64	0.157	1-1/8	17/32	1/4-28	2150	1080	0.35
5/8	UGW202-10		1.8504	1-23/32	1-11/32	0.669	0.059	43/64	0.177	1-5/16	17/32	1/4-28	2890	1500	0.46
3/4	UG204-12		2.0472	1-3/4	1-3/8	0.669	0.059	11/16	0.177	1-1/2	17/32	1/4-28	3150	1780	0.51
7/8	UG205-14		2.4409	1-29/32	1-7/16	0.748	0.059	23/32	0.201	1-3/4	5/8	5/16-24	4410	2540	0.82
15/16	UG205-15		2.8346	2-1/64	1-31/64	0.787	0.079	0.740	0.228	2-3/16	11/16	3/8-24	5820	3460	1.32
1	UG205-16		3.1496	2-7/32	1-11/16	0.827	0.079	27/32	0.244	2-3/8	23/32	3/8-24	6590	4020	1.68
1-1/8	UG206-18		3.3465	2-7/32	1-11/16	0.866	0.079	27/32	0.256	2-1/2	23/32	3/8-24	7420	4610	1.74
1-3/16	UG206-19		3.5433	2-15/32	1-15/16	0.906	0.079	31/32	0.256	2-3/4	23/32	3/8-24	7940	5220	2.01
1-1/4	UG206-20		3.9370	2-13/16	2-3/16	0.945	0.098	1-3/32	0.287	3	13/16	7/16-20	9700	6610	2.78
1-1/4	*UG207-20		4.3307	3-1/16	2-7/16	1.024	0.098	1-7/32	0.303	3-5/16	7/8	7/16-20	11800	8120	3.75
1-5/16	*UG207-21														
1-3/8	*UG207-22														
1-7/16	*UG207-23														
1-1/2	*UG208-24														
1-9/16	**UG208-25														
1-5/8	*UG209-26														
1-11/16	*UG209-27														
1-3/4	*UG209-28														
1-7/8	*UG210-30														
1-15/16	*UG210-31														
2	*UG210-32														
2	UG211-32														
2-1/8	UG211-34														
2-3/16	UG211-35														
2-1/4	UG212-36														
2-3/8	UG212-38														
2-7/16	UG212-39														
			Dimensions (mm)										Basic Load Rating (kgf.)		
20	UG204		47	43.7	34.2	17	1.5	17.1	4.5	33.3	13.5	M6x0.75	1310	680	0.47
25	UG205		52	44.4	34.9	17	1.5	17.5	4.5	38.1	13.5	M6x0.75	1430	800	0.51
30	UG206		62	48.4	36.5	19	1.5	18.3	5.1	44.5	15.9	M8x1	2000	1150	0.83
35	*UG207		72	51.1	37.6	20	2	18.8	5.8	55.6	17.5		2640	1570	1.34
40	*UG208		80	56.3	42.8	21	2	21.4	6.2	60.3	18.3	M10x1.25	2990	1830	1.69
45	*UG209		85	56.3	42.8	22	2	21.4	6.5	63.5	18.3		3350	2090	1.76
50	*UG210		90	62.7	49.2	23	2	24.6	6.5	69.9	18.3	M10x1.25	3600	2370	2.03
55	UG211		100	71.4	55.5	24	2.5	27.8	7.3	76.2	20.7	M12x1.5	4400	3000	2.81
60	UG212		110	77.8	61.9	26	2.5	31	7.7	84.2	22.3	M12x1.5	5350	3700	3.79

NOTE: *Double Lip (RD) and Triple Lip (RT) Seals are available for these sizes. Consult AMI for pricing and availability.

Example: UC207-20RD (Double Lip) or UC207-20RT (Triple Lip)

**Consult factory for availability

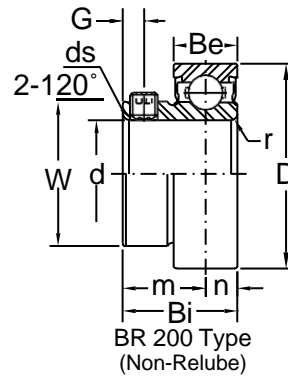
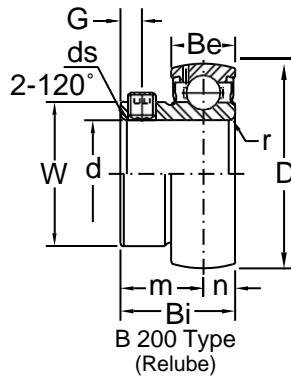
INTERCHANGES: VE-2 INS-SXR G1-KRRB YG2-NL YEL2 UEL2 R-E

B / BR

BALL BEARINGS



NORMAL DUTY



Set-Screw (120°) Locking
Narrow Inner Ring
Steel Cage
AISI 52100 Steel
0°F ~ 212°F
Contact Seal
Inch and Metric

Shaft Diam. (in.) d	AMI Unit #	List Price	Dimensions (in.)									Basic Load Rating (lbf.)		Weight (lb.)
			D	Bi	Be	r	n	m	G	ds(UNF)	W	Dynamic Cr	Static Cor	
1/2	B1-8	BR1-8	1.5748	0.866	0.472	0.039	0.236	0.630	0.157	10-32	0.972	2150	1080	0.22
5/8	B2-10	BR2-10												
3/4	B4-12	BR4-12	1.8504	0.972	0.551	0.059	0.276	0.697	0.177	10-32	1.142	2890	1500	0.26
7/8	B5-14	BR5-14	2.0472	1.063	0.591	0.059	0.295	0.767	0.197	1/4-28	1.339	3150	1780	0.35
15/16	B5-15	BR5-15												
1	B5-16	BR5-16	2.4409	1.193	0.630	0.059	0.315	0.878	0.197	1/4-28	1.594	4410	2540	0.55
1-1/16	B6-17	—												
1-1/8	B6-18	BR6-18	2.8346	1.295	0.669	0.079	0.335	0.961	0.236	5/16-24	1.890	5820	3460	0.84
1-3/16	B6-19	BR6-19												
1-1/4	B6-20	BR6-20	3.1496	1.398	0.709	0.079	0.354	1.043	0.315	5/16-24	2.087	6592	4020	1.08
1-1/4	B7-20	BR7-20												
1-5/16	B7-21	BR7-21	2.8346	1.295	0.669	0.079	0.335	0.961	0.236	5/16-24	1.890	5820	3460	0.84
1-3/8	B7-22	BR7-22												
1-7/16	B7-23	BR7-23	3.1496	1.398	0.709	0.079	0.354	1.043	0.315	5/16-24	2.087	6592	4020	1.08
1-1/2	B8-24	—												

Shaft Diam. (mm)	AMI Unit #	List Price	Dimensions (mm)									Basic Load Rating (kgf.)		Weight (lb.)
			D	Bi	Be	r	n	m	G	ds(Metric)	W	Dynamic Cr	Static Cor	
12	B1	BR1	40	22	12	1	6	16	4	M5X0.8	24.7	975	490	0.20
15	B2	BR2												
17	B3	BR3												
20	B4	BR4	47	24.7	14	1.5	7	17.7	4.5	M5X0.8	29	1310	680	0.27
25	B5	BR5	52	27	15	1.5	7.5	19.5	5	M6X0.75	34	1430	800	0.36
30	B6	BR6	62	30.3	16	1.5	8	22.3	5	M6X0.75	40.5	2000	1150	0.56
35	B7	BR7	72	32.9	17	2	8.5	24.4	6	M8X1	48	2640	1570	0.85
40	B8	—	80	35.5	18	2	9	26.5	8	M8X1	53	2990	1830	1.09

INTERCHANGES: VS-1 INS-VSC YA-RRB SB2 B250 GAY-NPP SG2-NL AS2 L- SLS-1 SBG2-EL MSLN SL-

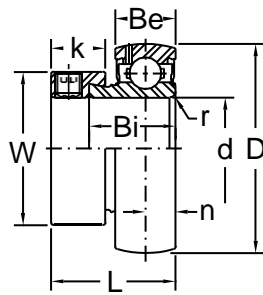


BALL BEARINGS

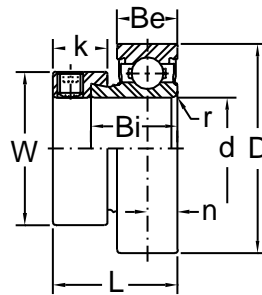
KH / KHR 200

NORMAL DUTY

**Eccentric Locking
Narrow Inner Ring
Steel Cage
AISI 52100 Steel
0°F ~ 212°F
Contact Seal
Prelubricated / Relubricatable
Inch and Metric**



**KH 200 Type
(Relube)**



**KHR 200 Type
(Non-Relube)**



Shaft Diam. (in.) d	AMI Unit #		List Price	Dimensions (in.)								Basic Load Rating (lb.)		Weight (lb.)	
	D	L		Bi	Be	r	n	W	K	ds(UNF)	Dynamic Cr	Static Cor			
1/2	KH201-8	KHR201-8		1.5748	1-1/8	0.752	0.472	0.039	0.256	1-1/8	17/32	1/4-28	2150	1080	0.26
5/8	KH202-10	KHR202-10		1.8504	1-7/32	0.846	0.551	0.059	0.295	1-5/16	17/32	1/4-28	2890	1500	0.35
3/4	KH204-12	KHR204-12		2.0472	1-7/32	0.846	0.591	0.059	0.295	1-1/2	17/32	1/4-28	3150	1780	0.44
7/8	KH205-14	KHR205-14		2.4409	1-13/32	0.938	0.630	0.059	0.354	1-3/4	5/8	5/16-24	4410	2540	0.68
15/16	KH205-15	KHR205-15													
1	KH205-16	KHR205-16		2.8346	1-17/32	1.000	0.669	0.079	0.374	2-3/16	11/16	3/8-24	5820	3460	1.08
1-1/16	—	KHR206-17													
1-1/8	KH206-18	KHR206-18		3.1496	1-23/32	1.188	0.709	0.079	0.433	2-3/8	23/32	3/8-24	6590	4020	1.37
1-3/16	KH206-19	KHR206-19													
1-1/4	KH206-20	KHR206-20		3.3465	1-23/32	1.188	0.748	0.079	0.433	2-1/2	23/32	3/8-24	7420	4610	1.43
1-1/4	KH207-20	KHR207-20													
1-5/16	KH207-21	KHR207-21		3.5433	1-23/32	1.188	0.787	0.079	0.433	2-3/4	23/32	3/8-24	7940	5220	1.65
1-3/8	KH207-22	KHR207-22													
1-7/16	KH207-23	KHR207-23		3.9370	1-29/32	1.281	0.827	0.098	0.472	3	13/16	7/16-20	9700	6610	2.07
1-1/2	KH208-24	KHR208-24													
1-5/8	KH209-26	KHR209-26		40	28.6	19.1	12	1	6.5	28.6	13.5	M6X0.75	975	490	0.27
1-11/16	KH209-27	KHR209-27													
1-3/4	KH209-28	KHR209-28		47	31	21.5	14	1.5	7.5	33.3	13.5	M6X0.75	1310	680	0.36
1-7/8	KH210-30	KHR210-30													
1-15/16	KH210-31	KHR210-31		52	31	21.5	15	1.5	7.5	38.1	13.5	M6X0.75	1430	800	0.45
2	KH211-32	KHR211-32													
2	KH211-32	KHR211-32		62	35.7	23.8	16	1.5	9	44.5	15.9	M8X1	2000	1150	0.69
2-1/8	KH211-34	KHR211-34													
2-3/16	KH211-35	KHR211-35		72	38.9	25.4	17	2	9.5	55.6	17.5	—	2640	1570	1.09
2-3/16	KH211-35	KHR211-35													
				80	43.7	30.2	18	2	11	60.3	18.3	M10X1.25	2990	1830	1.38
				85	43.7	30.2	19	2	11	63.5	18.3	—	3350	2090	1.45
				90	43.7	30.2	20	2	11	69.9	18.3	M10X1.25	3600	2370	1.67
				100	48.7	32.5	21	2.5	12	75.8	20.7	M12x1.5	4400	3000	2.07

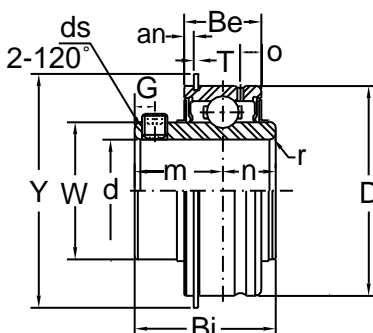
INTERCHANGES: VE-1 INS-SXV RA-RRB SA2 B220 GRA-NPP W2-UL YET2 AEL2 SLE-1 WB2-UL AELS

SER 200

CYLINDRICAL O.D. BALL BEARINGS W/SNAP RING



NORMAL DUTY



Set-Screw (120°) Locking
Wide Inner Ring
Steel Cage
AISI 52100 Steel
0°F ~ 212°F
Contact Seal and Slinger
Cylindrical O.D.
Prelubricated / Relubricatable
Inch and Metric

Shaft Diam. (in.) d	AMI Unit #	List Price	Dimensions (in.)													Basic Load Rating (lb.)		Weight (lb.)
			D	Bi	Be	r	n	m	G	ds(UNF)	o	W	an	T	Y(max)	Dynamic Cr	Static Cor	
1/2	SER201-8		1.8504	1-7/32	5/8	0.039	13/32	13/16	0.177	1/4-28	0.150	1.142	3/32	0.042	2.075	2890	1500	0.60
5/8	SER202-10																	0.55
3/4	SER204-12		1.8504	1-7/32	5/8	0.059	13/32	13/16	0.177	1/4-28	0.150	1.142	3/32	0.042	2.075	2890	1500	0.48
7/8	SER205-14																	
15/16	SER205-15		2.0472	1-3/8	3/4	0.059	33/64	55/64	0.197	1/4-28	13/64	1.339	3/32	0.042	2.280	3150	1780	0.62
1	SER205-16																	
1-1/16	SER206-17																	
1-1/8	SER206-18		2.4409	1-1/2	7/8	0.059	5/8	7/8	0.197	1/4-28	7/32	1.594	1/8	0.065	2.665	4410	2540	0.84
1-3/16	SER206-19																	
1-1/4	SER206-20																	
1-1/4	SER207-20																	
1-5/16	SER207-21		2.8346	1-11/16	15/16	0.079	11/16	1	0.236	5/16-24	7/32	1.890	1/8	0.065	3.095	5820	3460	1.23
1-3/8	SER207-22																	
1-7/16	SER207-23																	
1-1/2	SER208-24		3.1496	1-15/16	1-3/32	0.079	3/4	1-3/16	0.315	5/16-24	1/4	2.087	1/8	0.065	3.410	6590	4020	1.92
1-9/16	SER208-25																	
1-5/8	SER209-26																	
1-11/16	SER209-27		3.3465	1-15/16	1-3/32	0.079	3/4	1-3/16	0.315	5/16-24	1/4	2.256	1/8	0.065	3.606	7420	4610	2.09
1-3/4	SER209-28																	
1-7/8	SER210-30		3.5433	2-1/32	1-1/8	0.079	3/4	1-9/32	0.354	3/8-24	19/64	2.480	1/8	0.095	3.799	7940	5220	2.27
1-15/16	SER210-31																	
2	SER211-32																	
2-1/8	SER211-34		3.9370	2-3/16	1-3/16	0.098	7/8	1-5/16	0.354	3/8-24	19/64	2.756	1/8	0.095	4.193	9700	6610	2.67
2-3/16	SER211-35																	
2-1/4	SER212-36																	
2-3/8	SER212-38		4.3307	2-9/16	1-1/4	0.098	1	1-9/16	0.394	3/8-24	19/64	3.031	1/8	0.095	4.591	11800	8160	3.70
2-7/16	SER212-39																	

Shaft Diam. (mm)	AMI Unit #	List Price	Dimensions (mm)													Basic Load Rating (kgf.)		Weight (lb.)
			D	Bi	Be	r	n	m	G	ds(UNF)	o	W	an	T	Y(max)	Dynamic Cr	Static Cor	
12	SER201		47	31	15.9	1	10.3	20.7	4.5	M6X0.75	3.8	29	2.38	1.07	52.7	1310	680	0.60
15	SER202																	0.56
17	SER203																	0.51
20	SER204		47	31	15.9	1.5	10.3	20.7	4.5	M6X0.75	3.8	29	2.38	1.07	52.7	1310	680	0.48
25	SER205		52	34.9	19	1.5	13.1	21.8	5	M6X0.75	5.2	34	2.38	1.07	57.9	1430	800	0.62
30	SER206		62	38.1	22.2	1.5	15.9	22.2	5	M6X0.75	5.6	40.5	3.18	1.65	67.7	2000	1150	0.84
35	SER207		72	42.9	23.8	2	17.5	25.4	6	M8X1.0	5.6	48	3.18	1.65	78.6	2640	1570	1.23
40	SER208		80	49.2	27.8	2	19	30.2	8	M8X1.0	6.4	53	3.18	1.65	86.6	2990	1830	1.92
45	SER209		85	49.2	27.8	2	19	30.2	8	M8X1.0	6.4	57.3	3.18	1.65	91.6	3350	2090	2.09
50	SER210		90	51.6	28.6	2	19	32.6	9	M10X1.25	7.5	63	3.18	2.41	96.5	3600	2370	2.27
55	SER211		100	55.6	30.2	2.5	22.2	33.4	9	M10X1.25	7.5	70	3.18	2.41	106.5	4400	3000	2.67
60	SER212		110	65.1	31.8	2.5	25.4	39.7	10	M10X1.25	7.5	77	3.18	2.41	116.6	5350	3700	3.70

INTERCHANGES: VER-2 ER UBGL2-NL

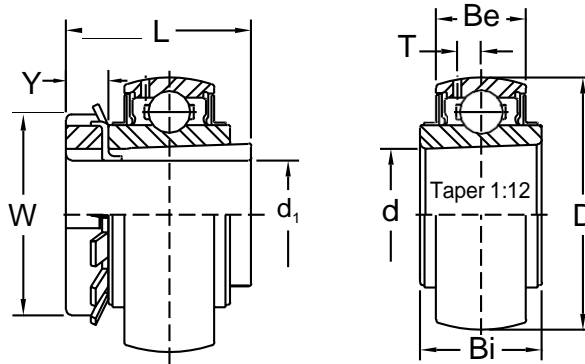


BALL BEARINGS

UK 200+H

NORMAL DUTY

**Tapered Adapter Sleeve Locking
Wide Inner Ring**
Steel Cage
AISI 51200 Steel
0°F ~ 212°F
Contact Seal and Slinger
Prelubricated / Relubricatable
Inch and Metric



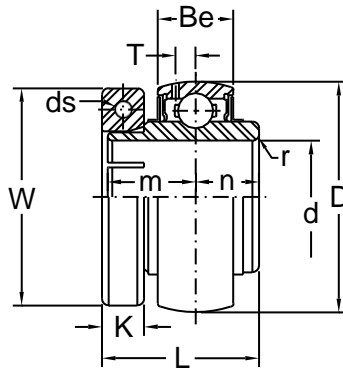
Shaft Diam. (in.) d1	AMI Unit #	List Price	Dimensions (in.)								Basic Load Rating (lbf.)		Weight (lb.)
			D	L	d	Bi	Be	T	Y	W	Dynamic Cr	Static Cor	
3/4	UK205+HE2305		2.0472	1.378	0.9843	0.906	0.669	0.177	0.315	1.496	3150	1780	0.53
13/16	UK205+HA2305												
7/8	UK206+HS2306		2.4409	1.496	1.1811	1.024	0.748	0.201	0.315	1.772	4410	2540	0.88
15/16	UK206+HA2306												
1	UK206+HE2306												
1-1/8	*UK207+HS2307		2.8346	1.693	1.3780	1.063	0.787	0.228	0.354	2.047	5820	3460	1.17
1-3/16	*UK207+HA2307												
1-1/4	*UK208+HE2308		3.1496	1.811	1.5748	1.142	0.827	0.244	0.394	2.283	6590	4020	1.52
1-5/16	*UK208+HA2308												
1-3/8	*UK208+HS2308												
1-7/16	*UK209+HA2309		3.3465	1.969	1.7717	1.181	0.866	0.256	0.433	2.559	7420	4610	1.70
1-1/2	*UK209+HE2309												
1-5/8	*UK209+HS2309												
1-11/16	*UK210+HA2310		3.5433	2.165	1.9685	1.220	0.906	0.256	0.472	2.756	7940	5220	2.05
1-3/4	*UK210+HE2310												
1-7/8	UK211+HS2311		3.9370	2.323	2.1654	1.299	0.945	0.287	0.472	2.953	9700	6610	2.56
1-15/16	UK211+HA2311												
2	UK211+HE2311												
2-1/16	UK212+HA2312		4.3307	2.441	2.3622	1.417	1.024	0.303	0.512	3.150	11800	8120	3.24
2-1/8	UK212+HS2312												
2-3/16	UK213+HA2313		4.7244	2.559	2.5591	1.496	1.063	0.327	0.551	3.346	12900	9000	4.01
2-1/4	UK213+HE2313												
2-3/8	UK213+HS2313												
2-7/16	UK215+HA2315		5.1181	2.874	2.9528	1.614	1.181	0.362	0.591	3.858	14900	10800	5.71
2-1/2	UK215+HE2315												
2-11/16	UK216+HA2316		5.5118	3.071	3.1496	1.732	1.260	0.378	0.669	4.134	16300	11900	7.21
2-3/4	UK216+HE2316												
2-15/16	UK217+HA2317		5.9055	3.228	3.3465	1.811	1.339	0.413	0.709	4.331	18700	13900	8.64
3	UK217+HE2317												
3-1/8	UK218+HS2318		6.2992	3.386	3.5433	1.929	1.417	0.437	0.709	4.724	21500	16100	10.31
			Dimensions (mm)								Basic Load Rating (kgf.)		
20	UK205+H2305		52	35	25	23	17	4.5	8	38	1430	800	0.54
25	UK206+H2306		62	38	30	26	19	5.1	8	45	2000	1150	0.89
30	*UK207+H2307		72	43	35	27	20	5.8	9	52	2640	1570	1.18
35	*UK208+H2308		80	46	40	29	21	6.2	10	58	2990	1830	1.54
40	*UK209+H2309		85	50	45	30	22	6.5	11	65	3350	2090	1.72
45	*UK210+H2310		90	55	50	31	23	6.5	12	70	3600	2370	2.07
50	UK211+H2311		100	59	55	33	24	7.3	12	75	4400	3000	2.59
55	UK212+H2312		110	62	60	36	26	7.7	13	80	5350	3700	3.28
60	UK213+H2313		120	65	65	38	27	8.3	14	85	5850	4100	4.06
65	UK215+H2315		130	73	75	41	30	9.2	15	98	6750	4900	5.78
70	UK216+H2316		140	78	80	44	32	9.6	17	105	7400	5400	7.29
75	UK217+H2317		150	82	85	46	34	10.5	18	110	8500	6300	8.74
80	UK218+H2318		160	86	90	49	36	11.1	18	120	9750	7300	10.5

NOTE: *Double Lip (RD) and Triple Lip (RT) Seals are available for these sizes. Consult AMI for pricing and availability.
Example: UC207-20RD (Double Lip) or UC207-20RT (Triple Lip)

INTERCHANGES: UK2



NORMAL DUTY



Accu-Loc Concentric Locking Collar
 Wide Inner Ring
 Steel Cage
 AISI 52100 Steel
 w/Black Oxide Finish
 0°F ~ 212°F
 Contact Seal and Slinger
 Prelubricated / Relubricatable
 Inch and Metric

Shaft Diam. (in.) d1	AMI Unit #	List Price	Dimensions (in.)										Basic Load Rating (lbf.)		Weight (lb.)	
			D	L	Be	r	n	m	T	W	K	ds(UNC)	Dynamic Cr	Static Cr		
3/4	UE204-12		1.8504	1.299	0.669	0.059	0.500	0.720	0.177	1.724	0.374	8-32	2890	1500	0.51	
7/8	UE205-14		2.0472	1.394	0.669	0.059	0.563	0.780	0.177	1.929	0.374	8-32	3150	1780	0.62	
15/16	UE205-15															
1	UE205-16		2.4409	1.567	0.748	0.059	0.626	0.874	0.201	2.185	0.374	8-32	4410	2540	0.90	
1-1/8	UE206-18															
1-3/16	UE206-19															
1-1/4	UE206-20		2.8346	1.728	0.787	0.079	0.689	1.000	0.228	2.421	0.433	10-24	5820	3460	1.39	
1-3/8	UE207-22															
1-7/16	UE207-23									3.1496	1.976	0.827	0.079	0.748	1.189	0.244
1-1/2	UE208-24															
1-11/16	UE209-27		3.3465	1.976	0.866	0.079	0.748	1.189	0.256	2.913	0.433	10-24	7420	4030	1.87	
1-3/4	UE209-28															
1-15/16	UE210-31		3.5433	2.071	0.906	0.079	0.748	1.283	0.256	3.189	0.571	1/4-20	7940	5220	2.34	
2	UE210-32															
2	UE211-32		3.9370	2.228	0.945	0.098	0.874	1.315	0.287	3.189	0.571	1/4-20	9700	6610	3.13	
2-3/16	UE211-35															
2-7/16	UE212-39		4.3307	2.622	1.024	0.098	1.000	1.563	0.303	4.055	0.687	5/16-18	11800	8120	4.54	
			Dimensions (mm)										Basic Load Rating (kgf.)			
20	UE204		47	33.0	17	1.5	12.7	18.3	4.5	43.8	9.5		1310	680	0.51	
25	UE205		52	35.4	17	1.5	14.3	19.8	4.5	49.0	9.5	M4x0.7x16	1430	800	0.62	
30	UE206		62	39.8	19	1.5	15.9	22.2	5.1	55.5	9.5		2000	1150	0.90	
35	UE207		72	43.9	20	2	17.5	25.4	5.8	64.0	11.0		2640	1570	1.39	
40	UE208		80	50.2	21	2	19	30.2	6.2	68.0	11.0	M5x0.8x20	2990	1830	1.70	
45	UE209		85	50.2	22	2	19	30.2	6.5	74.0	11.0		3350	2090	1.87	
50	UE210		90	52.6	23	2	19	32.6	6.5	81.0	14.5	M6x1x25	3600	2370	2.34	
55	UE211		100	56.6	24	2.5	22.2	33.4	7.3	92.0	14.5	M6x1x25	4400	3000	3.13	
60	UE212		110	66.6	26	2.5	25.4	39.7	7.7	103.0	17.4	M8x1.25x25	5350	3700	4.54	

INTERCHANGES: VB-2 INS-DL KMB-45 2-T

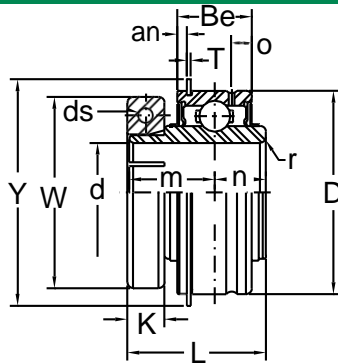


CYLINDRICAL O.D. ACCU-LOC BALL BEARINGS

SUE 200

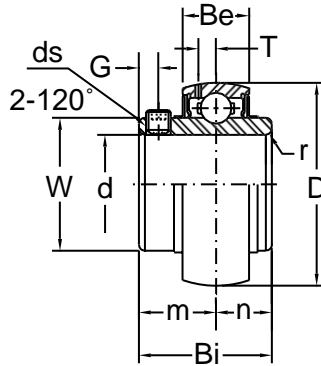
NORMAL DUTY

Accu-Loc Concentric Locking Collar
 Wide Inner Ring
 Steel Cage
 AISI 52100 Steel
 w/Black Oxide Finish
 0°F ~ 212°F
 Contact Seal and Slinger
 Cylindrical O.D.
 Prelubricated / Relubricatable
 Inch and Metric



Shaft Diam. (in.)	AMI Unit #	List Price	Dimensions (in.)													Basic Load Rating (lb.)		
			D	L	Be	r	O	n	m	W	K	an	T	Y(max)	ds(UNC)	Dynamic Cr	Static Cor	Weight (lb.)
3/4	SUE204-12		1.8504	1.299	5/8	0.059	0.150	13/32	13/16	1.724	0.374	3/32	0.042	2.075	8-32	2890	1500	0.64
1	SUE205-16		2.0472	1.394	3/4	0.059	13/64	33/64	55/64	1.929	0.374	3/32	0.042	2.280	8-32	3150	1780	0.82
1-1/8	SUE206-18																	
1-3/16	SUE206-19		2.4409	1.567	7/8	0.059	7/32	5/8	7/8	2.185	0.374	1/8	0.065	2.665	8-32	4410	2540	1.04
1-1/4	SUE206-20																	
1-1/4	SUE207-20									2.421								
1-3/8	SUE207-22		2.8346	1.728	15/16	0.079	7/32	11/16	1	2.520	0.433	1/8	0.065	3.095	10-24	5820	3460	1.54
1-7/16	SUE207-23																	
1-1/2	SUE208-24		3.1496	1.976	1-3/32	0.079	1/4	3/4	1-3/16	2.677	0.433	1/8	0.065	3.410	10-24	6590	4020	2.23
1-11/16	SUE209-27																	
1-3/4	SUE209-28		3.3465	1.976	1-3/32	0.079	1/4	3/4	1-3/16	2.913	0.433	1/8	0.065	3.606	10-24	7420	4030	2.45
1-15/16	SUE210-31		3.5433	2.071	1-1/8	0.079	19/64	3/4	1-9/32	3.189	0.571	1/8	0.095	3.799	1/4-20	7940	5220	2.87
2	SUE211-32									3.189								
2-3/16	SUE211-35		3.9370	2.228	1-3/16	0.098	19/64	7/8	1-5/16	3.622	0.571	1/8	0.095	4.193	1/4-20	9700	6610	3.46
2-7/16	SUE212-39		4.3307	2.622	1-1/4	0.098	19/64	1	1-9/16	4.055	0.687	1/8	0.095	4.591	5/16-18	11800	8120	5.03
			Dimensions (mm)													Basic Load Rating (kgf.)		
20	SUE204		47	33.0	15.9	1.5	3.8	10.3	20.6	43.8	9.5	2.38	1.07	52.7		1310	680	0.64
25	SUE205		52	35.4	19.0	1.5	5.2	13.1	21.8	49.0	9.5	2.38	1.07	57.9	M4x0.7	1430	800	0.82
30	SUE206		62	39.8	22.2	1.5	5.6	15.9	22.2	55.5	9.5	3.18	1.65	67.7		2000	1150	1.04
35	SUE207		72	43.9	23.8	2.0	5.6	17.5	25.4	64.0	11.0	3.18	1.65	78.6		2640	1570	1.54
40	SUE208		80	50.2	27.8	2.0	6.4	19.0	30.2	68.0	11.0	3.18	1.65	86.6	M5x0.8	2990	1830	2.23
45	SUE209		85	50.2	27.8	2.0	6.4	19.0	30.2	74.0	11.0	3.18	1.65	91.6		3350	2090	2.45
50	SUE210		90	52.6	28.6	2.0	7.5	19.0	32.5	81.0	14.5	3.18	2.41	96.5	M6x1	3600	2370	2.87
55	SUE211		100	56.6	30.2	2.5	7.5	22.2	33.3	92.0	14.5	3.18	2.41	106.5	M6x1	4400	3000	3.46
60	SUE212		110	66.6	31.8	2.5	7.5	25.4	39.7	103.0	17.4	3.18	2.41	116.6	M8x1.25	5350	3700	5.03

INTERCHANGES: ER-K ER-T



**Set-Screw (120°) Locking
Wide Inner Ring
Steel Cage
AISI 52100 Steel
0°F ~ 212°F
Contact Seal and Slinger
Prelubricated / Relubricatable
Inch and Metric**

MEDIUM DUTY

Shaft Diam. (in.) d	AMI Unit #	List Price	Dimensions (in.)										Basic Load Rating (lbf.)		Weight (lb.)
			D	Bi	Be	r	n	m	G	ds(UNF)	T	W	Dynamic Cr	Static Cor	
1	UCX05-16		2.4409	1.500	0.748	0.059	0.626	0.874	0.197	1/4-28	0.201	1.594	4410	2540	0.82
1-1/8	UCX06-18		2.8346	1.689	0.787	0.059	0.689	1.000	0.236	5/16-24	0.228	1.890	5820	3460	1.01
1-3/16	UCX06-19														
1-1/4	UCX06-20														
1-1/4	UCX07-20		3.1496	1.937	0.827	0.079	0.748	1.189	0.315	5/16-24	0.244	2.087	6590	4020	1.63
1-3/8	UCX07-22														
1-7/16	UCX07-23														
1-1/2	UCX08-24		3.3465	1.937	0.866	0.079	0.748	1.189	0.315	5/16-24	0.256	2.256	7420	4610	1.76
1-5/8	UCX09-26														
1-11/16	UCX09-27														
1-3/4	UCX09-28		3.5433	2.031	0.906	0.079	0.748	1.283	0.354	3/8-24	0.256	2.480	7980	5220	2.03
1-7/8	UCX10-30														
1-15/16	UCX10-31														
2	UCX10-32		3.9370	2.189	0.945	0.079	0.874	1.315	0.354	3/8-24	0.287	2.756	9700	6610	2.67
2	UCX11-32														
2-3/16	UCX11-35														
2-1/4	UCX11-36		4.3307	2.563	1.024	0.098	1.000	1.563	0.394	3/8-24	0.303	3.031	11800	8120	3.79
2-3/8	UCX12-38														
2-7/16	UCX12-39														
2-1/2	UCX13-40		4.9213	2.937	1.142	0.098	1.189	1.748	0.472	7/16-20	0.343	3.425	14000	9900	5.14
2-11/16	UCX14-43														
2-3/4	UCX14-44														
2-15/16	UCX15-47		5.5118	3.252	1.260	0.098	1.311	1.941	0.472	7/16-20	0.378	3.878	16300	11900	7.10
3	UCX15-48														
3-3/16	UCX16-51														
3-1/4	UCX17-52		5.9055	3.374	1.339	0.118	1.343	2.031	0.472	7/16-20	0.413	4.134	18700	13900	8.40
3-7/16	UCX17-55														
3-1/2	UCX18-56														
3-15/16	UCX20-63		7.4803	4.626	1.654	0.138	1.937	2.689	0.630	5/8-18	0.512	5.217	30200	23600	19.92
4	UCX20-64														
			Dimensions (mm)										Basic Load Rating (kgf.)		
			D	Bi	Be	r	n	m	G	ds	T	W	Dynamic Cr	Static Cor	Weight (kg)
25	UCX05		62	38.1	19	1.5	15.9	22.2	5	M6x0.75	5.1	40.5	2000	1150	0.83
30	UCX06		72	42.9	20	1.5	17.5	25.4	6	M8x1	5.8	48	2640	1570	1.03
35	UCX07		80	49.2	21	2	19	30.2	8	M8x1	6.2	53	2990	1830	1.65
40	UCX08		85	49.2	22	2	19	30.2	8	M8x1	6.5	57.3	3350	2090	1.78
45	UCX09		90	51.6	23	2	19	32.6	9	M10x1.25	6.5	63	3600	2370	2.05
50	UCX10		100	55.6	24	2	22.2	33.4	9	M10x1.25	7.3	70	4400	3000	2.70
55	UCX11		110	65.1	26	2.5	25.4	39.7	10	M10x1.25	7.7	77	5350	3700	3.84
60	UCX12		120	65.1	27	2.5	25.4	39.7	10	M10x1.25	8.3	82.1	5850	4100	4.39
65	UCX13		125	74.6	29	2.5	30.2	44.4	12	M12x1.5	8.7	87	6350	4500	5.20
70	UCX14		130	77.8	30	2.5	33.3	44.5	12		9.2	91.5	6750	4900	5.73
75	UCX15		140	82.6	32	2.5	33.3	49.3	12	M12x1.5	9.6	98.5	7400	5400	7.18
80	UCX16		150	85.7	34	3	34.1	51.6	12		10.5	105	8500	6300	8.50
85	UCX17		160	96	36	3	39.7	56.3	12	M12x1.5	11.1	111.5	9750	7300	10.8
90	UCX18		170	104	38	3	42.9	61.1	14	M14x1.5	11.9	118	11100	8350	12.3
100	UCX20		190	117.5	42	3.5	49.2	68.3	16	M16x1.5	13	132.5	13700	10700	20.2

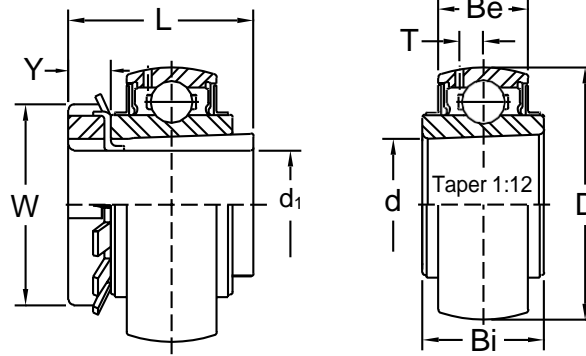
INTERCHANGES: VS-3 INS-SCM GYM1-KRRB B350 MB-35 YAR2 UCX 3-



BALL BEARINGS

UK X00+H

**Tapered Adapter Sleeve Locking
Wide Inner Ring
Steel Cage
AISI 52100 Steel
0°F ~ 212°F
Contact Seal and Slinger
Prelubricated / Relubricatable Inch
and Metric**

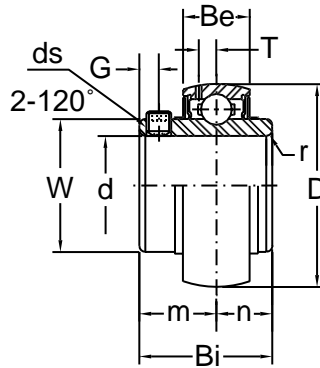


MEDIUM DUTY

Shaft Diam. (in.) d1	AMI Unit #	List Price	Dimensions (in.)								Basic Load Rating (lbf.)		Weight (lb.)
			D	L	d	Bi	Be	T	Y	W	Dynamic Cr	Static Cor	
3/4	UKX05+HE2305		2.4409	1.378	0.9843	1.024	0.748	0.201	0.315	1.496	4410	2540	0.83
13/16	UKX05+HA2305												
7/8	UKX06+HS2306		2.8346	1.496	1.1811	1.063	0.787	0.228	0.315	1.772	5820	3460	1.20
15/16	UKX06+HA2306												
1	UKX06+HE2306												
1-1/8	UKX07+HS2307		3.1496	1.693	1.3780	1.142	0.827	0.244	0.354	2.047	6590	4020	1.56
1-3/16	UKX07+HA2307												
1-1/4	UKX08+HE2308		3.3465	1.811	1.5748	1.181	0.866	0.256	0.394	2.283	7420	4610	1.81
1-5/16	UKX08+HA2308												
1-3/8	UKX08+HS2308												
1-7/16	UKX09+HA2309		3.5433	1.969	1.7717	1.220	0.906	0.256	0.433	2.559	7980	5220	2.10
1-1/2	UKX09+HE2309												
1-5/8	UKX09+HS2309												
1-11/16	UKX10+HA2310		3.9370	2.165	1.9685	1.299	0.945	0.287	0.472	2.756	9700	6610	2.72
1-3/4	UKX10+HE2310												
1-7/8	UKX11+HS2311		4.3307	2.323	2.1654	1.417	1.024	0.303	0.472	2.953	11800	8120	3.43
1-15/16	UKX11+HA2311												
2	UKX11+HE2311												
2-1/16	UKX12+HA2312		4.7244	2.441	2.3622	1.496	1.063	0.327	0.512	3.150	12900	9000	4.21
2-1/8	UKX12+HS2312												
2-3/16	UKX13+HA2313		4.9213	2.559	2.5591	1.575	1.142	0.343	0.551	3.346	14000	9900	4.66
2-1/4	UKX13+HE2313												
2-3/8	UKX13+HS2313												
2-7/16	UKX15+HA2315		5.5118	2.874	2.9528	1.732	1.260	0.378	0.591	3.858	16300	11900	7.25
2-1/2	UKX15+HE2315												
2-3/4	UKX16+HE2316		5.9055	3.071	3.1496	1.811	1.339	0.413	0.669	4.134	18700	13900	8.61
2-15/16	UKX17+HA2317		6.2992	3.228	3.3465	1.929	1.417	0.437	0.709	4.331	21500	16100	10.6
3	UKX17+HE2317												
3-1/8	UKX18+HS2318		6.6929	3.386	3.5433	2.047	1.496	0.469	0.709	4.724	24500	18400	11.4
3-7/16	UKX20+HA2320		7.4803	3.819	3.9370	2.283	1.654	0.512	0.787	5.118	30200	23600	18.1
3-1/2	UKX20+HE2320												

Shaft Diam. (mm)	AMI Unit #	List Price	Dimensions (mm)								Basic Load Rating (kgf.)		Weight (kg)
			D	L	d	Bi	Be	T	Y	W	Dynamic Cr	Static Cor	
20	UKX05+H2305		62	35	25	26	19	5.1	8	38	2000	1150	0.83
25	UKX06+H2306		72	38	30	27	20	5.8	8	45	2640	1570	1.20
30	UKX07+H2307		80	43	35	29	21	6.2	9	52	2990	1830	1.56
35	UKX08+H2308		85	46	40	30	22	6.5	10	58	3350	2090	1.81
40	UKX09+H2309		90	50	45	31	23	6.5	11	65	3600	2370	2.10
45	UKX10+H2310		100	55	50	33	24	7.3	12	70	4400	3000	2.72
50	UKX11+H2311		110	59	55	36	26	7.7	12	75	5350	3700	3.43
55	UKX12+H2312		120	62	60	38	27	8.3	13	80	5850	4100	4.21
60	UKX13+H2313		125	65	65	40	29	8.7	14	85	6350	4500	4.66
65	UKX15+H2315		140	73	75	44	32	9.6	15	98	7400	5400	7.25
70	UKX16+H2316		150	78	80	46	34	10.5	17	105	8500	6300	8.61
75	UKX17+H2317		160	82	85	49	36	11.1	18	110	9750	7300	10.6
80	UKX18+H2318		170	86	90	52	38	11.9	18	120	11100	8350	11.4
90	UKX20+H2320		190	97	100	58	42	13	20	130	13700	10700	18.1

INTERCHANGES: UKX



**Set-Screw (120°) Locking
Wide Inner Ring
Steel Cage
AISI 52100 Steel
0°F ~ 212°F
Contact Seal and Slinger
Prelubricated / Relubricatable
Inch and Metric**

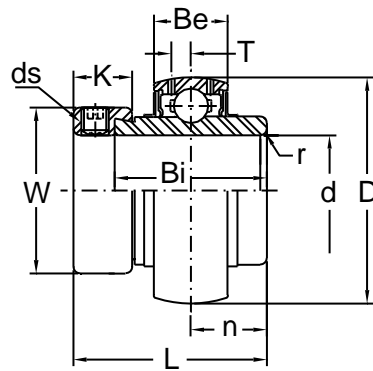
HEAVY DUTY

Shaft Diam. (in.) d	AMI Unit #	List Price	Dimensions (in.)										Basic Load Rating (lb.)		Weight (lb.)
			D	Bi	Be	r	n	m	G	ds(UNF)	T	W	Dynamic Cr	Static Cor	
1	UC305-16		2.4409	1.496	0.827	0.079	0.591	0.906	0.236	1/4-28	0.240	1.453	4780	2450	0.97
1-3/16	UC306-19		2.8346	1.693	0.906	0.079	0.669	1.024	0.236	1/4-28	0.264	1.772	6020	3370	1.23
1-1/4	UC307-20		3.1496	1.890	0.984	0.098	0.748	1.142	0.315	5/16-24	0.291	1.988	7530	4320	1.56
1-7/16	UC307-23		3.5433	2.047	1.063	0.098	0.748	1.299	0.394	3/8-24	0.323	2.205	9150	5380	2.20
1-1/2	UC308-24		3.9370	2.244	1.181	0.098	0.866	1.378	0.394	3/8-24	0.354	2.480	11570	6630	2.82
1-11/16	UC309-27		4.3307	2.402	1.260	0.118	0.866	1.535	0.472	7/16-20	0.394	2.776	13900	8600	3.64
1-3/4	UC309-28		4.7244	2.598	1.339	0.118	0.984	1.614	0.472	7/16-20	0.421	3.012	16100	10100	4.56
1-7/8	UC310-30		5.1181	2.795	1.417	0.138	1.024	1.772	0.472	1/2-20	0.453	3.248	18300	11700	5.71
1-15/16	UC310-31		5.5118	2.953	1.496	0.138	1.181	1.772	0.472	1/2-20	0.480	3.484	20800	13500	6.94
2	UC311-32		5.9055	3.071	1.575	0.138	1.299	1.772	0.472	1/2-20	0.512	3.748	23400	15200	8.44
2-3/16	UC311-35		6.2992	3.228	1.654	0.138	1.260	1.969	0.551	9/16-18	0.543	3.996	25600	17300	10.12
2-7/16	UC312-39		6.6929	3.386	1.732	0.138	1.339	2.047	0.551	9/16-18	0.571	4.252	27650	19400	11.90
2-1/2	UC313-40		7.0866	3.780	1.811	0.157	1.575	2.205	0.630	5/8-18	0.591	4.508	29700	21700	14.50
2-11/16	UC314-43		7.4803	3.780	1.890	0.157	1.575	2.205	0.630	5/8-18	0.626	4.764	32200	24000	16.18
2-3/4	UC314-44		7.8740	4.055	1.969	0.157	1.614	2.441	0.630	5/8-18	0.657	5.020	34400	26600	19.17
2-15/16	UC315-47		8.2677	4.252	2.126	0.157	1.654	2.598	0.709	3/4-16	0.709	5.335	39000	31500	23.80
3	UC315-48		8.6614	4.450	2.283	0.157	1.811	2.795	0.709	3/4-16	0.827	5.984	46100	40200	31.90
3-3/16	UC316-51		9.0551	4.606	2.362	0.157	1.811	2.795	0.709	3/4-16	0.827	5.984	46100	40200	31.90
3-1/4	UC317-52		9.4488	4.606	2.362	0.157	1.811	2.795	0.709	3/4-16	0.827	5.984	46100	40200	31.90
3-7/16	UC318-55		9.8425	4.606	2.362	0.157	1.811	2.795	0.709	3/4-16	0.827	5.984	46100	40200	31.90
3-1/2	UC318-56		10.2362	4.606	2.362	0.157	1.811	2.795	0.709	3/4-16	0.827	5.984	46100	40200	31.90
3-3/4	UC319-60		10.6299	4.606	2.362	0.157	1.811	2.795	0.709	3/4-16	0.827	5.984	46100	40200	31.90
3-15/16	UC320-63		11.0236	4.606	2.362	0.157	1.811	2.795	0.709	3/4-16	0.827	5.984	46100	40200	31.90
4	UC320-64		11.4173	4.606	2.362	0.157	1.811	2.795	0.709	3/4-16	0.827	5.984	46100	40200	31.90
4-7/16	UC322-71		11.8110	4.606	2.362	0.157	1.811	2.795	0.709	3/4-16	0.827	5.984	46100	40200	31.90
			Dimensions (mm)										Basic Load Rating (kgf.)		
25	UC305		62	38	21	2	15	23	6	M6x0.75	6.1	36.9	2170	1120	0.98
30	UC306		72	43	23	2	17	26	6	M6x0.75	6.7	45	2730	1530	1.25
35	UC307		80	48	25	2.5	19	29	8	M8x1	7.4	50.5	3400	1960	1.58
40	UC308		90	52	27	2.5	19	33	10	M10x1.25	8.2	56	4150	2440	2.23
45	UC309		100	57	30	2.5	22	35	10	M10x1.25	9	63	5250	3000	2.85
50	UC310		110	61	32	3	22	39	12	M12x1.5	10	70.5	6300	3900	3.68
55	UC311		120	66	34	3	25	41	12		10.7	76.5	7300	4600	4.62
60	UC312		130	71	36	3.5	26	45	12	M12x1.5	11.5	82.5	8300	5300	5.78
65	UC313		140	75	38	3.5	30	45	12		12.2	88.5	9450	6100	7.02
70	UC314		150	78	40	3.5	33	45	12	M12x1.5	13	95.2	10600	6930	8.54
75	UC315		160	82	42	3.5	32	50	14	M14x1.5	13.8	101.5	11600	7840	10.3
80	UC316		170	86	44	3.5	34	52	14	M14x1.5	14.5	108	12540	8800	12.1
85	UC317		180	96	46	4	40	56	16		15	114.5	13500	9800	14.7
90	UC318		190	96	48	4	40	56	16	M16x1.5	15.9	121	14600	10900	16.4
95	UC319		200	103	50	4	41	62	16		16.7	127.5	15600	12100	19.4
100	UC320		215	108	54	4	42	66	18		18	135.5	17700	14300	24.1
105	UC321		225	112	56	4	44	68	18	M18x1.5	19	142	18700	15600	27.2
110	UC322		240	117	60	4	46	71	18		21	152	20900	18230	31.9
120	UC324		260	126	64	4	51	75	18	M18x1.5	22	165	21100	18900	41.3
130	UC326		280	135	68	5	54	81	20	M20x1.5	23	178	23400	21900	51.3
140	UC328		300	145	73	5	59	86	20	M20x1.5	25	191.5	26000	25100	63.6

INTERCHANGES: UG3-L UC3



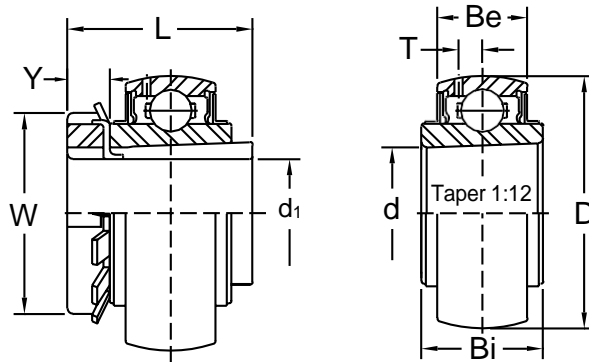
Eccentric Locking
Wide Inner Ring
Steel Cage
AISI 52100 Steel
0°F ~ 212°F
Contact Seal and Slinger
Prelubricated / Relubricatable
Inch and Metric



HEAVY DUTY

Shaft Diam. (in.) d	AMI Unit #	List Price	Dimensions (in.)										Basic Load Rating (lbf.)		Weight (lb.)
			D	L	Bi	Be	r	n	T	W	K	ds(UNF)	Dynamic Cr	Static Cor	
1-7/16	UG307-23		3.1496	2.031	1.500	0.984	0.098	0.720	0.291	2.150	0.689	3/8-24	7530	4320	1.60
1-1/2	UG308-24		3.5433	2.248	1.626	1.063	0.098	0.780	0.323	2.484	0.783	3/8-24	9150	5380	2.60
1-11/16	UG309-27		3.9370	2.311	1.689	1.181	0.098	0.780	0.354	2.740	0.783	3/8-24	11570	6630	3.20
1-15/16	UG310-31		4.3307	2.622	1.937	1.260	0.118	0.969	0.394	2.976	0.846	3/8-24	13900	8600	4.20
2-3/16	UG311-35		4.7244	2.874	2.189	1.339	0.118	1.094	0.421	3.252	0.874	7/16-20	16100	10100	5.20
2-7/16	UG312-39		5.1181	3.126	2.437	1.417	0.138	1.220	0.453	3.469	0.941	7/16-20	18300	11700	6.20
2-11/16	UG314-43		5.9055	3.626	2.689	1.575	0.138	1.342	0.512	3.984	1.189	9/16-18	23400	15300	10.0
2-15/16 3	UG315-47 UG315-48		6.2992	3.937	2.937	1.654	0.138	1.469	0.543	4.409	1.252	5/8-18	25600	17300	12.4 12.0
			Dimensions (mm)										Basic Load Rating (kgf.)		
45	UG309		100	58.7	42.9	30.0	2.5	19.8	9.0	69.6	19.9	M10x1.25	5250	3000	3.2
50	UG310		110	66.6	49.2	32.0	3.0	24.6	10.0	75.6	21.5	M10x1.25	6300	3900	4.0
55	UG311		120	73.0	55.6	34.0	3.0	27.8	10.7	82.6	22.2	M12x1.5	7300	4600	5.2
60	UG312		130	79.4	61.9	36.0	3.5	31.0	11.5	88.1	23.9	M12x1.5	8300	5300	6.4
70	UG314		150	92.1	68.3	40.0	3.5	34.1	13.0	101.2	30.2	M14x1.5	10600	6930	9.8
75	UG315		160	100.0	74.6	42.0	3.5	37.3	13.8	112.0	31.8	M16x1.5	11600	7840	12.2
90	UG318		190	115.9	87.3	48.0	4.0	43.6	15.9	132.7	35.0	M18x1.5	14600	10900	19.8

INTERCHANGES: GN-KRRB UEL3



Tapered Adapter Sleeve Locking
Wide Inner Ring
Steel Cage
AISI 52100 Steel
0°F ~ 212°F
Contact Seal and Slinger
Prelubricated / Relubricatable
Inch and Metric

HEAVY DUTY

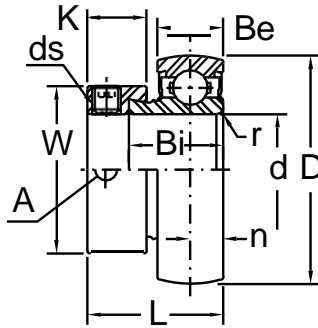
Shaft Diam. (in.) d1	AMI Unit #	List Price	Dimensions (in.)								Basic Load Rating (lb.)		Weight (lb.)
			D	L	d	Bi	Be	T	Y	W	Dynamic Cr	Static Cor	
3/4	UK305+HE2305		2.4409	1.378	0.9843	1.024	0.827	0.240	0.315	1.496	4780	2450	1.06
15/16	UK306+HA2306		2.8346	1.496	1.1811	1.142	0.906	0.264	0.315	1.772	6020	3370	1.30
1	UK306+HE2306												
1-1/8	UK307+HS2307		3.1496	1.693	1.3780	1.220	0.984	0.291	0.354	2.047	7530	4320	1.63
1-3/16	UK307+HA2307												
1-1/4	UK308+HE2308		3.5433	1.811	1.5748	1.339	1.063	0.323	0.394	2.283	9150	5380	2.23
1-5/16	UK308+HA2308												
1-3/8	UK308+HS2308												
1-7/16	UK309+HA2309		3.9370	1.969	1.7717	1.457	1.181	0.354	0.433	2.559	11570	6630	2.89
1-1/2	UK309+HE2309												
1-5/8	UK309+HS2309												
1-11/16	UK310+HA2310		4.3307	2.165	1.9685	1.575	1.260	0.394	0.472	2.756	13900	8600	3.70
1-3/4	UK310+HE2310												
1-7/8	UK311+HS2311		4.7244	2.323	2.1654	1.693	1.339	0.421	0.472	2.953	16100	10100	4.54
1-15/16	UK311+HA2311												
2	UK311+HE2311												
2-1/8	UK312+HS2312		5.1181	2.441	2.3622	1.811	1.417	0.453	0.512	3.150	18300	11700	5.58
2-3/16	UK313+HA2313		5.5118	2.559	2.5591	1.890	1.496	0.480	0.551	3.346	20800	13500	6.77
2-1/4	UK313+HE2313												
2-3/8	UK313+HS2313												
2-7/16	UK315+HA2315		6.2992	2.874	2.9528	2.126	1.654	0.543	0.591	3.858	25600	17300	10.45
2-1/2	UK315+HE2315												
2-11/16	UK316+HA2316		6.6929	3.071	3.1496	2.244	1.732	0.571	0.669	4.134	27650	19400	12.39
2-3/4	UK316+HE2316												
2-15/16	UK317+HA2317		7.0866	3.228	3.3465	2.362	1.811	0.591	0.709	4.331	29700	21700	14.46
3	UK317+HE2317												
3-1/8	UK318+HS2318		7.4803	3.386	3.5433	2.480	1.890	0.626	0.709	4.724	32200	24000	16.57
3-3/16	UK318+HA2318												
3-1/4	UK319+HE2319		7.8740	3.543	3.7402	2.598	1.969	0.657	0.748	4.921	34400	26600	19.22
3-7/16	UK320+HA2320		8.4646	3.819	3.9370	2.835	2.126	0.709	0.787	5.118	39000	31500	23.80
3-1/2	UK320+HE2320												
3-15/16	UK322+HA2322		9.4488	4.134	4.3307	3.150	2.362	0.827	0.827	5.709	46100	40200	31.74
4	UK322+HE2322												
			Dimensions (mm)								Basic Load Rating (kgf.)		
20	UK305+H2305		62	35	25	26	21	6.1	8	38	2170	1120	1.07
25	UK306+H2306		72	38	30	29	23	6.7	8	45	2730	1530	1.32
30	UK307+H2307		80	43	35	31	25	7.4	9	52	3400	1960	1.65
35	UK308+H2308		90	46	40	34	27	8.2	10	58	4150	2440	2.25
40	UK309+H2309		100	50	45	37	30	9.0	11	65	5250	3000	2.92
45	UK310+H2310		110	55	50	40	32	10.0	12	70	6300	3900	3.75
50	UK311+H2311		120	59	55	43	34	10.7	12	75	7300	4600	4.59
55	UK312+H2312		130	62	60	46	36	11.5	13	80	8300	5300	5.64
60	UK313+H2313		140	65	65	48	38	12.2	14	85	9450	6100	6.85
65	UK315+H2315		160	73	75	54	42	13.8	15	98	11600	7840	10.60
70	UK316+H2316		170	78	80	57	44	14.5	17	105	12540	8800	12.6
75	UK317+H2317		180	82	85	60	46	15.0	18	110	13500	9800	14.7
80	UK318+H2318		190	86	90	63	48	15.9	18	120	14600	10900	16.8
85	UK319+H2319		200	90	95	66	50	16.7	19	125	15600	12100	19.5
90	UK320+H2320		215	97	100	72	54	18.0	20	130	17700	14300	24.1
100	UK322+H2322		240	105	110	80	60	21.0	21	145	20900	18230	32.1
110	UK324+H2324		260	112	120	86	64	22.0	22	155	21100	18900	40.2
115	UK326+H2326		280	121	130	92	68	23.0	23	165	23400	21900	52.0
125	UK328+H2328		300	131	140	98	73	25.0	24	180	26000	25100	64.2

INTERCHANGES: UK3



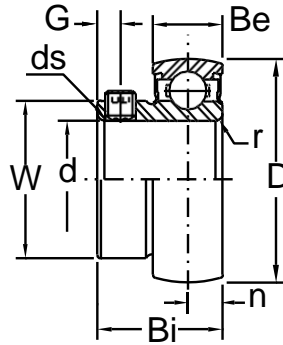
SILVER SERIES BALL BEARINGS U / URE / K / MU 000

Eccentric Locking
Extra Narrow Inner Ring
AISI 52100 Steel
0°F ~ 212°F
Contact Seal
Metric
URE Designates Cylindrical O.D.



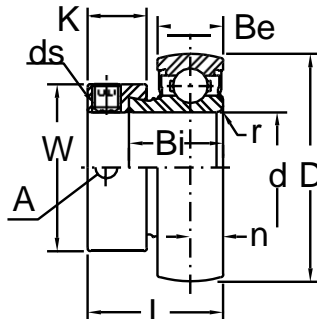
Shaft Diam. (mm)	AMI Unit #	List Price	Dimensions (mm)										Basic Load Rating (kgf.)		Weight (lb.)
			D	L	Bi	Be	r	n	K	W	A	ds	Dynamic Cr	Static Cor	
10	U000		26	17.5	11	8	0.5	4	8.5	17	3.5		470	200	0.07
12	U001		28	17.5	11	8	0.5	4	8.5	19	3.5	M4x0.7	520	245	0.08
15	U002		32	18.5	12	9	0.5	4.5	8.5	22	3.5		570	290	0.11
17	U003		35	20.5	13.5	10	0.5	5	9.5	25	3.5	M4x0.7	610	335	0.14
20	U004		42	24.5	16.5	12	1	6	11	30	5	M5x0.8	955	515	0.23
25	U005		47	25.5	17.5	12	1	6	12	36	5	M5x0.8	1030	595	0.30
30	U006		55	26.5	18.5	13	1.5	6.5	12	42	5	M5x0.8	1350	845	0.42
35	U007		62	29.5	20	14	1.5	7	13.5	48	5	M6x0.75	1625	1050	0.56
20 3/4	URE004 URE004-12		42	24.5	16.5	12	1	6	11	30	5	M5x0.8	955	515	0.23

Set-Screw Locking
Extra Narrow Inner Ring
AISI 52100 Steel
0°F ~ 212°F
Contact Seal
Metric



Shaft Diam. (mm)	AMI Unit #	List Price	Dimensions (mm)							Basic Load Rating (kgf.)		Weight (lb.)	
			D	Bi	Be	r	n	G	W	ds	Dynamic Cr		Static Cor
10	K000		26	14	8	0.5	4	3	14.75	M3x0.35	470	200	0.05
12	K001		28	14.5	8	0.5	4	3	17.35	M3x0.35	520	245	0.06
15	K002		32	16.5	9	0.5	4.5	3.5	20.02	M4x0.50	570	290	0.10
17	K003		35	17.5	10	0.5	5	3.5	23.10	M4x0.50	610	335	0.11
20	K004		42	21	12	1	6	4	27.00	M5x0.50	955	515	0.19
25	K005		47	22.5	12	1	6	4.5	31.70	M5x0.50	1030	595	0.22
30	K006		55	24.5	13	1.5	6.5	5	38.00	M5x0.50	1350	845	0.32

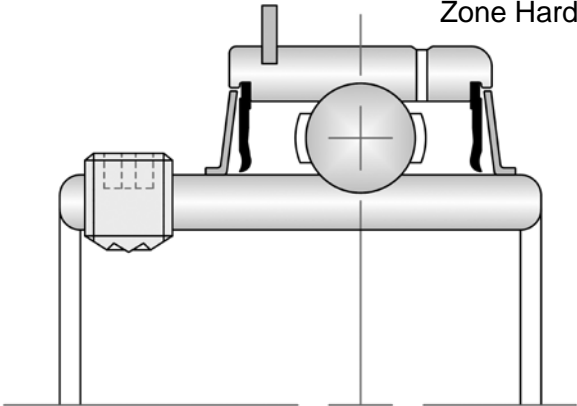
Eccentric Locking
Extra Narrow Inner Ring
440C Stainless Steel Bearing
0°F ~ 212°F
Contact Seal
Metric



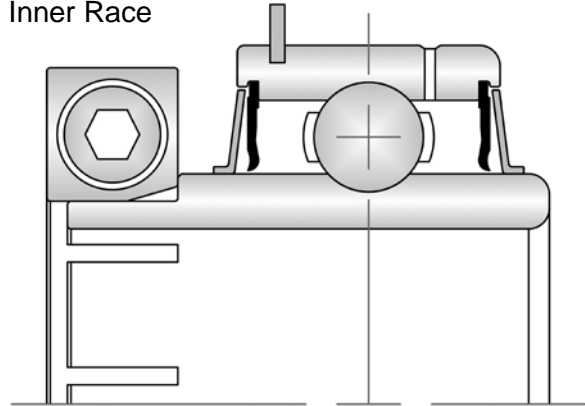
Shaft Diam. (mm)	AMI Unit #	List Price	Dimensions (mm)										Basic Load Rating (kgf.)		Weight (lb.)
			D	L	Bi	Be	r	n	k	W	A	ds	Dynamic Cr	Static Cor	
10	MU000		26	17.5	11	8	0.5	4	8.5	17	3.5		400	160	0.07
12	MU001		28	17.5	11	8	0.5	4	8.5	19	3.5	M4x0.7	440	195	0.08
15	MU002		32	18.5	12	9	0.5	4.5	8.5	22	3.5		485	230	0.11
17	MU003		35	20.5	13.5	10	0.5	5	9.5	25	3.5	M4x0.7	520	270	0.14
20	MU004		42	24.5	16.5	12	1	6	11	30	5	M5x0.8	810	410	0.23
25	MU005		47	25.5	17.5	12	1	6	12	36	5	M5x0.8	875	475	0.30
30	MU006		55	26.5	18.5	13	1.5	6.5	12	42	5	M5x0.8	1150	675	0.42

“FS” Standard Features

- Set Screw (SER) or Accu-Loc (SUE)
- Bore Sizes: 1/2” to 2-7/16” (20 to 40mm)
- Low Drag/Non Contact Seal
- Oil Lubrication
- Stamped Steel Riveted Retainer
- 52100 Chrome Steel or 440C Stainless
- Zone Hardened Wide Inner Race



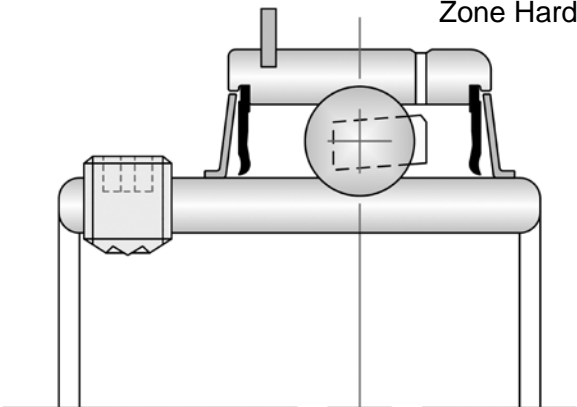
SER205-16FS



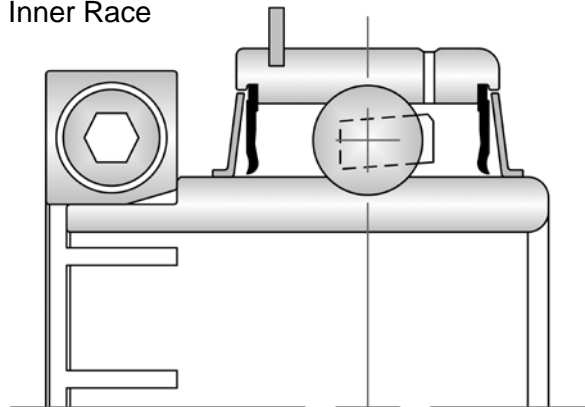
SUE205-16FS

“FSX” Standard Features

- Set Screw (SER) or Accu-Loc (SUE)
- Bore Sizes: 1/2” to 2-7/16” (20 to 40mm)
- Low Drag/Non Contact Seal
- Oil Lubrication
- Reinforced, Stabilized Nylon Retainer
- 52100 Chrome Steel or 440C Stainless
- Zone Hardened Wide Inner Race



SER205-16FSX



SUE205-16FSX

Call for availability

FREE SPINNING

Application Examples

- Packaging
- Printing Machinery
- In Line Systems
- Conveyor Equipment

Options

- Low-Torque Grease instead of Oil
- We can make most bearing units Free Spinning
- Contact Us for Price and Availability

For critical applications like pulp and paper converting, printing, and packaging, expensive downtime results from materials tearing due to excessive torque and vibration.

The path of the materials through these machines is very complex, composed of hundreds of rolls where many different processes are applied, such as printing, dyeing, curing, drying, folding, cutting, perforating, or finishing of some type.

These materials can be very sensitive and typically have low strength. If rotational torque and vibration are excessive, materials can tear, mis-feed, or jam, creating costly down-time.

AMI’s free spinning bearings are engineered and designed to excel in these applications. Precise raceway curvatures combined with superb surface finishes, help to provide a low coefficient of friction. To further reduce rotational torque or drag, these bearings are lubricated with a low viscosity oil, or light consistency grease.

Finally, because the bearing seal is a key factor to the success of a bearing, AMI remains a market leader when it comes to the sealing arrangements.

Our free spinning bearings utilize a formed metal slinger in conjunction with a modified Buna-Nitrile seal forming an effective labyrinth design. Although there are two seals involved, there is actually no contact of the sealing elements with the rotating bearing components. Yet the unique design does an excellent job of keeping out contamination, while yielding the lowest possible rotational torque.

STARTING TORQUE CHART (gf•cm)			
SER/SUE “FS”	Avg	Max	Min
201-204	30	45	25
205	40	60	30
206	60	90	45
207	80	120	60
208	100	150	75
209	120	180	90
210	140	200	105
211	160	210	120
212	180	230	135

INTERCHANGE BY MANUFACTURER			
BORE	AMI Part #	MB	SealMaster
1 (in.)	SUE205-16FS SUE205-16FSX	ER-16MKFF	ER-16T XLO
25 (mm)	SUE205FS SUE205FSX	—	ER-205T XLO

High-Temperature Grease Alone-Does Not Make a High-Temperature Bearing!

HIGH TEMPERATURE GREASES

The Lubrication! This is what some bearing manufacturers consider to be the only difference between a standard and High-Temp insert. The use of High-Temperature grease alone does not create a High-Temperature bearing insert. For AMI it is one of the many important elements that make up a true High-Temp bearing. Listed below are the greases used in AMI's C4HR5 and C4HR23 bearing units:

C4HR5 = Max bearing operating temp (392°F) Yuken Super-Lube No.3/Oil Research Industrial, LTD. *soap based (compound) *max. operating temperature of the grease (+392°F)

C4HR23 = Max bearing operating temp (+450°F) Noxlub BF4026/Nok Klubber Co., LTD. *fluorinated base (proprietary mixture) *max. operating temperature of the grease (+500°F)

INTERNAL CLEARANCE

In the manufacturing of ball bearings, it is a standard practice for AMI to assemble its rings and balls with a specified internal clearance. In the case of High-Temp inserts, internal clearance is even more important in compensating for thermal expansion of bearings, shafts and housings. AMI uses internal clearance standard of (C4) on all of its High-Temp inserts.

SILICONE RUBBER SEALS

Most standard units are supplied with a nitrile rubber seal. Nitrile rubber is an excellent seal at temperatures ranging from 0 to 212 degrees F. Soon after that temperature, nitrile rubber starts to breakdown... Leaving no sealing element to retain the High-Temp lubrication. **SILICONE** seals have excellent temperature stability, exceptional release from sticking, resistance to aging, ozone, sunlight and outstanding water repellence. The use of **SILICONE** seals insures that the High-Temp lube stays where it belongs... in the bearing!

ZINC ANODIZED SLINGER

In order to allow the silicone to properly do its job as a seal, AMI uses a special **ZINC** anodized slinger to protect it. The purpose of a slinger is not only to protect the seal, but also to provide the first line of defense for the balls and retainer against contaminants. Using a standard cold rolled steel slinger in a High-Temp application may initially provide protection, but quite possibly corrode and lead to premature bearing failure. AMI's process of **ZINC** anodization produces a slinger with two key attributes... Heat and Abrasion Resistance. A resistance that will maintain its properties well past the operating temperature of the bearings.

High-Temperature Units (up to 400 °F)		Pillow Block	4 Bolt, 2 Bolt Flange Units	Take-Up Units	Tap Base Units, 3 Bolt Flange Bracket Units	Piloted Flange Units
		UCP200C4HR5	UCF200C4HR5 UCFL200C4HR5	UCST200C4HR5	UCTB200C4HR5 UCFB200C4HR5	UCFCS200C4HR5 UCFCF200C4HR5
AMI Part #	AVAILABLE SIZES	PRICE	PRICE	PRICE	PRICE	PRICE
201~204	12mm, 15mm, 17mm, 20mm, 1/2"~3/4"	82.30	83.10	89.90	99.00	-
205	25mm, 7/8"~1"	94.70	95.90	107.60	111.70	-
206	30mm, 1-1/8"~1-1/4"	113.60	114.60	133.00	153.90	123.60
207	35mm, 1-1/4"~1-7/16"	135.40	138.10	164.30	176.90	148.00
208	40mm, 1-1/2"	159.30	162.50	195.10	198.20	175.00
209	45mm, 1-5/8"~1-3/4"	179.20	182.50	220.70	217.00	200.40
210	50mm, 1-7/8"~2"	205.30	204.30	273.80	250.40	218.50
211	55mm, 2"~2-3/16"	262.80	265.30	356.60	-	299.90
212	60mm, 2-1/4"~2-7/16"	331.40	329.30	450.60	-	358.00
213	65mm, 2-1/2"	397.80	397.80	560.80	-	414.10
214	70mm, 2-11/16"~2-3/4"	465.60	465.60	-	-	539.80
215	75mm, 2-15/16"~3"	534.20	534.20	-	-	656.50
216	80mm	633.90	633.90	-	-	731.40
217	85mm	769.40	769.40	-	-	963.90

High-Temperature Units (up to 450 °F)		Pillow Block	4 Bolt, 2 Bolt Flange Units	Take-Up Units	Tap Base Units, 3 Bolt Flange Bracket Units	Piloted Flange Units
		UCP200C4HR23	UCF200C4HR23 UCFL200C4HR23	UCST200C4HR23	UCTB200C4HR23 UCFB200C4HR23	UCFCS200C4HR23 UCFCF200C4HR23
AMI Part #	AVAILABLE SIZES	PRICE	PRICE	PRICE	PRICE	PRICE
201~204	12mm, 15mm, 17mm, 20mm, 1/2"~3/4"	149.10	149.90	156.70	165.90	-
205	25mm, 7/8"~1"	173.20	174.40	186.20	190.20	-
206	30mm, 1-1/8"~1-1/4"	206.20	207.20	225.50	246.40	216.10
207	35mm, 1-1/4"~1-7/16"	248.10	250.90	277.10	289.40	260.80
208	40mm, 1-1/2"	291.60	294.90	327.40	330.50	307.30
209	45mm, 1-5/8"~1-3/4"	328.30	331.20	369.70	366.10	349.40
210	50mm, 1-7/8"~2"	370.20	369.20	438.70	415.30	383.40
211	55mm, 2"~2-3/16"	478.80	480.30	572.60	-	515.90
212	60mm, 2-1/4"~2-7/16"	603.90	601.80	745.10	-	630.50
213	65mm, 2-1/2"	721.80	721.80	884.90	-	738.20
214	70mm, 2-11/16"~2-3/4"	916.90	973.40	-	-	991.10
215	75mm, 2-15/16"~3"	1059.30	1135.10	-	-	1181.60

High-Temperature Bearing Inserts		UC200C4HR5 (up to 400 °F)	UC200C4HR23 (up to 450 °F)
AMI Part #	AVAILABLE SIZES	PRICE	PRICE
201~204	12mm, 15mm, 17mm, 20mm, 1/2"~3/4"	66.90	133.70
205	25mm, 7/8"~1"	78.60	157.10
206	30mm, 1-1/8"~1-1/4"	92.60	185.10
207	35mm, 1-1/4"~1-7/16"	112.80	225.50
208	40mm, 1-1/2"	132.30	264.70
209	45mm, 1-5/8"~1-3/4"	149.00	298.10
210	50mm, 1-7/8"~2"	164.90	329.80
211	55mm, 2"~2-3/16"	216.00	432.00
212	60mm, 2-1/4"~2-7/16"	272.50	545.00
213	65mm, 2-1/2"	324.00	648.10
214	70mm, 2-11/16"~2-3/4"	376.10	827.40
215	75mm, 2-15/16"~3"	437.60	962.70
216	80mm	509.80	1121.50
217	85mm, 3-1/4"	614.90	1352.70

NOTE: Medium Duty and Heavy Duty are also available - Call for more information.

MATERIALS

Bearing Materials:

Because of repetitive stresses to the rolling contact areas within a bearing, surface fatigue will occur after some duration of operation depending upon the operating conditions. To maximize to the useful life of a bearing by delaying the onset of material fatigue, the highest possible quality materials are used in bearing production with the following properties:

- High Levels of Hardness
- High Rolling Contact Fatigue Resistance
- Good Wear Resistance
- Good Mechanical Strength

The standard material for AMI bearing rings and rolling elements is vacuum-degassed, high-carbon, chrome bearing steel. For applications that operate in wash down or corrosive environments, stainless steel is used.

Table 1

Bearing Rings and Balls:	C	Si	Mn	P	S	Cr	Mo
SUJ2 (US Equivalent AISI 52100)	0.95 ~ 1.10	0.15 ~ 0.35	≤ 0.50	≤ 0.025	≤ 0.025	1.30 ~ 1.60	≤ 0.08
SUS440C Stainless Steel	0.95 ~ 1.20	≤ 1.0	≤ 1.0	≤ 0.040	≤ 0.030	16.0 ~ 18.0	≤ 0.75

Additionally we offer our bearings made with SUJ2 steel that are coated with black oxide, zinc, or Kanigen to impart additional corrosion resistance. Contact AMI for additional information on these coatings and their proper application.

Housing Materials:

Gray Iron

Our bearing housings are one-piece solid cast iron with a minimum tensile strength of 25,000 psi. They are designed to be able to accommodate the full dynamic and static loading of the bearing inserts they are designed to incorporate. Most cast housings are available with Nickel Plating to impart some corrosion resistance.

Ductile/Malleable Iron

For applications requiring additional strength, Ductile/Malleable Iron is available with a minimum strength of 40,000 psi. These should be requested for any application involving shock or impact loading.

Stamped Steel

We offer a wide variety of stamped steel housings for light duty applications, with the advantage of ball bearing construction in an economical low cost unit.

Thermoplastic and Stainless Steel

We also offer our housings made with Polybutylene Terephthalate Thermoplastic (PBT) and Stainless Steel. These products are featured in our "Corrosion Protection Bearing Units" catalog.

TOLERANCES

Inner Bearing Ring Bore Tolerances:

Table 2

Nominal Bore Diameter				Tolerance		
Over		Including		Minimum	Maximum	
in.	mm	in.	mm		in.	mm
0.3937	10	0.7087	18	0	+0.0006	+0.015
0.7087	18	1.2500	31.75	0	+0.0007	+0.018
1.2500	31.75	2.0000	50.8	0	+0.0008	+0.021
2.0000	50.8	3.1496	80	0	+0.0009	+0.024
3.1496	80	4.7244	120	0	+0.0011	+0.028
4.7244	120	7.0866	180	0	+0.0013	+0.033

Bearing Housing Spherical Bore Diameter Tolerances:

The standard spherical inside diameter of AMI Bearing Housings is known as a “J7” fit. The dimensional tolerance on spherical inside diameters of housings are classified into an “H7” for clearance fit, “K7” for interference fit, and “J7” for intermediate fit between “H7” and “K7”.

Radial Internal Clearance:

AMI uses “C0” radial internal clearance as a standard for all of our insert bearings (-4° to 212°F) AMI offers a wide range of internal clearance ranges for cold and high temperature applications.

Recommended Shaft Tolerances:

Table 3

Inch Size Shafting	Metric Size Shafting
Shaft Diameter up to 1-15/16” Nominal to -0.0005”	Shaft Diameter up to 45 mm Nominal to -0.013 mm
Shaft Diameters 2” to 4-7/16” Nominal to -0.0010”	Shaft Diameters 50 mm to 140 mm Nominal to -0.025 mm

Recommended Housing Bore Tolerances for SUE/SER Bearing Types:

Table 4

AMI Bearing #	Dimension in Inches (Millimeters)									
	O.D. of Bearings		Stationary Housing				Rotating Housing			
	Diameters		Diameters		Resultant Fit		Diameters		Resultant Fit	
	Max	Min	Max	Min	Loose	Tight	Min	Max	Loose	Tight
SUE/SER 204	1.8504 (47.000)	1.8500 (46.989)	1.8503 (46.997)	1.8510 (47.014)	0.0010 (0.025)	0.0001 (0.003)	1.8498 (46.985)	1.8505 (47.002)	0.0005 (0.013)	0.0006 (0.015)
SUE/SER 205	2.0472 (52.000)	2.0467 (51.987)	2.0471 (51.997)	2.0477 (52.012)	0.0010 (0.025)	0.0001 (0.003)	2.0466 (51.985)	2.0472 (52.00)	0.0005 (0.013)	0.0006 (0.015)
SUE/SER 206	2.4409 (62.000)	2.4404 (61.987)	2.4408 (61.997)	2.4414 (62.012)	0.0010 (0.025)	0.0001 (0.003)	2.4403 (61.985)	2.4409 (62.000)	0.0005 (0.013)	0.0006 (0.015)
SUE/SER 207	2.8346 (72.000)	2.8341 (71.987)	2.8345 (71.997)	2.8351 (72.012)	0.0010 (0.025)	0.0001 (0.003)	2.8340 (71.985)	2.8346 (72.000)	0.0005 (0.013)	0.0006 (0.015)
SUE/SER 208	3.1496 (80.000)	3.1491 (79.987)	3.1495 (79.997)	3.1501 (80.012)	0.0010 (0.025)	0.0001 (0.003)	3.1490 (79.985)	3.1496 (80.000)	0.0005 (0.013)	0.0006 (0.015)
SUE/SER 209	3.3465 (85.000)	3.3459 (84.985)	3.3464 (84.997)	3.3472 (85.018)	0.0013 (0.033)	0.0001 (0.003)	3.3458 (84.982)	3.3466 (85.003)	0.0007 (0.018)	0.0007 (0.018)
SUE/SER 210	3.5433 (90.000)	3.5427 (89.985)	3.5432 (89.997)	3.5440 (90.018)	0.0013 (0.033)	0.0001 (0.003)	3.5426 (89.982)	3.5434 (90.003)	0.0007 (0.018)	0.0007 (0.018)
SUE/SER 211	3.9370 (100.000)	3.9364 (99.985)	3.9369 (99.997)	3.9377 (100.018)	0.0013 (0.033)	0.0001 (0.003)	3.9363 (99.982)	3.9371 (100.003)	0.0007 (0.018)	0.0007 (0.018)
SUE/SER 212	4.3307 (110.000)	4.3301 (109.985)	4.3306 (109.997)	4.3314 (110.018)	0.0013 (0.033)	0.0001 (0.003)	4.3300 (109.982)	4.3308 (110.003)	0.0007 (0.018)	0.0007 (0.018)

BEARING MOUNTING

Set-Screw Locking:

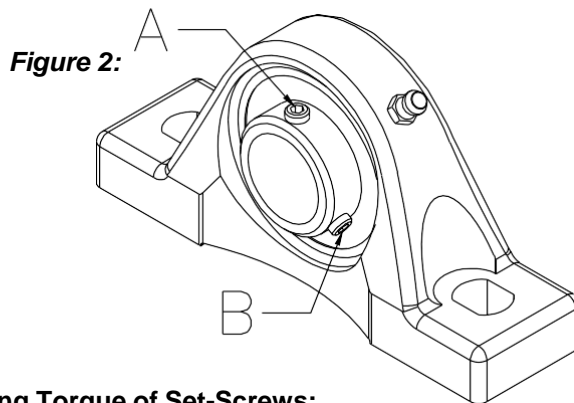
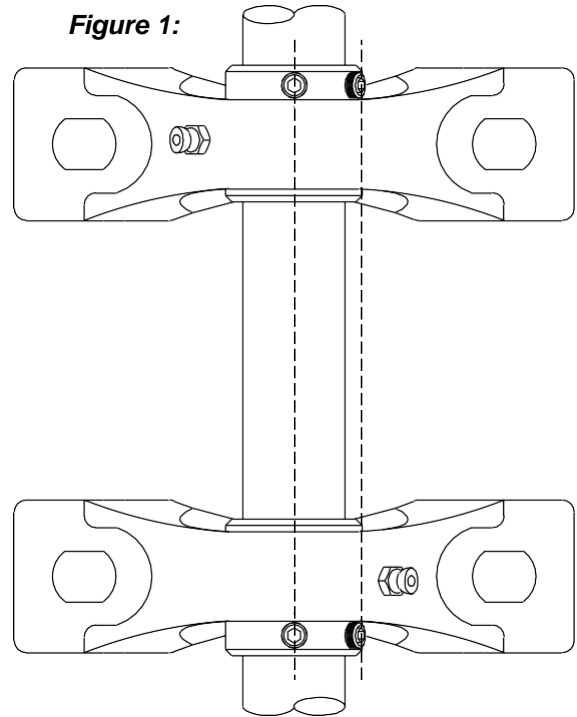
1. Inspect the Shaft
 - Measure the shaft to ensure it is within recommended tolerances per Table 3 on page 133:
 - Check for any nicks or burrs that might prevent the bearing from sliding on the shaft easily
 - Clean the mounting surface, then apply a film of light weight oil

2. Place the bearing on the shaft
 - Do not hammer the bearing onto the shaft

3. Bolt the housing to the mounting surface
 - The bearing and shaft must be aligned within 2°
 - Rotate the shaft to ensure it rotates smooth and freely
 - It is expected that plain washers will be used under mounting bolt heads to span the slot width

4. Align the setscrews of the bearings at both ends of the shaft
 - See Figure 1

5. Alternate Tightening of Setscrews
 - Tighten set screw “A” half of the recommended tightening torque (Figure 2)
 - Tighten set screw “B” all the way to the recommended tightening torque (Figure 2) per Table 5
 - Go back to set screw “A” and tighten it all the way to the recommended tightening torque with a variable torque wrench per Table 5



Recommended Tightening Torque of Set-Screws:

Table 5

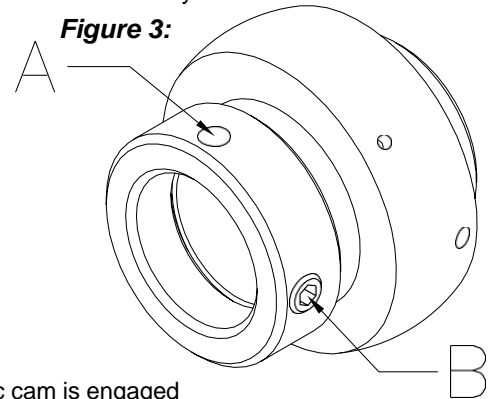
Applicable Bearing #				Recommended Tightening Torque (in-lb)	
				zone hardened inner ring	through hardened inner ring
			B1-B3		21
			B4	22	
MUC201-MUC206	UC201-UC203	UC305-UC306	UCX05		35
	UC204-UC206			B5-B6	43
MUC207-MUC209		UC307	UCX06-UCX08		74
	UC207-UC209			B7-B8	104
MUC210-MUC213		UC308-UC309	UCX09-UCX12		143
	UC210-UC213				208
	UC217-UC218	UC310-UC316	UCX13-UCX18		247
	UC214-UC216			347	
		UC317-UC324	UCX20		590
		UC326-UC328			998

Reference Through-Hardened Tightening Torque Specifications for Stainless Steel Inserts

BEARING MOUNTING (continued)

Eccentric Locking Collar:

1. Inspect the Shaft
 - Measure the shaft to ensure it is within recommended tolerances per Table 3 on page 133:
 - Check for any nicks or burrs that might prevent the bearing from sliding on the shaft easily
 - Clean the mounting surface, then apply a film of light weight oil
2. Place the bearing on the shaft
 - Do not hammer the bearing onto the shaft
3. Bolt the housing to the mounting surface
 - The bearing and shaft must be aligned within 2°
 - Rotate the shaft to ensure it rotates smooth and freely
 - It is expected that plain washers will be used under mounting bolt heads to span the slot width
4. Fasten the unit to the shaft
 - Place the eccentric locking collar on the track of the inner bearing ring
 - Rotate the collar by hand **in the direction of rotation** until the eccentric cam is engaged
 - Insert a drift pin or straight punch in the hole on the O.D. of the collar "A" and strike with a small hammer to positively engage the collar
 - Tighten the set screw "B" to the recommended tightening torque per Table 6 to hold the collar in the engaged position



Recommended Tightening Torque of Eccentric Locking Collar Set-Screws:

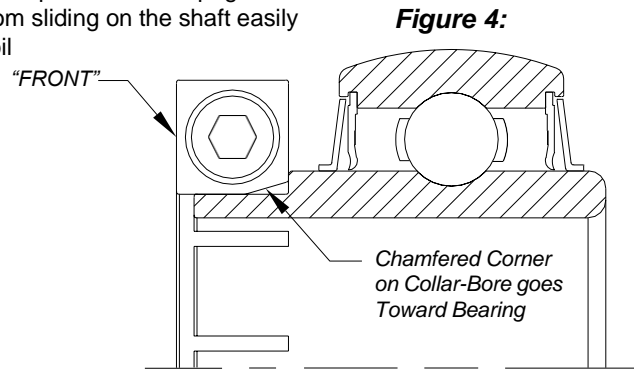
Table 6

Applicable Bearing #			Recommended Tightening Torque (in-lb)
UG204~UG205	KH201~KH205	KHR201~KHR205	43
UG206	KH206	KHR206	104
UG207~UG210	KH207~KH210	KHR207~KHR210	208
UG211~UG212	KH11	KHR11	234

BEARING MOUNTING (continued)

Accu-Loc Concentric Locking Collar:

1. Inspect the Shaft
 - Measure the shaft to ensure it is within recommended tolerances per Table 3 on page 133:
 - Check for any nicks or burrs that might prevent the bearing from sliding on the shaft easily
 - Clean the mounting surface, then apply a film of light weight oil
2. Place the bearing on the shaft
 - Do not hammer the bearing onto the shaft
3. Bolt the housing to the mounting surface
 - The bearing and shaft must be aligned within 2°
 - Rotate the shaft to ensure it rotates smooth and freely
 - It is expected that plain washers will be used under mounting bolt heads to span the slot width
4. Fasten the unit to the shaft
 - Place the locking collar on the tangs of the inner bearing ring with the chamfered corner on the bore of the collar toward the bearing. The collar is stamped with the word "FRONT" this should be facing away from the bearing and readable to the installer.
 - Tighten the capscrew to the recommended tightening torque per Table 7 using a variable torque wrench



Recommended Tightening Torque of Accu-Loc Collar Capscrews:

Table 7

Applicable Bearing #	Recommended Tightening Torque (in-lb)
UE204~UE206	70
UE207~UE209	90
UE210~UE211	180
UE212	400

BEARING MOUNTING (continued)**Adapter Sleeve:**

Bearing units with adapter sleeves permit wider shaft tolerances and can be used in applications where vibration and shock is heavy, as this locking device has superior holding power over all other types.

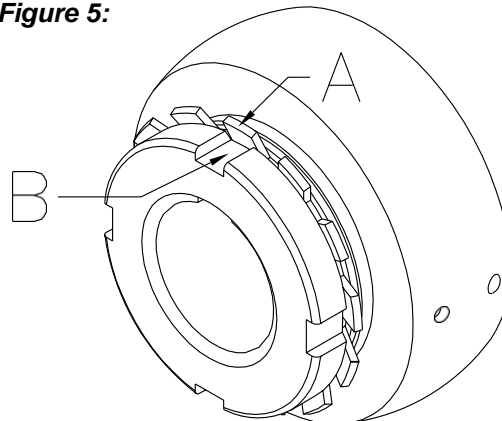
1. Inspect the Shaft
 - Measure the shaft to ensure it is within recommended tolerances per Table 8:

Recommended Shaft Tolerances for Bearing with Adapter Sleeves:

Table 8

Inch Size Shafting	Metric Size Shafting
Shaft Diameter up to 1-15/16" Nominal to -0.0020"	Shaft Diameter up to 45 mm Nominal to -0.050 mm
Shaft Diameters 2" to 4-7/16" Nominal to -0.0030"	Shaft Diameters 50 mm to 140 mm Nominal to -0.075 mm

- Check for any nicks or burrs that might prevent the bearing from sliding on the shaft easily
 - Clean the mounting surface, then apply a film of light weight oil
2. Mount the adapter sleeve
 - Slide the adapter sleeve onto the shaft with the threads on the sleeve facing the outboard side
 - Position the sleeve at the approximate location of the bearing centerline
 3. Mount the bearing
 - Apply a light coating of oil on the outside diameter of the sleeve and threads
 - Starting with the large end of the bearing bore, slide the bearing onto the adapter sleeve so that the taper of the bearing matches the taper of the sleeve
 4. Bolt the housing to the mounting surface
 - The bearing and shaft must be aligned within 2°
 - Rotate the shaft to ensure it rotates smooth and freely
 - It is expected that plain washers will be used under mounting bolt heads to span the slot width
 5. Install the Locknut and Lockwasher
 - Slide the lockwasher on the adapter sleeve with the inner prong of the lockwasher pointing toward the bearing
 - Install the locknut on the threads of the adapter sleeve with the chamfered face toward the bearing
 - Tighten the locknut using a spanner wrench to the recommend torque specifications per Table 9
 - Find a lockwasher tang "A" nearest to one of the slots "B" in the locknut. If a slot does not line up with one of the tangs on the lockwasher, back off the locknut until one does
 - Bend the tang of the lockwasher into the slot of the locknut. This will retain the correct position of the locknut

Figure 5:

ADAPTER SLEEVE LOCKNUT RECOMMENDED TIGHTENING TORQUE

Table 9

Applicable Bearing # (Normal Duty)	Normal Load Application (ft-lbs)		Heavy Load Application (ft-lbs)	
	min	max	min	max
UK205	11	22	14	29
UK206	14	29	22	43
UK207	22	43	36	72
UK208	29	58	43	87
UK209	29	58	43	87
UK210	36	72	54	108
UK211	51	101	76	152
UK212	72	145	105	210
UK213	80	159	119	239
UK215	94	188	134	268
UK216	116	231	170	340
UK217	148	297	217	434
UK218	177	354	260	521

Applicable Bearing # (Medium Duty)	Normal Load Application (ft-lbs)		Heavy Load Application (ft-lbs)	
	min	max	min	max
UKX05	14	29	25	51
UKX06	25	51	36	72
UKX07	29	58	43	87
UKX08	36	72	54	108
UKX09	43	87	65	130
UKX10	58	116	87	174
UKX11	76	152	112	224
UKX12	87	174	130	260
UKX13	119	239	174	347
UKX15	141	282	203	405
UKX16	166	333	246	492
UKX17	203	405	304	608
UKX18	231	463	347	694
UKX20	333	665	492	984

Applicable Bearing # (Heavy Duty)	Normal Load Application (ft-lbs)		Heavy Load Application (ft-lbs)	
	min	max	min	max
UK305	14	29	22	43
UK306	22	43	33	65
UK307	29	58	43	87
UK308	40	80	58	116
UK309	54	108	80	159
UK310	72	145	112	224
UK311	90	181	130	260
UK312	112	224	166	333
UK313	130	260	195	391
UK315	184	369	260	521
UK316	217	434	325	651
UK317	260	521	383	767
UK318	297	593	448	897
UK319	347	694	521	1042
UK320	434	868	600	1201
UK322	448	897	890	1779
UK324	593	1186	1049	2098
UK326	723	1447	1302	2604
UK328	1049	2098	1555	3110

LUBRICATION

Proper lubrication is essential for adequate bearing life! A bearing cannot survive without it.

AMI Standard Lubricants:

AMI Bearings have an initial fill of lubricant when we manufacture them, therefore it is not necessary to lubricate prior to their initial operation. Below is a list of our standard used lubricants and their basic physical properties.

Table 10

APPLICATION	General Purpose	High Temperature		Cold Temperature	Free Spinning		Food Grade
PRODUCT NAME	Shell Alvania #3	Yuken Super-Lube #3	Kluber Noxlub BF4026	Shell AeroShell #7	Mobil Velocite 10	Amsoil AM-1	Citgo Clarion HTEP 2
PHYSICAL PROPERTY							
Lubricant Type	Grease	Grease	Grease	Grease	Oil	Grease	Grease
Color	Amber	-	White	Amber	-	Red	Off-White
NLGI Grade	3	3	2	2	N/A	1	2
Thickener Type	Lithium	Calcium Complex	PTFE	Microgel	N/A	Lithium Complex	Aluminum Complex
Base Oil Type	Mineral Oil	Mineral Oil	PFPE	Synthetic Diester	Mineral Oil	PAO + Ester	Mineral Oil
Base Oil Viscosity @ 40°C	98 cSt	-	390 cSt	10.3 cSt	22 cSt	130 cSt	954 cSt
Base Oil Viscosity @ 100°C	9.4 cSt	-	39 cSt	3.1 cSt	4 cSt	16.5 cSt	101 cSt
Operating Temperature Range	-13°F ~ 265°F (-25°C ~ 130°C)	-4°F ~ 400°F (-20°C ~ 200°C)	-20°F ~ 500°F (-30°C ~ 260°C)	-100°F ~ 300°F (-70°C ~ 150°C)	-20°F ~ 250°F (-30°C ~ 120°C)	-40°F ~ 425°F (-70°C ~ 150°C)	-10°F ~ 325°F (-12°C ~ 160°C)

We have many other lubricants available as well, including several solid lubricant choices. Additionally, we can change the grease in most of our bearings to anything you specify. Consult with AMI for recommendations.

Relubrication Intervals:

Table 11

Bearing Operating Temperature	Environmental Condition		
	Clean	Dirty	Washdown or Extremely Dirty
°F			
Up to 122	12 months	6 months	3 months
Up to 158	6 months	2 months	1 month
Up to 212	3 months	2 weeks	1 week
Up to 248	6 weeks	1 week	3 days
Up to 302	2 weeks	3 days	daily

LUBRICATION (continued)

Compatibility:

Beware of Mixing Greases!

When two incompatible greases are mixed, either one of two things can happen. Either the mixture hardens and will not release any of the oil or the opposite effect; the mixture softens and releases all of the oil.

In either case, the end result is basically the same; there is no means to effectively lubricate the bearing.

Two good greases, when mixed together can make one very bad grease!

It is recommended to use the same type of grease that was originally supplied with the bearing. When changes in grease type are necessary, please consult your lubricant supplier or AMI engineering staff to determine the compatibility of the mixture

Table 12

C = Compatible B = Borderline I = Incompatible	Aluminum Complex	Barium	Bentonite Clay	Calcium	Calcium 12-Hydroxy	Calcium Complex	Calcium Sulfonate	Lithium	Lithium 12-Hydroxy	Lithium Complex	Polyurea	Sodium
	Aluminum Complex	C	I	I	I	C	I	B	I	I	C	I
Barium	I	C	I	I	C	I	B	I	I	I	I	I
Bentonite Clay	I	I	C	C	C	I	B	I	I	I	I	I
Calcium	I	I	C	C	C	B	I	C	B	B	I	I
Calcium 12-Hydroxy	C	C	C	C	C	B	B	C	C	C	I	I
Calcium Complex	I	I	I	B	B	C	C	I	I	C	C	I
Calcium Sulfonate	B	B	B	I	B	C	C	C	C	C	B	I
Lithium	I	I	I	C	C	I	C	C	C	C	I	B
Lithium 12-Hydroxy	I	I	I	B	C	I	C	C	C	C	I	I
Lithium Complex	C	I	I	B	C	C	C	C	C	C	I	B
Polyurea	I	I	I	I	I	C	B	I	I	I	C	I
Sodium	I	I	I	I	I	I	I	B	I	B	I	C

Load Capacity and Life of Bearings

Bearing “Life” is defined as the number of revolutions and or hours at a given speed, which the bearing runs before the first evidence of fatigue develops in the material of either ring or of any of the rolling elements.

Basic Dynamic Load Rating, Cr : The constant stationary radial load which a rolling bearing could theoretically endure for a basic rating life of one million revolutions.

Basic Static Load Rating, Cor : A load acting on a non-rotating bearing. Maximum load that can be applied to the bearing without permanently damaging the bearing.

The rating life of ball bearings is calculated using the following formulas:

$$L_{10} = \left(\frac{C}{P} \right)^3$$

$$L_{10h} = \left(\frac{C}{P} \right)^3 \times \frac{10^6}{60 \times n}$$

Where:

L_{10} : Rated Bearing Life in millions of revolutions

L_{10h} : Rated Bearing Life in operating hours

C : The bearings basic dynamic load rating in lbf or kgf

P : The equivalent applied radial load in lbf or kgf

n : Shaft speed in RPM

Additionally an adjusted rating life can be determined using the following formula:

$$L_{10a} = a_1 \times a_2 \times a_3 \times L_{10}$$

a₁ Reliability Factor:

This is an adjustment factor where estimated fatigue life other than 90% is desired.

Table 13

RELIABILITY %	L_{na}	a_1
99	L_1	0.21
98	L_2	0.33
97	L_3	0.44
96	L_4	0.53
95	L_5	0.62
90	L_{10}	1
50	L_{50}	5

a₂ Material Factor:

AMI Bearings, Inc. uses AISI 52100 high chromium bearing steel or SUS 440C stainless steel for our rolling elements and bearing rings. A factor of 1.0 is used for these materials. If a reduction in material hardness is expected due to high operating temperatures, a reduced a₂ factor should be used. Consult with AMI engineers in these situations.

a₃ Operating Condition Factor:

This factor should take into account the adequacy of lubrication, presence of contamination, and unusual loading or mounting conditions.

Values less than 1.0 should be considered when the kinematic viscosity of the lubricant is less than 13 cSt at the operating temperature or when the rotational speed is exceptionally low.

Values greater than 1.0 can only be considered when the lubrication conditions are so favorable that the probability of failure caused by surface distress is greatly reduced.

Insert bearings are normally mounted on a shaft with a loose fit and rely on features such as inner bearing width and a locking device, the “American Bearing Manufacturers Association (ABMA)” recommends an a₃ factor of 0.456.

Consult with AMI engineers for proper selection of these life adjustment factors.

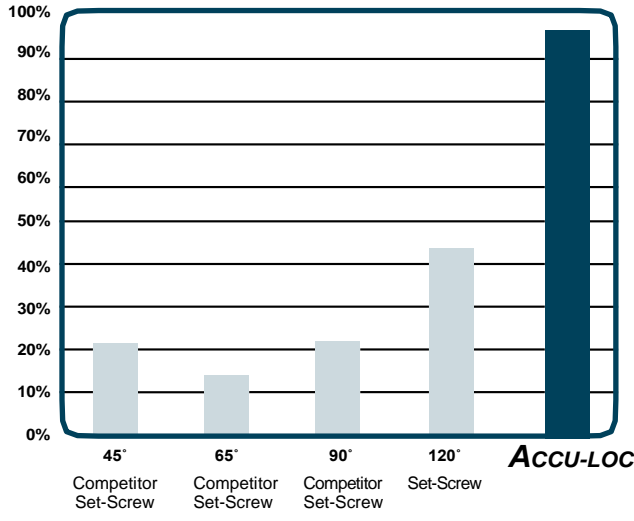
These tables show bearing load ratings at various RPM, based on 500 hours minimum life - 2,500 hours average life.

Table 14

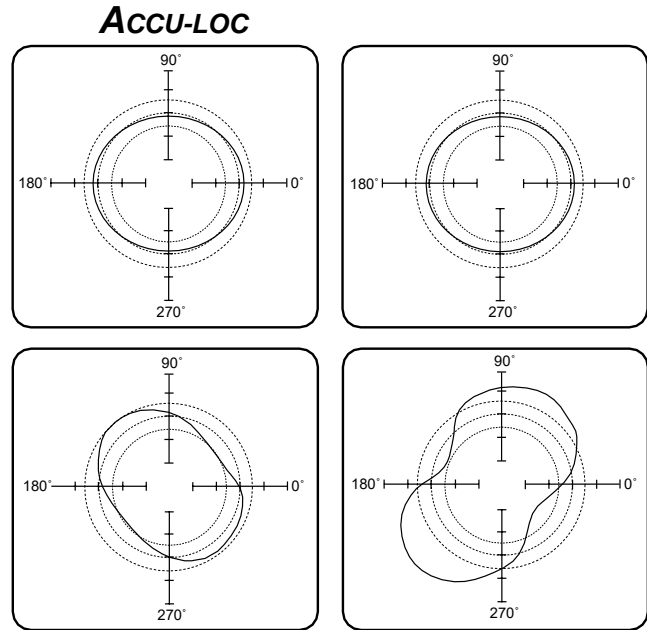
AMI Bearing # NORMAL and MEDIUM DUTY					Radial Load Rating at Various RPM														rpm
UC200 UK200 SER200	UCX00 UKX00	B	UG200	KH200	33-1/3	50	100	250	500	750	1000	1200	1500	2000	2400	3600	5000		
UCW (201-203)	-	1-3	201-203	201-203	2150	1880	1490	1100	870	760	690	650	605	550	515	450	405		
201-204	-	4	204	204	2890	2520	2000	1480	1170	1020	930	875	810	740	695	605	545		
205	-	5	205	205	3150	2750	2190	610	1280	1120	1020	955	885	805	760	660	595		
206	X05	6	206	206	4410	3850	3060	2250	1790	1560	1420	1340	1240	1130	1060	925	830		
207	X06	7	207	207	5820	5090	4040	2970	2360	2060	1870	1760	1640	1490	1400	1200			
208	X07	-	208	208	6590	5760	4570	3370	2670	2340	2120	2000	1850	1680	1590	1380			
209	X08	-	209	209	7420	6450	5120	3770	3000	2620	2380	2240	2080	1890	1780	1550			
210	X09	-	210	210	7980	6930	5500	4060	3220	2810	2550	2400	2230	2030	1910	1670			
211	X10	-	-	211	9700	8480	6730	4960	3930	3440	3120	2940	2730	2080	2330				
212	X11	-	-	-	11800	10300	8180	6030	4780	4180	3800	3570	3320	3010	2840				
213	X12	-	-	-	12900	11300	8940	6590	5230	4570	4150	3910	3630	3300	3100				
214	X13	-	-	-	14000	12200	9710	7150	5680	4960	4510	4240	3940	3580	3370				
215	X14	-	-	-	14900	13000	10300	7600	6040	5270	4790	4510	4180	3800	3580				
216	X15	-	-	-	16300	14300	11300	8340	6620	5780	5250	4940	4590	4170					
217	X16	-	-	-	18700	16400	13000	9570	7600	6640	6030	5680	5270	4790					
218	X17	-	-	-	21500	18800	14900	11000	8720	7620	6920	6510	6040	5490					
-	X18	-	-	-	24500	21400	17000	12500	9920	8670	7880	7410	6880						
-	X20	-	-	-	30200	26400	20900	15400	12200	10700	9720	9149	8490						
HEAVY DUTY																			
UC300	UK300				33-1/3	50	100	250	500	750	1000	1200	1500	2000	2400	3600	5000		
305	305				4780	4180	3220	2440	1940	1700	1540	1450	1350	1220	1150	1010	900		
306	306				6020	5260	4170	3080	2440	2130	1940	1820	1690	1540	1450	1260	1130		
307	307				7530	6550	5200	3830	3040	2660	2410	2270	2110	1920	1800	1570			
308	308				9150	7990	6340	4670	3710	3240	2950	2770	2570	2340	2200	1920			
309	309				11570	10100	8030	5910	4690	4100	3730	3510	3250	2960	2780	2430			
310	310				13900	12100	9630	7110	5630	4920	4470	4210	3910	3550	3340				
311	311				16100	14100	11200	8220	6530	5700	5180	4870	4530	4110	3870				
312	312				18300	16000	12700	9350	7420	6480	5890	5540	5150	4670	4400				
313	313				20800	18200	14400	10600	8450	7380	6710	6310	5860	5320	5010				
314	314				23400	20400	16200	11940	9480	8280	7520	7080	6580	5970	5620				
315	315				25600	22300	17700	13100	10400	9060	8230	7750	7190	6530					
316	316				27650	24100	19100	14100	11200	9760	8870	8350	7750	7040					
317	317				29700	26000	20600	15200	12100	10500	9580	9010	8370	7600					
318	318				32200	28100	22300	16400	13100	11400	10400	9750	9050						
319	319				34400	30000	23800	17600	13900	12200	11100	10400	9670						
320	320				39000	34100	27100	19900	15800	13800	12600	11800	11000						
321	321				41200	36000	28600	21100	16720	14600	13300	12500	11600						
322	322				46100	40300	32000	23500	18700	16300	14800	14000							
324	324				46500	40600	32300	27800	18900	16500	15000	14100							
326	326				51600	45100	35800	26400	20900	18300	16600	15600							
328	328				57300	50100	39700	29300	23200	20300	18400	17400							

Radial Load Rating in Pounds

Compare Accu-LOC[®] versus Set-Screws!



100% represents perfect roundness



Tests show the Accu-Loc maintains roundness and near perfect concentricity when compared to set-screw methods.

Table 15

Accu-LOC			L10 Life	Revolutions Per Minute - (RPM)													Radial Load Rating - (lbs)	
Shaft Size	UE200	SUE 200		50	150	500	1000	1500	1750	2000	2500	3000	3500	4500	5500	6500		7500
3/4" 20mm	UE204-12 UE204	SUE204-12 SUE204	500	—	—	1279	1014	887	843	809	750	706	671	617	578	544	515	
			3000	1514	1049	706	559	485	466	446	417	387	372	338	314	304	279	
			15000	887	617	417	328	289	274	260	245	230	216	201	186	181	167	152
			20000	809	559	372	304	260	250	235	225	211	196	181	172	157	157	137
1" 25mm	UE205-16 UE205	SUE205-16 SUE205	500	—	—	1387	1103	965	916	877	813	764	730	666	622	588	559	
			3000	1642	1142	764	613	534	505	485	446	421	397	368	348	319	309	
			15000	965	666	446	358	314	299	284	265	250	235	216	201	186	181	
			20000	877	613	407	328	284	270	255	245	230	216	201	186	172	167	
1-1/8" 1-3/16" 1-1/4" 30mm	UE206-18 UE206-19 UE206-20 UE206	SUE206-18 SUE206-19 SUE206-20 SUE206	500	—	—	2063	1642	1431	1362	1303	1205	1137	1078	995	926	877	838	
			3000	2440	1705	1137	907	794	715	666	627	598	554	505	485	461	461	
			15000	1431	995	666	529	461	441	426	392	372	348	319	294	279	265	
			20000	1303	907	603	485	426	402	377	358	333	319	294	274	260	245	
1-1/4" 1-3/8" 1-7/16" 35mm	UE207-20 UE207-22 UE207-23 UE207	SUE207-20 SUE207-22 SUE207-23 SUE207	500	—	—	2671	2122	1857	1769	1691	1573	1480	1401	1284	1205	1137	838	
			3000	3175	2195	1480	1171	1024	975	931	862	809	774	706	662	627	627	
			15000	1857	1284	862	686	603	564	544	505	475	456	412	387	368	368	
			20000	1691	1171	789	627	544	515	490	461	431	412	372	353	328	289	
1-1/2" 40mm	UE208-24 UE208	SUE208-24 SUE208	500	—	—	3263	2597	2269	2151	2053	1911	1798	1710	1568	1470	1382		
			3000	3876	2680	1798	1426	1250	1186	1137	1049	995	941	862	809	764	764	
			15000	2269	1568	1049	838	730	691	666	617	578	549	500	470	446	446	
			20000	2053	1426	956	760	666	627	603	559	529	500	461	431	402	402	
1-11/16" 1-3/4" 45mm	UE209-27 UE209-28 UE209	SUE209-27 SUE209-28 SUE209	500	—	—	3513	2788	2430	2313	2215	2058	1931	1828	1686	1573			
			3000	4155	2886	1931	1529	1343	1274	1215	1132	1068	1009	921	867	867		
			15000	2430	1686	1132	902	789	745	715	657	622	588	539	510	510		
			20000	2215	1529	1029	818	715	681	652	603	568	539	495	461	461		
1-15/16" 2" 50mm	UE210-31 UE210-32 UE210	SUE210-31 SUE210-32 SUE210	500	—	—	3836	3044	2654	2525	2418	2247	2108	1996	1840	1717			
			3000	4537	3151	2108	1669	1466	1391	1327	1236	1166	1102	1006	947	947		
			15000	2654	1840	1236	984	861	813	781	717	679	642	589	556	556		
			20000	2418	1669	1124	893	781	744	712	658	621	589	540	503	503		
2" 2-3/16" 55mm	UE211-32 UE211-35 UE211	SUE211-32 SUE211-35 SUE211	500	—	—	4341	3440	3014	2857	2729	2543	2386	2264	2087				
			3000	5140	3572	2386	1901	1656	1573	1499	1397	1308	1245	1147	1147			
			15000	3014	2087	1397	1107	975	921	882	818	764	730	666	666			
			20000	2729	1901	1274	1009	882	838	804	745	696	657	608	608			
2-7/16" 60mm	UE212-39 UE212	SUE212-39 SUE212	500	—	—	5228	4145	3621	3450	3293	3067	2871	2729					
			3000	6199	4302	2881	2283	1994	1896	1813	1686	1578	1499	1499				
			15000	3621	2509	1686	1333	1171	1112	1063	985	921	877	877				
			20000	3293	2283	1529	1215	1063	1005	965	892	843	799	799				
30000	2881	1994	1333	1063	926	877	843											

Prices & Acceptance	All orders are for prompt acceptance only by the company's home office. In the event of an increase or decrease in company prices, the price on any order or contract will be the one in effect at time of shipment.
Taxes	Any sales, use, consumption or other tax applicable to the sale, purchase or use of the products is not included in the price shown on this order and shall be paid by the purchaser whenever due.
Terms	Payment terms are net cash within 30 days from date of invoice. All orders are subject to the approval of our credit department.
Minimum Charge	NO MINIMUM
Parcel Post	All goods shipped by parcel post will be insured and postal charges will be added to the invoice.
Shipments	Shipments will be routed to incur the lowest available transportation charges. All premium rate shipping services, express (air or rail), air freight, etc., will be utilized when the customer so specifies. The necessary extra charges will be added to our invoice to cover those premium services. If such shipments would normally qualify for prepayment of transportation charges by reason of products \$2500 or more, our invoice will reflect a deduction equal to the lowest obtainable transportation cost with excess prepaid charges added. All shipments, unless otherwise specified, are F.O.B. factory. Claims for all shortages, damage or non-delivery in transit shall be made by the consignees to the carrier. Request for proof of delivery must be submitted within 90 days from the date of shipment.
Freight Allowance	Freight will be allowed on one shipment to one destination of \$2500 or more net, F.O.B. factory.
Export Shipments	Transportation charges on export shipments will be prepaid to any United States port of exit if said shipment complies with our standard of domestic condition for freight allowance.
Deliveries & Cancellations	All orders are considered firm contracts. If we are unable to meet requested delivery requirements, and/or our expected dates of shipment, we shall not be liable for any claims for delays beyond our control, nor shall we accept cancellation or suspension unless mutually agreed upon in writing.
Packaging	We do not add extra charges for standard packing required by transport companies for domestic or non-ocean shipments. Additional charges may be applied to cover the cost of extra packing, special engineering, servicing or other unusual elements, including overtime authorized by purchaser, which have not been contemplated.
Export Packaging	Price on application.
Patents	We will defend and hold harmless purchasers of our products against charges of infringement or apparatus claims of the United States Patents issued at the time the product is ordered, providing such changes are based exclusively on mechanical infringement by a product designed and manufactured by us. Before this responsibility shall arise, we must be notified in writing and tendered the right to defend, settle or make any changes for the purpose of avoiding infringements. Under no circumstance will our liability exceed the purchase price of the product furnished by us.

NOTE: AN AUTHORIZED RMA FORM MUST ACCOMPANY ALL RETURNS

RETURNED MATERIALS - No goods will be accepted for return unless written authorization is issued from AMI Bearings, Inc. Goods that are returned for any reason other than defective material will be subject to inspection to ensure items are in a resalable condition. A 15% restocking fee plus freight costs will be deducted from the credit.

- The product must be shipped prepaid to our main facility located at 570 N. Wheeling Rd., Mt. Prospect, IL
- The total allowable value of your corporate return will be 10% of your previous calendar year purchase. An offsetting order of equal value is required.
- A product that is 2+ years old will not be accepted for return (reference original purchase order).

AMI WARRANTS THAT THE MERCHANDISE SOLD BY IT HEREUNDER SHALL BE FREE FROM DEFECTS IN MATERIAL AND WORKMANSHIP FOR A PERIOD OF ONE (1) YEAR FROM THE DATE OF SHIPMENT OF THE GOODS BY AMI. THIS IS THE SOLE AND EXCLUSIVE WARRANTY GIVEN BY AMI WITH RESPECT TO THE GOODS AND IS IN LIEU OF AND EXCLUDES ALL OTHER WARRANTIES, EXPRESS OR IMPLIED, ARISING BY OPERATION OF LAW OR OTHERWISE, INCLUDING WITHOUT LIMITATION, MERCHANTABILITY OR FITNESS FOR A PARTICULAR PURPOSE WHETHER OR NOT THE PURPOSE OR USE HAS BEEN DISCLOSED TO AMI IN SPECIFICATIONS, DRAWINGS OR OTHERWISE, AND WHETHER OR NOT AMI PRODUCTS ARE SPECIFICALLY DESIGNED AND/OR MANUFACTURED BY AMI FOR BUYER'S USE OR PURPOSE.

THIS WARRANTY DOES NOT EXTEND TO ANY LOSSES OR DAMAGES DUE TO MISUSE, ACCIDENT, ABUSE, NEGLIGENCE, NORMAL WEAR AND TEAR, UNAUTHORIZED MODIFICATION OR ALTERATION, USE BEYOND RATED CAPACITY, OR IMPROPER INSTALLATION, MAINTENANCE OR APPLICATION. TO THE EXTENT THAT BUYER OR ITS AGENTS HAS SUPPLIED SPECIFICATIONS, INFORMATION, REPRESENTATION OF OPERATING CONDITIONS OR OTHER DATA TO AMI IN THE SELECTION OR DESIGN OF THE GOODS AND THE PREPARATION OF AMI'S QUOTATION, AND IN THE EVENT THAT ACTUAL OPERATING CONDITIONS OR OTHER CONDITIONS DIFFER FROM THOSE REPRESENTED BY BUYER, ANY WARRANTIES OR OTHER PROVISIONS CONTAINED HEREIN WHICH ARE AFFECTED BY SUCH CONDITIONS SHALL BE NULL AND VOID. IF WITHIN THIRTY (30) DAYS AFTER BUYER'S DISCOVERY OF ANY WARRANTY DEFECTS WITHIN THE WARRANTY PERIOD, BUYER NOTIFIES AMI THEREOF IN WRITING, AMI SHALL, AT ITS OPTION, REPAIR, OR REPLACE OR REFUND THE PURCHASE PRICE FOR THAT PORTION OF THE GOODS FOUND BY AMI TO BE DEFECTIVE. FAILURE BY BUYER TO GIVE SUCH WRITTEN NOTICE WITHIN THE APPLICABLE TIME PERIOD SHALL BE DEEMED AN ABSOLUTE AND UNCONDITIONAL WAIVER OF BUYER'S CLAIM FOR SUCH DEFECTS. BUYER ASSUMES ALL OTHER RESPONSIBILITY FOR ANY LOSS, DAMAGE, OR INJURY TO PERSONS OR PROPERTY ARISING OUT OF, CONNECTED WITH, OR RESULTING FROM THE USE OF GOODS, EITHER ALONE OR IN COMBINATION WITH OTHER PRODUCTS/COMPONENTS.

IT IS EXPRESSLY UNDERSTOOD THAT ANY TECHNICAL ADVICE FURNISHED BY AMI WITH RESPECT TO THE USE OF THE GOODS IS GIVEN WITHOUT CHARGE, AND AMI ASSUMES NO OBLIGATION OR LIABILITY FOR THE ADVICE GIVEN, OR RESULTS OBTAINED, ALL SUCH ADVICE BEING GIVEN AND ACCEPTED AT THE BUYER'S RISK. AMI BEARINGS, INC.

570 N. Wheeling Road
Mt. Prospect, IL 60056

MBU 2-11

Phone: (800) 882-8462
Fax: (847) 759-0630

TO: _____ _____ _____ _____	DATE: _____ ATTN: _____ SHIP VIA: _____
(Phone # required for all Canada shipments)	

ITEM:	QTY:
<u>Catalog</u>	
Mounted Bearing Units	_____
Corrosion Protection Bearing Units	_____
<u>Other</u>	
_____	_____
_____	_____
_____	_____
_____	_____
_____	_____
_____	_____
_____	_____

Catalogs and product information is also available on our website at:
www.amibearings.com



Stocking Warehouses in North America

Cerritos, CA • Tualatin, OR • Denver, CO • Carrollton, TX
 Atlanta, GA • Stuart, FL • Chicago, IL • Charlotte, NC
 Manchester, CT • Winnipeg, MB • Mississauga, ON



Power Transmission Distributors



Participating Manufacturer

Our Mission

The success of AMI Bearings is due to the countless ongoing friendships we have with distributors, suppliers, end-users, representatives and employees. We believe that as AMI continues to grow, we must lift all people associated with our achievements. We will endeavor to ensure that the success of our friends is placed equal with that of our own.

Our Promise

The speed at which business moves today has changed the nature of procurement. Companies no longer can tolerate long lead times for essential components. AMI provides next-day delivery to 94% of the continental U.S. and Canada and 100% within two days. We actively stock all cataloged items throughout our warehouse network, and guarantee same day shipment of all orders received by 4:20pm CST.

AMI is synonymous with flexibility! We will mix, match and even modify product to meet your requirements. Our goal is to make your job easier, so if you need something special, just ask!

The most complete line of Insert Bearings and Mounted Units to meet all your engineering demands and budgetary needs. Whether your application is inch, metric or soft metric.

There's only one choice... **AMI**

Accu-Loc Concentric Locking
Eccentric Collar
Adapter Sleeve 52100 Bearing Steel

AMI INSERTS

Zinc Plated 440C Stainless Steel
Set Screw Kanigen Plated

Phone: (800) 882-8642
Fax: (847) 759-0630

570 North Wheeling Road
Mount Prospect, IL 60056

PBT Thermoplastic Solid Base
Pressed Stainless Steel Nickel Plate

AMI HOUSINGS

304 Stainless Steel Cast Steel
Cast Iron Malleable/Ductile Iron



Custom Solutions Customer Service
Direct Interchangeability
Engineered Quality Unequaled Value

WHY AMI?

Silver Series Normal Duty
Medium Duty Heavy Duty



11 STOCKING LOCATIONS
U.S. AND CANADA

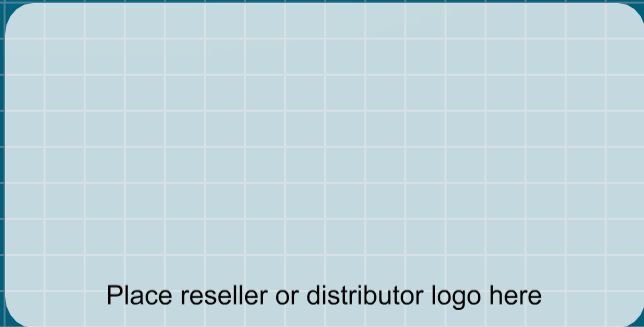
Soft Metric Metric Bores (10mm-140mm)
Inch Bores (1/2" - 4-7/16") 2D & 3D CAD Library

AMI SOLUTIONS

Patented Seal Designs Heat Stabilized
Zone Hardened HACCP Conscious
ISO Certified Insert Production

Catalog MBU 2-11

570 North Wheeling Road
Mount Prospect, IL 60056
Phone: (847) 759-0620
Toll Free: (800) 882-8642
Fax: (847) 759-0630
www.amibearings.com



Place reseller or distributor logo here