

AMI Bearings, Inc.
an **ASAHI** company

CORROSION PROTECTION BEARING UNITS

Featuring our Corrosion Resistant Series



Phone: (800) 882-8642

www.amibearings.com

Fax: (847) 759-0630



PRIME SERIES (page 12)

AISI 440C Stainless Steel Bearing Insert
PBT Thermoplastic Housing

Typical Applications:

- Beverage
- Dairy
- Fresh Meat Processing
- Poultry Processing
- Fruit and Vegetable Processing
- Pharmaceutical

Bore Size Range Availability:

1/2" to 2" and 12mm to 50mm

SELECT PLUS SERIES (page 23)

Zinc Corrosion Resistant AISI 52100 Steel Bearing Insert
PBT Thermoplastic Housing

Typical Applications:

- Snack Foods
- Pickers
- Packers
- Agriculture

Bore Size Range Availability:

1/2" to 2" and 15mm to 50mm



CHOICE SERIES (page 34)

Kanigen Corrosion Resistant Set Screw Locking AISI 52100 Steel Bearing Insert
PBT Thermoplastic Housing

Typical Applications:

- Beverage
- Snack Foods
- Pickle Processing
- Citrus Processing

Bore Size Availability:

1/2" to 2"



CHOICE EXTRA SERIES (page 36)

Kanigen Corrosion Resistant Accu-Loc® AISI 52100 Steel Bearing Insert
PBT Thermoplastic Housing

Typical Applications:

- Food Processing Conveyor
- Pickle Processing
- Citrus Processing
- Glass Manufacturing
- Outside HVAC
- Labeling

Bore Size Range Availability:

3/4" to 1-1/2"

Accu-Loc® is a registered trademark of AMI Bearings, Inc.

Ideal for HACCP Requirements



A wide range of bearing and housing modifications are available, if you need something special, just ask!

SHUR-SEAL SERIES (page 46)

Stainless Steel or Zinc Corrosion Resistant AISI 52100 Steel Bearing Insert
 PBT Thermoplastic Housing with any combination of Closed Covers,
 Open Covers, and Back Seals

Typical Applications:

- Beverage
- Seafood
- Poultry Processing
- Fresh Meat Processing
- Pickle Processing
- Citrus Processing

Bore Size Availability:

1/2" to 1-1/2" and 20mm to 50mm

Ideal for HACCP Requirements



PRIME PLUS SERIES (page 57)

AISI 440C Stainless Steel Bearing Insert
 AISI 304 Cast Stainless Steel Housing

Typical Applications:

- Bakeries
- Seafood
- Poultry Processing
- Fresh Meat Processing
- Marine

Bore Size Range Availability:

1/2" to 2-1/2" and 12mm to 65mm

Ideal for HACCP Requirements



CHOICE PLUS SERIES (page 65)

Kanigen Corrosion Resistant Accu-Loc AISI 52100 Steel Bearing Insert
 AISI 304 Cast Stainless Steel Housing

Typical Applications:

- Canning
- Coating
- Grading
- Blending
- Bleaching

Bore Size Range Availability:

3/4" to 1-1/2"



SELECT SERIES (page 72)

Zinc Corrosion Resistant AISI 52100 Steel Bearing Insert
 Nickel Corrosion Resistant Housing

Typical Applications:

- Agriculture
- Fertilizer and Manure Spreaders
- Lumber Processing
- Wet Recycling
- Pulp and Paper
- Waste Water Treatment
- Car Wash Systems

Bore Size Range Availability:

1/2" to 2-3/16" and 15mm to 50mm



A wide range of bearing and housing modifications are available, if you need something special, just ask!

OVERVIEW AND INTERCHANGE			PAGE
Corrosion Series Overview and Comparison			2
Interchange by Manufacturer			6
Prefix and Suffix Nomenclature			11
SERIES #	DESCRIPTION	LOCKING STYLE	
PRIME SERIES: Stainless Steel Inserts in Thermoplastic Housings			12
MUCPPL200	Pillow Block Units	Set Screw (Wide)	13
MUCTBL200	Tapped Base Pillow Block Units		14
MUCNFL200	Two-Bolt Flange Units		15
MBLF200	Two-Bolt Flange Units	Set Screw (Narrow)	16
MBLX200	Square Hole Two-Bolt Flange Units		16
MUCFBL200	Three-Bolt Flange Bracket Units	Set Screw (Wide)	17
MUCFPL200	Four-Bolt Flange Units		18
MUCTPL200	Take-Up Units		19
MUCNTPL200	Narrow Slot Take-Up Units		20
MUCWTPL200	Wide Slot Take-Up Units		21
MUCHPL200	Hanger Bearing Units		22
SELECT PLUS SERIES: Zinc Corrosion Resistant Steel Inserts in Thermoplastic Housings			23
UCPPL200MZ2	Pillow Block Units	Set Screw (Wide)	24
UCTBL200MZ2	Tapped Base Pillow Block Units		25
UCNFL200MZ2	Two-Bolt Flange Units		26
BLF200MZ2	Two-Bolt Flange Units	Set Screw (Narrow)	27
BLX200MZ2	Square Hole Two-Bolt Flange Units		27
UCFBL200MZ2	Three-Bolt Flange Bracket Units	Set Screw (Wide)	28
UCFPL200MZ2	Four-Bolt Flange Units		29
UCTPL200MZ2	Take-Up Units		30
UCNTPL200MZ2	Narrow Slot Take-Up Units		31
UCWTPL200MZ2	Wide Slot Take-Up Units		32
UCHPL200MZ2	Hanger Bearing Units		33
CHOICE SERIES: Kanigen Corrosion Resistant Steel Inserts in Thermoplastic Housings			34
UCPPL200MZ20	Pillow Block Units	Set Screw (Wide)	35
UCTBL200MZ20	Tapped Base Pillow Block Units		35
UCNFL200MZ20	Two-Bolt Flange Units		35
UCFBL200MZ20	Three-Bolt Flange Bracket Units		35
UCFPL200MZ20	Four-Bolt Flange Units		35
UCTPL200MZ20	Take-Up Units		35
UCNTPL200MZ20	Narrow Slot Take-Up Units		35
UCWTPL200MZ20	Wide Slot Take-Up Units		35
UCHPL200MZ20	Hanger Bearing Units		35
CHOICE EXTRA SERIES: Accu-Loc Locking Kanigen Corrosion Resistant Steel Inserts in Thermoplastic Housings			36
UEPPL200MZ20	Pillow Block Units	Accu-Loc	37
UETBL200MZ20	Tapped Base Pillow Block Units		38
UENFL200MZ20	Two-Bolt Flange Units		39
UEFBL200MZ20	Three-Bolt Flange Bracket Units		40
UEFPL200MZ20	Four-Bolt Flange Units		41
UETPL200MZ20	Take-Up Units		42
UENTPL200MZ20	Narrow Slot Take-Up Units		43
UEWTPL200MZ20	Wide Slot Take-Up Units		44
UEHPL200MZ20	Hanger Bearing Units		45
SHUR-SEAL SERIES: Inserts in Thermoplastic Housings with Covers and/or Back Seal			46
MUCPPL200C(CE)	Pillow Block Units w/Covers	Set Screw (Wide)	47
UCPPL200MZ2C(CE)			48
MUCTBL200C(CE)	Tapped Base Pillow Block Units w/Covers		49
UCTBL200MZ2C(CE)			50
MBNFL200C(CE)	Two-Bolt Flange Units w/Cover & Back Seal		51
BNFL200MZ2C(CE)		52	

SERIES #	DESCRIPTION	LOCKING STYLE	PAGE
SHUR-SEAL SERIES: Inserts in Thermoplastic Housings with Covers and/or Back Seal			
MBFBL200C(CE)	Three-Bolt Flange Bracket Units w/Cover & Back Seal	Set Screw (Narrow)	53
BFBL200MZ2C(CE)			54
MBFPL200C(CE)	Four-Bolt Flange Units w/Cover & Back Seal		55
BFPL200MZ2C(CE)			56
PRIME PLUS SERIES: Stainless Steel Inserts in Stainless Steel Housings			57
MUCP200	Pillow Block Units	Set Screw (Wide)	58
MUCTB200	Tapped Base Pillow Block Units		59
MUCFL200	Two-Bolt Flange Units		60
MBLFL200	Two-Bolt Flange Units	Set Screw (Narrow)	61
MUCFB200	Three-Bolt Flange Bracket Units	Set Screw (Wide)	62
MUCF200	Four-Bolt Flange Units		63
MUCT200	Take-Up Units		64
CHOICE PLUS SERIES: Kanigen Corrosion Resistant Steel Inserts in Stainless Steel Housings			65
UEMP200MZ20	Pillow Block Units	Accu-Loc	66
UEMTB200MZ20	Tapped Base Pillow Block Units		67
UEMFL200MZ20	Two-Bolt Flange Units		68
UEMFB200MZ20	Three-Bolt Flange Bracket Units		69
UEMF200MZ20	Four-Bolt Flange Units		70
UEMT200MZ20	Take-Up Units		71
SELECT SERIES: Zinc Corrosion Resistant Steel Inserts in Nickel Corrosion Resistant Cast Iron Housings			72
UCP200NPMZ2	Pillow Block Units	Set Screw (Wide)	73
UCTB200NPMZ2	Tapped Base Pillow Block Units		74
UCPA200NPMZ2	Tapped Base Pillow Block Units		74
UCFT200NPMZ2	Two-Bolt Flange Units		75
UCFB200NPMZ2	Three-Bolt Flange Bracket Units		76
UCFK200NPMZ2	Three-Bolt Flange Bracket Units		76
UCF200NPMZ2	Four-Bolt Flange Units		77
UCFCS200NPMZ2	Piloted Flange Cartridge Units		78
UCST200NPMZ2	Wide Slot Take-Up Units		79
UCT200NPMZ2	Wide Slot Take-Up Units (Metric)		79
UCECH200NPMZ2	Hanger Bearing Units		80
INSERTS			81
MUC200	Stainless Steel Ball Bearings	Set Screw (Wide)	82
UC200MZ2	Zinc Protected Steel Ball Bearings		83
UC200MZ20	Kanigen Protected Steel Ball Bearings		84
MSER200	Stainless Steel Cylindrical OD Ball Bearings	Set Screw (Narrow)	85
MB200	Stainless Steel Ball Bearings		86
B200MZ2	Zinc Protected Steel Ball Bearings	Accu-Loc	87
UE200MZ20	Kanigen Protected Steel Ball Bearing		88
TECHNICAL & COMPANY INFORMATION			89
Materials			89
Tolerances			90
Seal Designs			90
Thermoplastic Advantages			91
Breaking Point Test			92
Bearing Mounting			93
Lubrication			95
Load Capacity and Life of Bearings			97
Terms & Conditions of Sale			98
Return of Materials Authorization			98
Limited Warranty			99
Literature Request			100
Company Profile			101

NOTE: Every effort has been put forth to ensure the accuracy of this catalog, but AMI Bearings, Inc. does not assume responsibility for any errors.

AMI Part #	Browning	Dodge	FYH	HUB CITY	INA	IPTCI	Link-Belt	MB	MRC/SKF	NTN	Sealmaster	Timken
PILLOW BLOCKS												
BLLP5-16				PB100x1						ASPB205-100		
BLP5-16	V SPL-116	P2B-VSCB-100	SBP205-16	PB100Lx1	PAKY1	SBP205-16	PL3-S216N				VPL-16	SAK1
BP5-16	VPS-116	P2B-VSC-100			PASEY1	SBP205-16					VP-16	SAS1
BPP5-16			SBPP205-16F	PB100Sx1	PBY1			PS251		ASPP205-100	SSP-16	
BPPL5-16MZ2CEW							KP-S216DC					
BPPL5-16MZ2CW							KP-S216D					
BPPL5-16MZ2W							KP-S216					
BPR5-16	SSRPS-116									ASRPP205-100		
BPW5-16	VPS-116M			PB150x1							LP-16	GPSD1
KHLLP205												
KHLP205-16	VPLE-116	P2B-SXVB-100		PB220x1	PAK1		PL3-W216U		SYH1FM	AELPB205-100	VPL-16	VAK1
KHP205-16	VPE-116	P2B-SXV-200		PB221x1	PASE1		P3-W216U		SY1FM	AELP205-100	VP-16E	VAS1
KHPP205-16	SSPE-116	P2B-SLX-100	SAPP205-16F		PB1				S1FM	AELPP205-100	SSP16E	PB1
KHPR205-16	SSRPE-116				RPB1				SR1FM	AELRPP205-100	LRP-16	RPB1
KHPW205-16	VPE-116M										LP-16E	
MUCP205-16	SPS-S216		UCSP205-16S6H1	PB251STWx1		SUCSP205-16			SPB100SS	F-UCPM205-100	CRPS-PN216	
MUCP205-16NP						SUCNPP205-16						
MUCPPL205-16CEW	CPS-S216 ECC			PB251CTWx1 CPCC					CPB100SS EC		CRPC-PN16 ECC	
MUCPPL205-16CW	CPS-S216 ECO			PB251CTWx1 CPOC							CRPC-PN16 ECO	
MUCPPL205-16W	CPS-S216		UCP205-16S6PL	PB251CTWx1		SUCTP205-16			CPB100SS	F-UCPR205-100D1	CRPC-PN16	
MUCPPWS205-16			UCPP205-16S6H1									
UCEP205-16		P2B-SCH-100-E									EMP-16	RAKHL1
UCLP205-16	VPLS-216	P2B-SCB-100	SL205-16	PB250Wx1	RAKY1	UCPL205-16	PL3-U216N	CL251	SYH1TF	UCPL205-100D1	NPL-16	YAK1
UCMP205-16MZ2		P2B-SCEZ-100-SH									BP-16	
UCP205-16	VPS-216	P2B-SC-100	UCP205-16	PB251Wx1	RASEY1	UCP205-16	P3-U216N	C251	SY1TF	UCP205-100D1	NP-16	YAS1
UCP205-16NPMZ2			UCP205-16S7Z5	PBW271WZ-1	RASEY1-FA125	CUCNPP205-16	WP3S216E	NC251	ZPB100ZM			YAS1NT
UCP305-16			UCP305-16							UCP305-100D1		
UCPEU306-19							PE-U319					
UCPH205-16			UCPH205-16							UCPH205-100D1		
UCPPL205-16MZ2CEW	CPS-Z216 ECC	P2B-SCEZ-100-PCR ECC							CPB100ZM EC			
UCPPL205-16MZ2CW	CPS-Z216 ECO	P2B-SCEZ-100-PCR ECO										
UCPPL205-16MZ2W	CPS-Z216	P2B-SCEZ-100-PCR				CUCTP205-16			CPB100ZM			YAS1PT
UCPPL205-16W	CPS-216	P2B-SCEZ-100-P									NP-16C-CR	
UCPU306-19							P-U319					
UCPX05-16	VPS-316	P2B-SCM-100	UCPX05-16	PB350x1		UCPX05-16		C-35-1	SYM1TF	UCPX05-100D1	MP-16	YASM1
UCSP205-16											SP-16	
UELP205											NPL205TM	
UELP205-16	VPLB-216	P2B-DLB-100							KCL-45-1		NPL-16T	
UELP205-16NP									NCL-25-1			
UEMP205-16MZ20		P2B-DLEZ-100SHCR									CRPS-PN16T	
UEP205											NP205TM	
UEP205-16	VPB-216	P2B-DL-100							KC-45-1		NP16-T	RASC1
UEP205-16NP									NC-25K-1			
UEPPL205-16MZ20W		P2B-DL-100-PCR									CRPC-PN16T	
UGAK205-16	VPLE-216	P2B-SXRB-100	NAPK205-16	PB220Wx1	RAK1	NAPL205-16			SYH1WF	UELPL205-100D1	RPL-16	RAK1
UGAKH205-16												RAKH1
UGAO307-23												RAO x 1-7/16
UGP205-16	VPE-216	P2B-SXR-100	NAP205-16	PB221Wx1	RASE1	NAP205-16	P3-Y216N		SY1WF	UEL205-100D1	RP-16E	RAS1
UGP305-16										UEL305-100D1		
UGPEU307-23							PE-Y339					
UGPU307-23							P-Y339					
UGSAO307-23							P2-U339					RSAO x2-7/16
UKP206+HE2306			UKP206+HE2306									

AMI Part #	Browning	Dodge	FYH	HUB CITY	INA	IPTCI	Link-Belt	MB	MRC/SKF	NTN	Sealmaster	Timken
TAPPED BASE												
KHSHE205					PSHE25-N							
MUCTB205-16			UCPAN205-16S6H1	TPB250STWx1		SUCSPA205-16			STB100SS			
MUCTB205-16NP						SUCNPPA205-16						
MUCTBL205-16CEW	CTBS-S216 ECC			TPB250CTWx1 CPCC							CRTBC-PN16 ECC	
MUCTBL205-16CW	CTBS-S216 ECO			TPB250CTWx1 CPOC							CRTBC-PN16 ECO	
MUCTBL205-16W	CTBS-S216		UCPAN205-16S6PL	TPB250CTWx1					CTB100SS		CRTBC-PN16	
UCMTB205-16MZ2											BTB-16	
UCPA205			UCPA205							UCUP205-D1		
UCSHE205					RSHEY25-N							
UCTB205-16	VTBS-216	TB-SC-100	UCPAN205-16	TPB250Wx1	RSHEY1	UCPA205-16	PT3-U216N	TBC-25-1			TB-16	STB1
UCTB205-16NPMZ2						CUCNPPA205-16		NTBC-25-1	ZTB100ZM			
UCTBL205-16MZ2CEW	CTBS-Z216 ECC	TB-SCEZ-100-PCR ECC										
UCTBL205-16MZ2CW	CTBS-Z216 ECO	TB-SCEZ-100-PCR ECO										
UCTBL205-16MZ2W	CTBS-Z216	TB-SCEZ-100-PCR							CTB100ZM			
UCTBL205-16W	CTBS-216	TB-SCEZ-100-P									TB-16C-CR	
UEPA205											TB205TMC	
UETB205-16	VTBB-216	TB-DL-100						KTBC-45-1			TB-16T	
UETB205-16NP								NTBC-25-1				
UETBL205-16MZ20W		TB-DL-100-CR									CRTBC-PN16T	
TAKE UP												
MUCNST205-16NP						SUCNPTRS205-16						
MUCNTPL205-16W			UCTRS205-16S6PL						CTN100SS			
MUCST205-16NP						SUCNPT205-16						
MUCT205-16			UCST205-16S6H1			SUCST205-16			STW100SS			
MUCTPL205-16W												
MUCWTPL205-16W			UCT205-16S6PL						CTW100SS			
UCMT205-16MZ2											BST-16	
UCNST205-16			UCTRS205-16E	TU250Wx1								
UCNST205-16NPMZ2						CUCNPTRS205-16						
UCNTPL205-16MZ2W		NSTU-SCEZ-100-PCR							CTN100ZM			
UCST205-16	VTWS-216	WSTU-SC-100	UCT205-16E	WSTU250Wx1	RTUEY1	UCT205-16	TH3-U216N	TC-25-1	TYB1TF		ST-16	YTU1
UCST205-16NPMZ2					RTUEY1-FA125	CUCNPT205-16	WTH3-S216E	NTC-25-1				YTU1NT
UCT205			UCT205							UCT205D1		
UCT305-16			UCT305-16									
UCTPL205-16MZ2W		WSTU-SCEZ-100-PCR					WTH-S216E				CRST-16	YTU1PT
UCTX05-16	VTWS-316	WSTU-SCM-100	UCTX05-16E			UCTX05-16		TC-35-1	TBYM1TF	UCTX05-100D1	MST-16	YTUM1
UCWTPL205-16MZ2W		WSTU-SCEZ-100-PCR							CTW100ZM		ST-16C-CR	
UENTPL205-16MZ20W		NSTU-DL-100-CR										
UEST205-16		WSTU-DL-100						KTC-45-1			ST-16T	
UEST205-16NP								NTC-25K1				
UET205											ST205TMC	
UEWTPL205-16MZ20W		WSTU-DL-100-PCR									ST-16TC-CR	
BEARING INSERT												
B5-16	VS-116	INS-VSC-100	SB205-16	B250x1	GAY100-NPP-B-AS2/V	SB205-16G	SG216EL			AS205-100	L-16	YA100RRB
B5-16MZ2			SB205-16S7		GAY100-NPP-B-AS2/V-FA125							
BR5-16	SLS-116					CSB205-16	SBG216EL	MSLN-16		ASS205-100	SL-16	
KH205-16	VE-116	INS-SXV-100	SA205-16F	B220x1	GRA100-NPP-B-AS2/V	SA205-16G	W216UL		YET205-100	AEL205-100	V-16E	RA100RRB
KHR205-16	SLE-116				RA100-NPP	CSA205-16	WB216UL			AELS205-100		
MB5-16			SB205-16S6									
MSER205-16			ER205-16S6			SSER205-16						
MUC205-16	VS-S216		UC205-16S6PL	B250TWx1		SUC205-16				F-UC205-100D1		
MUC205-16RF									RRH1100BRR			
SER205			ER205				ER205				ER-205	

AMI Part #	Browning	Dodge	FYH	HUB CITY	INA	IPTCI	Link-Belt	MB	MRC/SKF	NTN	Sealmaster	Timken
SER205-16	VER-216		ER205-16			ER205-16	UBGL216NL	ER-16			ER-16	ER16
SER205-16FSX								ER-16-SFF			ERX-16 (LO, XLO)	
SER205FSX											ERX205 (LO, XLO)	
SUE205											ER-205TMC	
SUE205-16								ER-16K			ER-16T	
SUE205-16FSX								ER-16K-SFF			ERX-16T (LO, XLO)	
SUE205FSX											ERX205TM (LO, XLO)	
UC205											5205M	
UC205-16	VS-216	INS-SC-100	UC205-16	YW250x1	GY1100-KRR-B-AS2/V	UC205-16	UG216NL	MB-25-1-PA	YAR205-100-2F	UC205-100D1	2-1	GY1100KRB
UC205-16AH	VS-216AH											
UC205-16M22		INS-SC-100CR		YWZ250x1					RRZ1100BRR		CR-16	GY1100KRRBTDCF
UC205-16M220		INS-SC-100-CR										
UC305-16			UC305-16							UC305-100D1		
UCX05-16	VS-316	INS-SCM-100	UCX05-16	B350x1		UCX05-16		MB-35-1-PA	YAR206-100-2F	UCX05-100D1	3-1	GYM1100KRRB
UE205											5205TMC	
UE205-16	VB-216	INS-DL-100						KMB-45-1-PA			2-1T	
UE205-16FSX											2-1T (LO, XLO)	
UE205-16M220		INS-DL-100-CR									2-1TCR	
UE205FSX											5205TM (LO, XLO)	
UG205-16	VE-216	INS-SXR-100	NA205-16	YW220x1	G1100-KRR-B-AS2/V	NA205-16	YG216NL		YEL205-100-2F	UEL205-100D1	R-16E	G1100KRRB
UG307-23										UEL307-107D1		GN107KRRB
UK206+HE2306			UK206+HE2306							UK206D1+HE2306		
UK306+HE2306			UK306+HE2306									
UKX06+HE2306			UKX06+HE2306									
UR205-16							UBG216NL					
CARTRIDGE												
KHRRCSM205-16					RCSMB1							RCSM1
UCC205			UCC205							UCC205		
UCC305			UCC305							UCC305		
UCFCS205-16NPM22			UCFCF205-16S7Z5			CUCNPFCS205-16		NPFC4251				RFC1NT
UCLC205-16											SC-16	RC1
UEL205											SC205TMC	
UEL205-16											SC-16T	
2 BOLT FLANGE												
BFT205-16				FB260x1	PCJTY1							
BFX205-16	V2S-116M	LFT-SC-100		FB160x1			FX-W216U				LFT-16	VFTD1
BLCTE205-16					FLCTEY1					ASFD205-100		
BLF5-16M22W												
BLFL205-16			BLF205-16							ASFB205-100		
BNFL5-16M22CEW	CF2S-Z216 ECC	F2B-SCEZ-100-PCR ECC					KFX-S216DC		C2F100ZM EC		CRFTC-PN16 ECC	
BNFL5-16M22CW	CF2S-Z216 ECO	F2B-SCEZ-100-PCR ECO					KFX-S216D				CRFTC-PN16 ECO	
BNFL5-16M22W							KFX-S216					
BPFL205-16	SSF2S-116	F2B-SL-100	SBPFL205-16	FB110Sx1	RATY1			FPS2-25-1	FTP1	ASPFL205-100	SSFT-16	
KHFT205-16	VF2E-116	F2B-SXV-100	SAFL205-16	FB230x1	PCJT1	SAFL205-16	FX3-W216U		FYT1FM	AELFL205-100	VFT-16E	VCJT1
KHFX205-16	VF2E-116M	LFT-SXV-100				SALF205-16H4	FX-W216U				LFTE-16E	
KHLCTE205-16					FLCTE1					AELFD205-100		FLCT1
KHLFL205-16			ALF205-16			SALF205-16				AELFB205-100		
KHPFL205-16	SSF2E-116	F2B-SLX-100	SAPFL205-16		RAT1		52MST216		FT1FM	AELPFL205-100	SSFT-16E	RAT1
MBNFL205-16CEW	CF2S-S216 ECC			FB250CTWx1 CPCC					C2F100SS EC			
MBNFL205-16CW	CF2S-S216 ECO			FB250CTWx1 CPOC								
MUCFL205-16			UCSFL205-16S6H1	FB260STWx1		SUCSFL205-16			S2F100SS	F-UCFM205-100	CRFTS-PN16	
MUCFT205-16NP						SUCNPFL205-16						
MUCNFL205-16W	CF2S-S216		UCFL205-16S6PL	FB250CTWx1					C2F100SS	F-UCFLR205-100D1	CRFTC-PN16	
PFL5							52MST-1					
PFT5							52MSTR-1					

AMI Part #	Browning	Dodge	FYH	HUB CITY	INA	IPTCI	Link-Belt	MB	MRC/SKF	NTN	Sealmaster	Timken
UCFA205-16			UCFA205-16		PSFT1					UCFA205-100D1		
UCFL205-16			UCFL205-16							UCFL205D1		
UCFL305-16			UCFL305-16							UCFL305-100D1		
UCFLX05-16	VF2S-316	F2B-SCM-100	UCFLX05-16			UCFLX05-16		FC2-35-1	FYTM1TF	UCFLX05-100D1	MSFT-16	YCJTM1
UCFT205-16	VF2S-216	F2B-SC-100	UCFL205-16	FB260Wx1	RCJTY1	UCFL205-16	FX3-U216N	FC2-25-1	FYTB1TR	UCFL205-100D1	SFT-16	YCJT1
UCFT205-16NPMZ2			UCFL205-16S7Z5	FB280HWZx1	RCJTY-FA125	CUCNPFL205-16	WFX3S216E	NFC2-25-1	Z2F100ZM			YCJT1NT
UCFT205-16TCMZ2		F2B-SCTC-100-CR					WFX3-S216E				BFT-16	
UCMFL205-16MZ2		F2B-SCEZ-100-SH										
UCNFL205-16MZ2W	CF2S-Z216	F2B-SCEZ-100-PCR				CUCTFL205-16	KFX-S216E		C2F100ZM			YCJT1PT
UCNFL205-16W	CF2S-216	F2B-SCEZ-100-P									SFT-16C-CR	
UEFT205											SFT205TM	
UEFT205-16	VF2B-216	F2B-DL-100						KFC2-45-1			SFT-16T	
UEFT205-16NP								NFC2-25K-1				
UEFX205-16		LFT-DL-100										
UELFL205-16												
UEMFL205-16MZ20		F2B-DLEZ-100-SCHR									CRFBS-PN16T	
UENFL205-16MZ20W		F2B-DL-100-PCR									CRFTC-PN16T	
UETM205-16		LF-DL-100									TFT-16T	
UGCJTZ205-16		F2BZ-SXR-100			RCJTZ1							
UGFJT205-16	VF2E-216	F2B-SXR-100	NANFL205-16	FB230Wx1	RCJT1	NANFL205-16			FYT1WM	UELFLU205-100D1	RFT-16E	RCJT1
UKFL206+HE2306			UKFL206+HE2306									
UKFL306+HE2306			UKFL306+HE2306									
UKFLX06+HE2306			UKFLX06+HE2306									

3 BOLT FLANGE

BPF205-16	SSF3S-116	F3B-SL-100	SBPF205-16	FB100Sx1	RAY1			FPS3-25-1		ASPF205-100	SSF-16	
BPFT205-16	SSF3TS-116				RATRY1			TFPS-25-1			TSSF-16	
BTM205-16	VF3S-116M	LF-SC-100		FB150x1		SBRFB205-16	F-W216U				LF-16	
KHPF205-16	SSF3E-116	F3B-SLX-100	SAPF205-16		RA1		52MSC216		F1FM	AELPF205-100	SSF-16E	RA1
KHPFT205-16	SSF3TE-100				RATR1		52MSTR216				TSSF-16E	RATR1
KHTM205-16	VF3E-116M	LF-SXV-100				SARFB205-16	F-W216U				LF-16E	VFD1
MBPFS5-16			UCPF205-16S6H1									
MBPFTS5-16			UCPFT205-16S6H1									
MUCFB205-16			UCSFB205-16S6H1			SUCSFB205-16					CRFBS-PN16	
MUCFB205-16NP						SUCNPFB205-16						
MUCFBL205-16W			UCFB205-16S6PL			SUCTFB205-16			CBF100SS			
PF5-16							52MS-1					
UCFB205-16	VFB-216	FB-SC-100	UCFB205-16			UCFB205-16	FB3-U216N	MFB-25-1			FB-16	
UCFB205-16NPMZ2			UCFB205-16S7Z5			CUCNPFB205-16	WFB3S216E	NMFB-1				
UCFBL205-16MZ2CEW		FB-SCEZ-100-PCR ECC										
UCFBL205-16MZ2CW		FB-SCEZ-100-PCR ECO										
UCFBL205-16MZ2W		FB-SCEZ-100-PCR				CUCTFB205-16			CFB100ZM		CRFB-16	
UCFBL205-16W		FB-SCEZ-100-P									FB-16-CR	
UCFK205										UCFH205D1		
UEMFB205-16MZ2											CRFBS-PN16T	
UEFB205-16	VFBB-216	FB-DL-100						KMFB-45-1			FB16T	
UEFB205-16NP								NMFB-25-1				
UEFBL205-16MZ20W		FB-DLEZ-100-PCR									FB-16TC-CR	
UEFK205											FB205TMC	

4 BOLT FLANGE

BF205-16	VF4S-116	F4B-VSC-100	SBF205-16	FB250x1	PCJY1	SBF205-16	F3-S216N				VF-16	SCJ1
BFPL5-16MZ2CEW	CF4S-Z216 ECC	F4B-SCEZ-100-PCR ECC					KF-S216DC		C4F100ZM EC		CRFC-PN16 ECC	
BFPL5-16MZ2CW	CF4S-Z216 ECO	F4B-SCEZ-100-PCR ECO					KF-S216D				CRFC-PN16 ECO	
BPL5-16MZ2W							KF-S216					
KHF205-16	VF4S-116E	F4B-SXV-100	SAF205-16	FB220x1	PCJ1		F3-W216U		FY1FM	AELF205-100D1		VCJ1
MBFPL5-16CEW	CF4S-S216 ECC			FB250CTWx1 CPCC					C4F100SS EC			

AMI Part #	Browning	Dodge	FYH	HUB CITY	INA	IPTCI	Link-Belt	MB	MRC/SKF	NTN	Sealmaster	Timken
MBFPL5-16CW	CF4S-S216ECO			FB250CTWx1 CPOC								
MUCF205-16		F4B-SCEZ-100-SHCR	UCSF205-16S6H1	FB250STWx1					S4F100SS		CRFS-PN16	
MUCF205-16NP						SUCNPF205-16						
MUCFPL205-16W	CF4S-S216		UCF205-16S6PL	FB250CTWx1					C4F100SS		CRFC-PN16	
UCF205-16	VF4S-216	F4B-SC-100	UCF205-16E	FB250Wx1	RCJY1		F3-U216N	FC4-25-1	FY1TF	UCF205-100D1	SF-16	YCJ1
UCF205-16NPMZ2			UCF205-16S7Z5	FB270HWZx1	RCJY1-FA125	CUCNPF205-16	WF3S216E	NFC4-25-1	Z4F100ZM			YCJT1NT
UCF305-16			UCF305-16							UCF305-100D1		
UCFEU312-39							FE-U339					
UCFPL205-16MZ2W	CF4S-Z216	F4B-SCEZ-100-PCR							C4F100ZM			
UCFPL205-16W		F4B-SCEZ-100-P										
UCFS305			UCFS305							UCFS305D1		
UCFU312-39							F-U339					
UCFX05-16	VF4S-316	F4B-SCM-100	UCFX05-16E	FB350x1				FC4-35-1	FYM1TF	UCFX05-100D1	MSF-16	YCM1
UCMF205-16MZ2		F4B-SCEZ-100-SH										
UEF205-16	VF4B-216	F4B-DL-100						KFC4-45-1			SF16T	
UEFPL205-16MZ20W		F4B-DLEZ-100-PCR									CRFC-PN16T	
UEMF205-16MZ20		F4B-DLEZ-100SHCR									CRFS-PN16T	
UGCJO312-39												RCJOx2-7/16
UGSLF205-16	VF4E-216	F4B-SXR-100	NANF205-16	FB220Wx1	RCJ1		F3-Y216N		FY1WF	UELF205-100D1	RF-16E	RCJ1
UKF206+HE2306			UKF206+HE2306							UKF206D1+HE2306		
UKF306+HE2306			UKF306+HE2306									
UKFX06+HE2306			UKFX06+HE2306									
FLANGE CARTRIDGE												
KHME205					PME25-N							
MUCFCS208-24NP						SUCNPFCS205-16						
UCFC205			UCFC205							UCFC205		
UCFCF205-16			UCFCF205-16									RFC1
UCFCS208-24	VFCS-224	FC-SC-108						PFC4-25-1			SFC-24	
UCFCS208-24NPMZ2						B/C UCNPFCS208-24		NPFC4-25-1-12				
UCFCX05-16	VFCS-316	FC-SCM-100	UCFCX05-16E	FC350x1				PFC4-35-1		UCFCX05-100D1	MFC-16	
UCFCX05-16			UCFCX05-16									
UCME205					RMEY25-N							
UEFC208-24NP												
UEFCS208-24	VFCB-216	FC-DL-108						KPFC4-45-1-12			SFC-24T	
UGGDR208-24												GRFD1-1/2
HANGER												
MUCECH205-16NP						SUCNPHA205-16						
MUCHPL205-16W			UCHA205-16S6PL									
UCHPL205-16MZ2			UCHA205-16S7PL									
UCECH205-16			UCHA205-16E2					MEHB-1		UCHB205-100D1	SEHB-16	RHC1 (Accu-loc Style)
UCECH205-16NPMZ2						B/C UCNPHA205-16		NMEHB-1				
UEECH205-16		SCHB-DL-100										

Trademark and trade names used in this catalog are for reference purposes only and belong to the respective owners.

	52100 Steel, Wide Inner Ring, Spherical OD, Set Screw	Pillow Block, Thermoplastic	1-Inch Bore	Zinc Bearing Insert	2 Open Covers	White Housing
UCPPL205-16MZ2CW =	UC	PPL	205-16	MZ2	C	W
(COMPLETE UNIT)	(BEARING)	(HOUSING)	(BORE SIZE)	(PROTECTION)	(COVERS)	(HOUSING COLOR)

PROTECTION, COLORS & COVERS

MZ2	Zinc Bearing Insert
MZ20	Kanigen Bearing Insert
NP	Nickel-Plate (Copper Nickel Chrome)
W	White Thermoplastic Housing
B	Black Thermoplastic Housing
C	2 open covers
CE	1 closed cover and 1 open cover
BS	Back Seal

BEARING INSERTS

MB	440C Stainless, Narrow Inner Ring, Spherical OD, Set Screw
MSER	440C Stainless, Wide Inner Ring, Cylindrical w/Snap Ring, Set Screw
MUC	440C Stainless, Wide Inner Ring, Spherical OD, Set Screw
UC	52100 Steel, Wide Inner Ring, Spherical OD, Set Screw
UCW	52100 Steel, Wide Inner Ring, Spherical OD, Set Screw
UR	52100 Steel, Wide Inner Ring, Cylindrical OD, Set Screw
UE	Black Oxide, Wide Inner Ring, Spherical OD, Accu-Loc
SUE	Black Oxide, Wide Inner Ring, Cylindrical OD w/Snap Ring, Accu-Loc
UCX	52100 Steel, Medium Duty, Wide Inner Ring, Spherical OD, Set Screw
UG	52100 Steel, Wide Inner Ring, Spherical OD, Eccentric
UGW	52100 Steel, Wide Inner Ring, Spherical OD, Eccentric
B	52100 Steel, Narrow Inner Ring, Spherical OD, Set Screw
BR	52100 Steel, Narrow Inner Ring, Cylindrical OD, Set Screw
KH	52100 Steel, Narrow Inner Ring, Spherical OD, Eccentric
KHR	52100 Steel, Narrow Inner Ring, Cylindrical OD, Eccentric
SER	52100 Steel, Wide Inner Ring, Cylindrical OD w/snap Ring, Set Screw
UK	52100 Steel, Spherical OD, Adapter
K000	52100 Steel, Extra Narrow Inner Ring, Set Screw
U000	52100 Steel, Extra Narrow Inner Ring, Eccentric
MU000	Stainless Steel, Extra Narrow Inner Ring, Eccentric

SPECIAL BEARING INSERTS

PAGD	Poly-Acetal Races with Glass Balls, Double Row, Wide Inner Ring, Spherical OD, Set Screw
PAGS	Poly-Acetal Races with Glass Balls, Double Row, Wide Inner Ring, Spherical OD, Set Screw
PAMD	Poly-Acetal Races with Stainless Balls, Double Row, Wide Inner Ring, Spherical OD, Set Screw
PAMS	Poly-Acetal Races with Stainless Balls, Double Row, Wide Inner Ring, Spherical OD, Set Screw
PAV	Poly-Acetal Races Sleeve/Bushing

SERIES

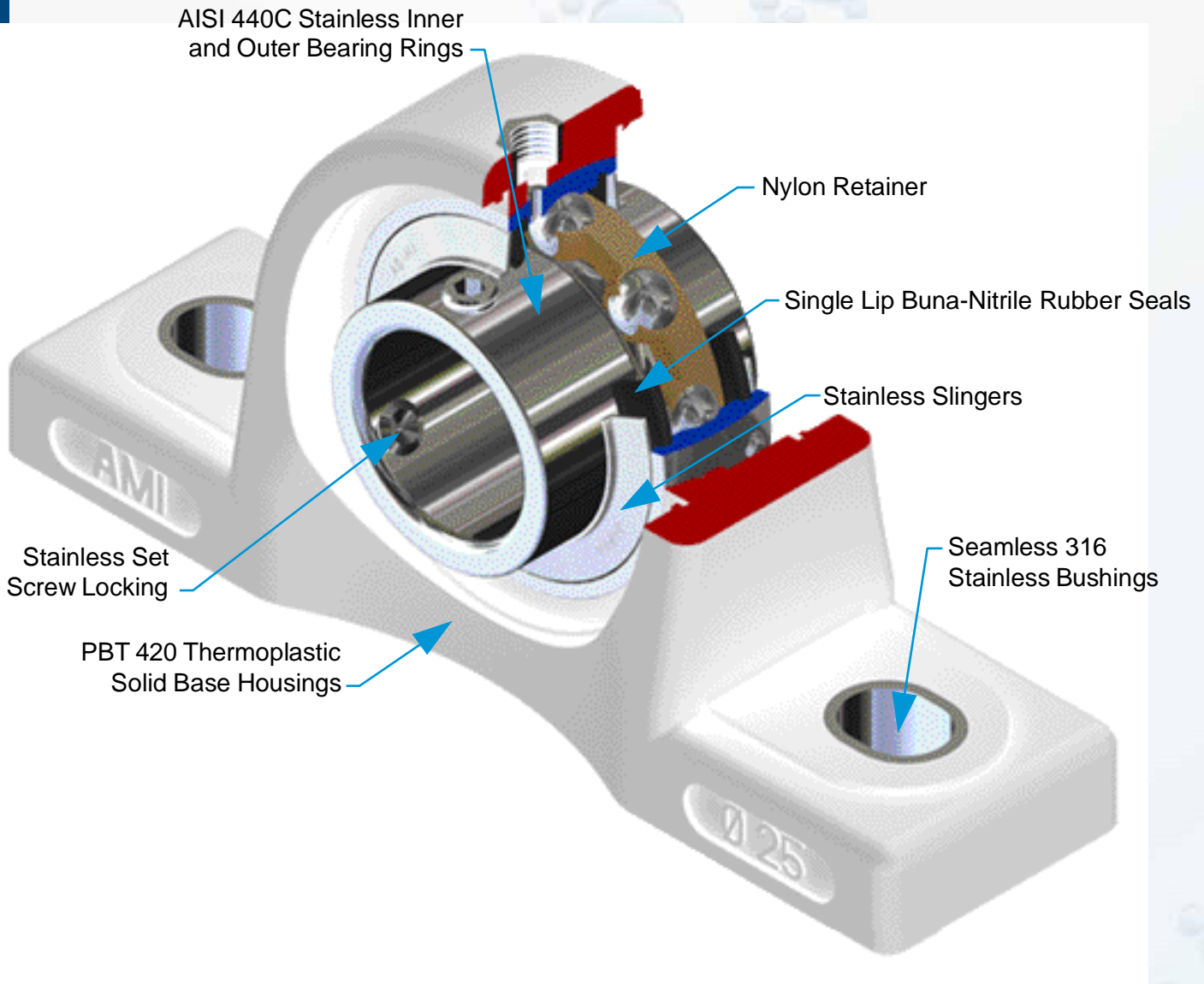
000	Extra Light Duty
200	Normal Duty
X00	Medium Duty
300	Heavy Duty

HOUSINGS

FT2	2 Bolt Flange, Gray Cast Iron
FL	2 Bolt Flange, Gray Cast Iron
FJT	2 Bolt Flange, Gray Cast Iron
CJTZ	Piloted 2 Bolt Flange, Gray Cast Iron
LFL	2 Bolt Flange, Gray Cast Iron
FX	2 Bolt Flange, Malleable Cast
LCTE	2 Bolt Flange, Malleable Cast
PFL	2 Bolt Flange, Pressed Steel
FA	2 Bolt Adjustable Flange, Gray Cast Iron
NFL	2 Bolt Flange, Thermoplastic
LF (204-205)	2 Bolt Flange, Thermoplastic, Round Bolt Hole
LX (204-205)	2 Bolt Flange, Thermoplastic, Square Bolt Hole
P200	Pillow Block, Gray Cast Iron
LP	Low Base Pillow Block, Gray Cast Iron
AK	Low Base Pillow Block, Gray Cast Iron
EP	Expansion Type Pillow Block, Gray Cast Iron
LLP	Pillow Block, Gray Cast Iron
PP	Pillow Block, Pressed Steel
PR	Rubber Cushioned Pillow Block, Pressed Steel
PW	Pillow Block, Malleable Cast
PPL	Pillow Block, Thermoplastic
TB	Tapped Base Pillow Block, Gray Cast Iron
PA	Tapped Base Pillow Block, Gray Cast Iron
TBL	Tapped Base, Thermoplastic
PH	Pedestal Base Pillow Block, Gray Cast Iron
FB	3 Bolt Flange Bracket, Gray Cast Iron
FK	3 Bolt Flange Bracket, Gray Cast Iron
TM	3 Bolt Flange, Malleable Cast
PF	3 Bolt Flange, Pressed Steel
PFT	3 Bolt Flange, Pressed Steel
FBL	3 Bolt Flange Bracket, Thermoplastic
F	4 Bolt Flange, Gray Cast Iron
LF	4 Bolt Flange, Gray Cast Iron
SLF	4 Bolt Flange, Gray Cast Iron
FPL	4 Bolt Flange, Thermoplastic
FC	Piloted Flange Cartridge, Gray Cast Iron
FCS	Piloted Flange Cartridge, Gray Cast Iron
FCF	Piloted Flange Cartridge, Gray Cast Iron
ST	Wide Slot Take-Up, Gray Cast Iron
T	Take-Up, Gray Cast Iron
NST	Narrow Slot Take-Up, Gray Cast Iron
TPL	Take Up, Standard Slot, Thermoplastic
WTPL	Take Up, Wide Slot, Thermoplastic
NTPL	Take Up, Narrow Slot, Thermoplastic
ECH	Hanger Bearing, Gray Cast Iron
HPL	Hanger, Thermoplastic
LC	Cartridge, Gray Cast Iron
C	Cartridge, Gray Cast Iron
PX00	Medium Duty Pillow Block, Gray Cast Iron
FLX	Medium Duty 2 Bolt Flange, Gray Cast Iron
FX00	Medium Duty 4 Bolt Flange, Gray Cast Iron
FCSX	Medium Duty Flange Cartridge, Gray Cast Iron
FCX	Medium Duty Flange Cartridge, Gray Cast Iron
TX00	Medium Duty Take-Up, Gray Cast Iron
P300	Heavy Duty Pillow Block, Gray Cast Iron
P-U	Heavy Duty Pillow Block, Gray Cast Iron
PE-U	Heavy Duty Expansion Pillow Block, Gray Cast Iron
AO	Heavy Duty Pillow Block, Gray Cast Iron
SAO	Heavy Duty Pillow Block, Gray Cast Iron
FL300	Heavy Duty 2 Bolt Flange, Gray Cast Iron
F300	Heavy Duty 4 Bolt Flange, Gray Cast Iron
FS	Heavy Duty 4 Bolt Flange with Pilot, Gray Cast Iron
CJO	Heavy Duty 4 Bolt Flange, Gray Cast Iron
T300	Heavy Duty Take-Up, Gray Cast Iron
C300	Heavy Duty Cartridge, Gray Cast Iron
P000	Silver Series, Pillow Block, Zinc Alloy
FL000	Silver Series, 2 Bolt Flange, Zinc Alloy
ME	Piloted Flange Cartridge, Gray Cast Iron
SHE	Tapped Base Pillow Block, Gray Cast Iron
RCSM	Cartridge, Rubber
SP	Pillow Block, Gray Cast Iron

PRIME SERIES

(Stainless Steel Bearing Insert in Thermoplastic Housing)

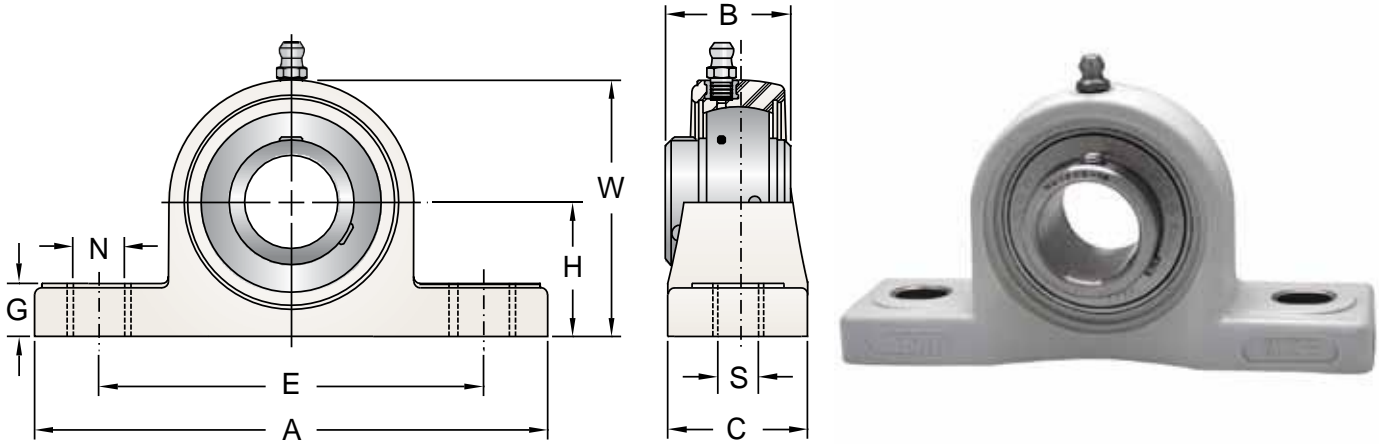


Bore Size Range Availability: 1/2" to 2" and 15mm to 50mm

MUCPPL205-16W

- Stainless Steel Bearing Insert
- Wide Inner Ring, Set Screw Locking Bearing Insert
- Thermoplastic Housing Style
- Basic Bearing Size
- Bearing Bore in Sixteenths of an Inch
- White Housing Material (Change "W" to "B" for Black Material)

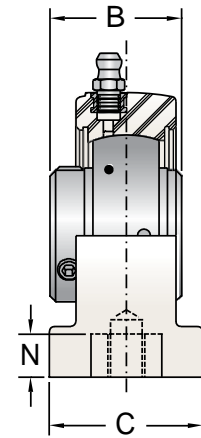
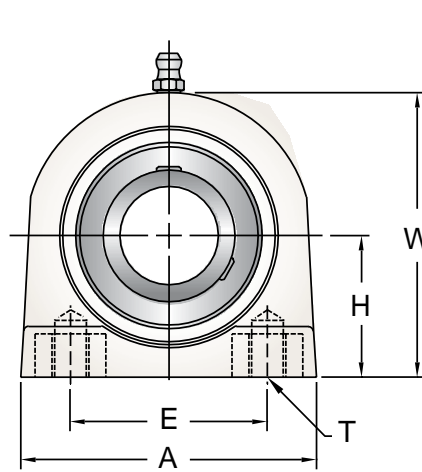
Normal Duty • Wide Inner Ring • 0°F ~ 212°F • H1 Approved Food Grade Grease



Shaft Dia. (in.)	AMI Unit #	List Price	Dimensions (in.)										Bolt Size (in.)	Bearing #	Housing #	Weight (lb.)		
			H	A	E		C	S	N	G	W	B						
					Min.	Max.												
1/2	MUCPPL201-8																	0.74
5/8	MUCPPL202-10		1-5/16	5	3-37/64	3-59/64	1-1/2	7/16	35/64	9/16	2-37/64	1.220	3/8	MUC201-8	PPL204	0.70		
3/4	MUCPPL204-12													MUC202-10		0.64		
														MUC204-12				
7/8	MUCPPL205-14													MUC205-14		0.82		
15/16	MUCPPL205-15		1-7/16	5-1/2	3-61/64	4-19/64	1-1/2	7/16	35/64	37/64	2-3/4	1.339	3/8	MUC205-15	PPL205	0.78		
1	MUCPPL205-16													MUC205-16		0.74		
1-1/8	MUCPPL206-18													MUC206-18		1.20		
1-3/16	MUCPPL206-19		1-11/16	6-3/8	4-15/32	4-29/32	1-13/16	35/64	23/32	45/64	3-19/64	1.500	1/2	MUC206-19	PPL206	1.16		
1-1/4	MUCPPL206-20													MUC206-20		1.10		
1-1/4	MUCPPL207-20													MUC207-20		1.78		
1-5/16	MUCPPL207-21		1-7/8	6-39/64	4-25/32	5-7/32	1-7/8	35/64	23/32	23/32	3-23/32	1.689	1/2	MUC207-21	PPL207	1.72		
1-3/8	MUCPPL207-22													MUC207-22		1.66		
1-7/16	MUCPPL207-23													MUC207-23		1.60		
1-1/2	MUCPPL208-24		1-15/16	7-1/4	5-5/32	5-19/32	2-1/8	35/64	23/32	25/32	3-57/64	1.937	1/2	MUC208-24	PPL208	2.24		
1-11/16	MUCPPL209-27		2-1/8	7-9/16	5-19/32	5-29/32	2-1/8	43/64	25/32	29/32	4-11/64	1.937	5/8	MUC209-27	PPL209	2.48		
1-3/4	MUCPPL209-28													MUC209-28		2.38		
1-7/8	MUCPPL210-30													MUC210-30		3.02		
1-15/16	MUCPPL210-31		2-1/4	8-1/8	6-3/32	6-13/32	2-3/8	43/64	25/32	29/32	4-1/2	2.031	5/8	MUC210-31	PPL210	2.92		
2	MUCPPL210-32													MUC210-32		2.80		
Dimensions (mm)																		
12	MUCPPL201													MUC201		0.74		
15	MUCPPL202		33.3	127	91	99	38	11	14	14.2	65.5	31	M10	MUC202	PPL204	0.70		
17	MUCPPL203													MUC203		0.68		
20	MUCPPL204		33.3	127	91	99	38	11	14	14.2	65.5	31	M10	MUC204	PPL204	0.64		
25	MUCPPL205		36.5	140	101	109	38	11	14	14.5	71.0	34	M10	MUC205	PPL205	0.76		
30	MUCPPL206		42.9	162	113	125	46	14	18	17.8	84.0	38.1	M12	MUC206	PPL206	1.16		
35	MUCPPL207		47.6	168	121	133	48	14	18	18	94.5	42.9	M12	MUC207	PPL207	1.66		
40	MUCPPL208		49.2	184	131	143	54	14	18	19.8	99.0	49.2	M12	MUC208	PPL208	2.16		
45	MUCPPL209		54.0	192	142	150	54	17	20	23	106.0	49.2	M16	MUC209	PPL209	2.36		
50	MUCPPL210		57.2	206	155	163	60	17	20	23	114.0	51.6	M16	MUC210	PPL210	2.86		

NOTE: For Thermoplastic units please specify one of the following suffixes after the part number: "W" for a white housing or "B" for a black housing. Lubrication fitting Tap Size 1/4-28 UNF

INTERCHANGES: CPS-S216 SUCTP205-16 CPB100SSG



Shaft Dia. (in.)	AMI Unit #	List Price	Dimensions (in.)								Bolt Holes (UNC Thread) T	Bearing #	Housing #	Weight (lb.)	
			H	A	E	C	N	W	B						
1/2	MUCTBL201-8														0.68
5/8	MUCTBL202-10		1-5/16	2-7/8	2	1-23/64	7/16	2-19/32	1.220	3/8-16	MUC201-8	TBL204	0.64		
3/4	MUCTBL204-12										MUC202-10	TBL204	0.58		
7/8	MUCTBL205-14										MUC204-12	TBL204	0.80		
15/16	MUCTBL205-15		1-7/16	3	2	1-9/16	7/16	2-57/64	1.339	3/8-16	MUC205-14	TBL205	0.76		
1	MUCTBL205-16										MUC205-15	TBL205	0.72		
1-1/8	MUCTBL206-18										MUC205-16	TBL205	1.14		
1-3/16	MUCTBL206-19		1-11/16	4	3	1-43/64	7/16	3-5/16	1.500	7/16-14	MUC206-18	TBL206	1.10		
1-1/4	MUCTBL206-20										MUC206-19	TBL206	1.04		
1-1/4	MUCTBL207-20										MUC206-20	TBL206	1.76		
1-5/16	MUCTBL207-21		1-7/8	4-3/8	3-1/4	1-7/8	5/8	3-3/4	1.689	1/2-13	MUC207-20	TBL207	1.70		
1-3/8	MUCTBL207-22										MUC207-21	TBL207	1.64		
1-7/16	MUCTBL207-23										MUC207-22	TBL207	1.58		
1-1/2	MUCTBL208-24		1-15/16	4-23/32	3-1/2	1-7/8	5/8	3-61/64	1.937	1/2-13	MUC207-23	TBL207	2.10		
1-11/16	MUCTBL209-27		2-1/8	4-7/8	3-3/4	1-31/32	3/4	4-17/64	1.937	1/2-13	MUC208-24	TBL208	2.34		
1-3/4	MUCTBL209-28										MUC209-27	TBL209	2.24		
											MUC209-28	TBL209			
Dimensions (mm)															
12	MUCTBL201													0.68	
15	MUCTBL202		33.3	73	50.8	34.5	11.1	66	31.0	3/8-16	MUC201	TBL204	0.64		
17	MUCTBL203										MUC202	TBL204	0.62		
20	MUCTBL204		33.3	73	50.8	34.5	11.1	66	31.0	3/8-16	MUC203	TBL204	0.58		
25	MUCTBL205		36.5	76.2	50.8	39.7	11.1	73.4	34.0	3/8-16	MUC204	TBL204	0.74		
30	MUCTBL206		42.9	101.6	76.2	42.5	11.1	84	38.1	7/16-14	MUC205	TBL205	1.10		
35	MUCTBL207		47.6	111	82.6	47.6	16.0	95	42.9		MUC206	TBL206	1.64		
40	MUCTBL208		49.2	120	88.9	47.6	16.0	100.4	49.2	1/2-13	MUC207	TBL207	2.02		
45	MUCTBL209		54.0	124	95.3	50	19.0	108.5	49.2		MUC208	TBL208	2.22		

NOTE: For Thermoplastic units please specify one of the following suffixes after the part number: "W" for a white housing or "B" for a black housing. Lubrication fitting Tap Size 1/4-28 UNF

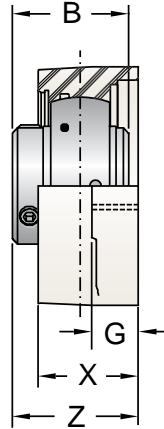
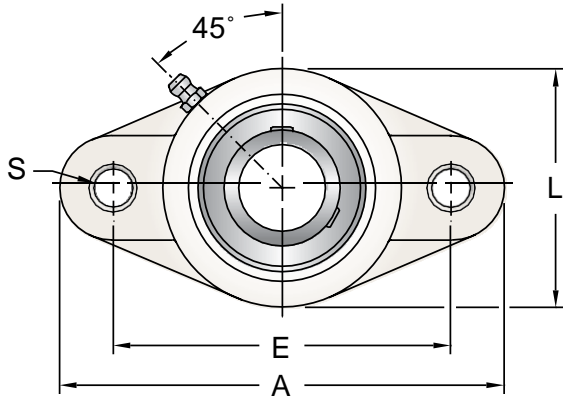
INTERCHANGES: CTBS-S216 SUCTPA205-16 CTB100SSG

TWO-BOLT FLANGE UNITS

Stainless Insert detail-pg. 82 • RF Patent Seal-pg. 90 • Shur-Seal-pg. 51

MUCNFL 200

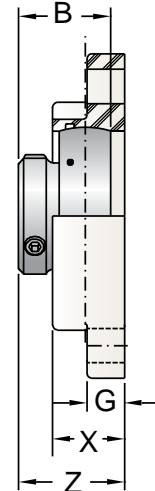
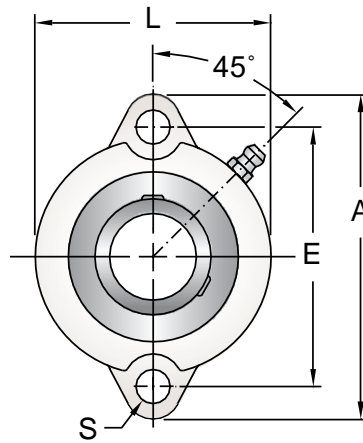
PRIME



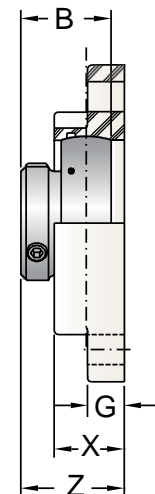
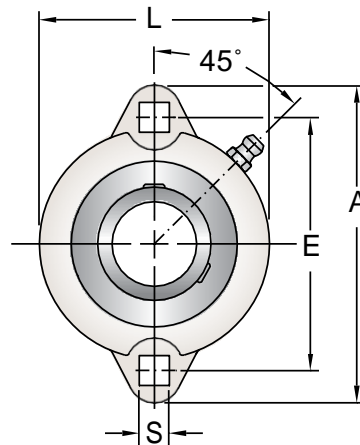
Shaft Dia. (in.)	AMI Unit #	List Price	Dimensions (in.)								Bolt Size (in.)	Bearing #	Housing #	Weight (lb.)	
			A	E	G	X	S	L	Z	B					
1/2	MUCNFL201-8												MUC201-8		0.62
5/8	MUCNFL202-10		4-7/16	3-35/64	29/64	1-3/64	7/16	2-1/2	1-21/64	1.220	3/8	MUC202-10	NFL204	0.58	
3/4	MUCNFL204-12											MUC204-12		0.52	
7/8	MUCNFL205-14											MUC205-14		0.72	
15/16	MUCNFL205-15		5-1/8	3-57/64	17/32	1-9/64	7/16	2-3/4	1-29/64	1.339	3/8	MUC205-15	NFL205	0.68	
1	MUCNFL205-16											MUC205-16		0.64	
1-1/8	MUCNFL206-18											MUC206-18		0.98	
1-3/16	MUCNFL206-19		5-13/16	4-39/64	33/64	1-13/64	7/16	3-5/32	1-5/8	1.500	3/8	MUC206-19	NFL206	0.94	
1-1/4	MUCNFL206-20											MUC206-20		0.88	
1-1/4	MUCNFL207-20											MUC207-20		1.52	
1-5/16	MUCNFL207-21		6-7/16	5-1/8	41/64	1-19/64	33/64	3-35/64	1-45/64	1.689	1/2	MUC207-21	NFL207	1.46	
1-3/8	MUCNFL207-22											MUC207-22		1.40	
1-7/16	MUCNFL207-23											MUC207-23		1.34	
1-1/2	MUCNFL208-24		6-7/8	5-43/64	25/32	1-31/64	35/64	3-15/16	2-1/32	1.937	1/2	MUC208-24	NFL208	1.98	
1-11/16	MUCNFL209-27		7-7/16	5-27/32	53/64	1-39/64	43/64	4-1/4	2-9/64	1.937	5/8	MUC209-27	NFL209	2.22	
1-3/4	MUCNFL209-28											MUC209-28		2.12	
1-7/8	MUCNFL210-30											MUC210-30		2.60	
1-15/16	MUCNFL210-31		7-3/4	6-3/16	53/64	1-11/16	43/64	4-17/32	2-17/64	2.031	5/8	MUC210-31	NFL210	2.50	
2	MUCNFL210-32											MUC210-32		2.38	
Dimensions (mm)															
12	MUCNFL201											MUC201		0.62	
15	MUCNFL202		112.7	90	11.4	26.5	11	63.5	33.7	31	M10	MUC202	NFL204	0.58	
17	MUCNFL203											MUC203		0.56	
20	MUCNFL204		112.7	90	11.4	26.5	11	63.5	33.7	31	M10	MUC204	NFL204	0.52	
25	MUCNFL205		130	99	13.5	29.1	11	69.9	36.7	34	M10	MUC205	NFL205	0.66	
30	MUCNFL206		148	117	13.3	30.5	11	80	41.2	38.1	M10	MUC206	NFL206	0.94	
35	MUCNFL207		164	130	16.1	32.8	13	90	43.4	42.9	M12	MUC207	NFL207	1.40	
40	MUCNFL208		174.6	144	20	37.5	14	100	51.7	49.2	M12	MUC208	NFL208	1.90	
45	MUCNFL209		188.9	148.5	21	41	17	108	54.2	49.2	M16	MUC209	NFL209	2.10	
50	MUCNFL210		197	157	21	43	17	115	57.6	51.6	M16	MUC210	NFL210	2.44	

NOTE: For Thermoplastic units please specify one of the following suffixes after the part number: "W" for a white housing or "B" for a black housing. Lubrication fitting Tap Size 1/4-28 UNF

INTERCHANGES: CF2S-S216 SUCTFL205-16 C2F100SSG



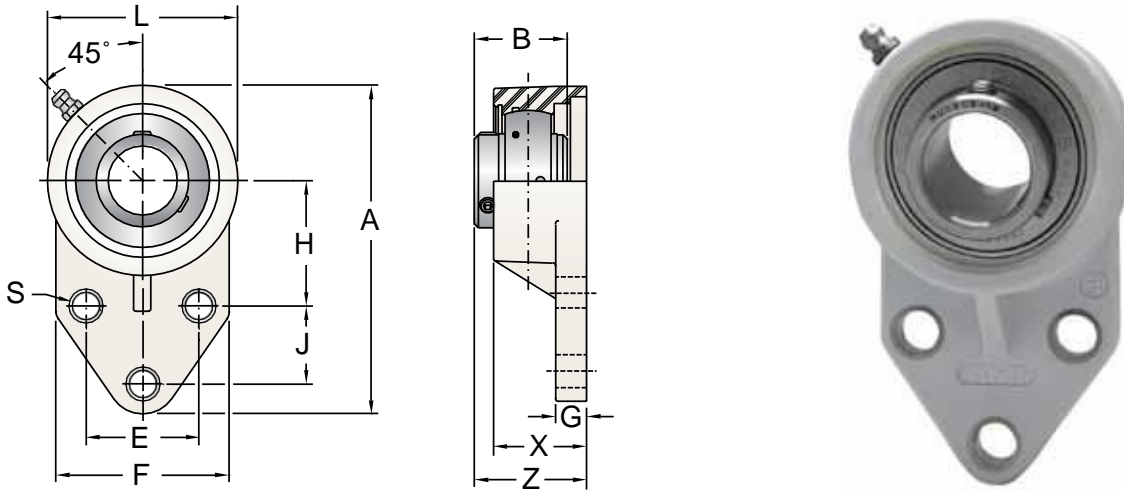
Shaft Dia. (in.)	AMI Unit #	List Price	Dimensions (in.)								Bolt Size (in.)	Bearing #	Housing #	Weight (lb.)
			A	E	G	X	S	L	Z	B				
1/2	MBLF1-8		3-3/16	2-1/2	25/64	45/64	9/32	2-13/64	1	0.866	1/4	MB1-8	LF203	0.28
5/8	MBLF2-10		3-3/16	2-1/2	25/64	45/64	9/32	2-13/64	1	0.866	1/4	MB2-10	LF203	0.26
3/4	MBLF4-12		3-35/64	2-13/16	7/16	25/32	25/64	2-31/64	1-9/64	0.972	5/16	MB4-12	LF204	0.38
1	MBLF5-16		3-3/4	3	7/16	53/64	25/64	2-23/32	1-7/32	1.063	5/16	MB5-16	LF205	0.46
Dimensions (mm)														
20	MBLF4		90	71	11	20	10	63	29	24.7	M8	MB4	LF204	0.36
25	MBLF5		95	76	11	21	10	69	31	27	M8	MB5	LF205	0.46



Shaft Dia. (in.)	AMI Unit #	List Price	Dimensions (in.)								Bolt Size (in.)	Bearing #	Housing #	Weight (lb.)
			A	E	G	X	S	L	Z	B				
1/2	MBLX1-8		3-3/16	2-1/2	25/64	45/64	9/32	2-13/64	1	0.866	1/4	MB1-8	LX203	0.28
5/8	MBLX2-10		3-3/16	2-1/2	25/64	45/64	9/32	2-13/64	1	0.866	1/4	MB2-10	LX203	0.26
3/4	MBLX4-12		3-35/64	2-13/16	7/16	25/32	23/64	2-31/64	1-9/64	0.972	5/16	MB4-12	LX204	0.38
1	MBLX5-16		3-3/4	3	7/16	53/64	23/64	2-23/32	1-7/32	1.063	5/16	MB5-16	LX205	0.46
Dimensions (mm)														
20	MBLX4		90	71	11	20	9	63	29	24.7	M8	MB4	LX204	0.36
25	MBLX5		95	76	11	21	9	69	31	27	M8	MB5	LX205	0.46

NOTE: For Thermoplastic units please specify one of the following suffixes after the part number: "W" for a white housing or "B" for a black housing. Lubrication fitting Tap Size 1/4-28 UNF

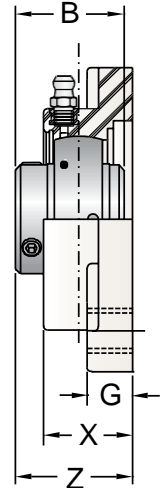
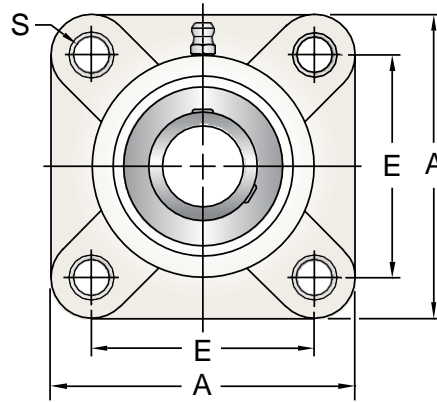
INTERCHANGES: AMI EXCLUSIVE



Shaft Dia. (in.)	AMI Unit #	List Price	Dimensions (in.)											Bolt Size (in.)	Bearing #	Housing #	Weight (lb.)		
			A	H	E	J	G	X	S	L	F	Z	B						
1/2	MUCFBL201-8																		0.64
5/8	MUCFBL202-10		4-1/4	1-11/16	1-1/2	7/8	29/64	1	27/64	2-1/2	2-7/16	1-21/64	1.220	3/8	MUC201-8	FBL204		0.60	
3/4	MUCFBL204-12														MUC204-12			0.54	
7/8	MUCFBL205-14														MUC205-14			0.74	
15/16	MUCFBL205-15		4-3/4	1-13/16	1-5/8	1-1/8	29/64	1-11/32	27/64	2-3/4	2-1/2	1-5/8	1.339	3/8	MUC205-15	FBL205		0.70	
1	MUCFBL205-16														MUC205-16			0.66	
1-1/8	MUCFBL206-18														MUC206-18			1.08	
1-3/16	MUCFBL206-19		5-29/64	2-1/16	1-7/8	1-1/4	33/64	1-1/4	27/64	3-1/4	3	1-41/64	1.500	3/8	MUC206-19	FBL206		1.04	
1-1/4	MUCFBL206-20														MUC206-20			0.98	
1-1/4	MUCFBL207-20														MUC207-20			1.68	
1-5/16	MUCFBL207-21		6-3/16	2-3/8	2	1-1/4	41/64	1-7/16	33/64	3-3/4	3-1/2	1-55/64	1.689	1/2	MUC207-21	FBL207		1.62	
1-3/8	MUCFBL207-22														MUC207-22			1.56	
1-7/16	MUCFBL207-23														MUC207-23			1.50	
Dimensions (mm)																			
12	MUCFBL201														MUC201			0.64	
15	MUCFBL202		108	42.9	38.1	22.2	11.4	25.4	10.7	63.5	62	33.7	31	M10	MUC202	FBL204		0.60	
17	MUCFBL203														MUC203			0.58	
20	MUCFBL204		108	42.9	38.1	22.2	11.4	25.4	10.7	63.5	62	33.7	31		MUC204	FBL204		0.54	
25	MUCFBL205		120.6	46	41.3	28.6	11.4	34	10.7	70	63.5	41.2	34	M10	MUC205	FBL205		0.68	
30	MUCFBL206		138.5	52.4	47.6	31.8	13.3	31.8	10.7	83	76	41.5	38.1		MUC206	FBL206		1.04	
35	MUCFBL207		157	60.3	50.8	31.8	16.1	36.5	13.1	95	89	47.1	42.9	M12	MUC207	FBL207		1.56	

NOTE: For Thermoplastic units please specify one of the following suffixes after the part number: "W" for a white housing or "B" for a black housing. Lubrication fitting Tap Size 1/4-28 UNF

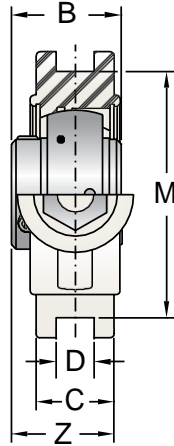
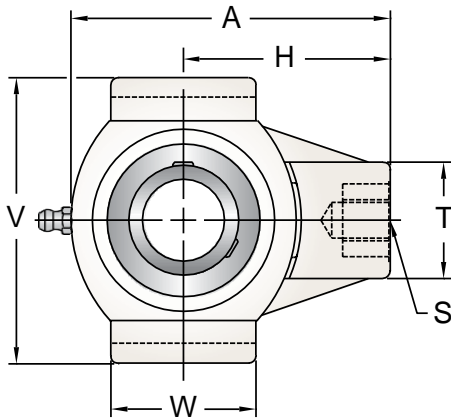
INTERCHANGES: CPS-S216 SUCTP205-16 CPB100SSG



Shaft Dia. (in.)	AMI Unit #	List Price	Dimensions (in.)							Bolt Size (in.)	Bearing #	Housing #	Weight (lb.)
			A	E	G	X	S	Z	B				
1/2	MUCFPL201-8										MUC201-8		0.74
5/8	MUCFPL202-10		3-3/8	2-1/2	17/32	1-3/32	7/16	1-27/64	1.220	3/8	MUC202-10	FPL204	0.70
3/4	MUCFPL204-12										MUC204-12		0.64
7/8	MUCFPL205-14										MUC205-14		0.82
15/16	MUCFPL205-15		3-3/4	2-3/4	9/16	1-7/64	7/16	1-29/64	1.339	3/8	MUC205-15	FPL205	0.78
1	MUCFPL205-16										MUC205-16		0.74
1-1/8	MUCFPL206-18										MUC206-18		1.14
1-3/16	MUCFPL206-19		4-1/4	3-1/4	9/16	1-1/4	7/16	1-5/8	1.500	3/8	MUC206-19	FPL206	1.10
1-1/4	MUCFPL206-20										MUC206-20		1.04
1-1/4	MUCFPL207-20										MUC207-20		1.74
1-5/16	MUCFPL207-21		4-5/8	3-5/8	39/64	1-3/8	33/64	1-27/32	1.689	1/2	MUC207-21	FPL207	1.68
1-3/8	MUCFPL207-22										MUC207-22		1.62
1-7/16	MUCFPL207-23										MUC207-23		1.56
1-1/2	MUCFPL208-24		5-1/8	4	43/64	1-15/32	35/64	2-3/32	1.937	1/2	MUC208-24	FPL208	2.22
1-11/16	MUCFPL209-27		5-3/8	4-1/8	3/4	1-39/64	43/64	2-9/64	1.937	5/8	MUC209-27	FPL209	2.50
1-3/4	MUCFPL209-28										MUC209-28		2.40
1-7/8	MUCFPL210-30		5-5/8	4-3/8	53/64	1-11/16	43/64	2-17/64	2.031	5/8	MUC210-30		2.94
1-15/16	MUCFPL210-31										MUC210-31	FPL210	2.84
2	MUCFPL210-32										MUC210-32		2.72
Dimensions (mm)													
12	MUCFPL201										MUC201		0.74
15	MUCFPL202		86	63.5	13.4	27.8	11	36.3	31	M10	MUC202	FPL204	0.70
17	MUCFPL203										MUC203		0.68
20	MUCFPL204		86	63.5	13.4	27.8	11	36.3	31		MUC204	FPL204	0.64
25	MUCFPL205		95	70	14.3	28	11	36.7	34	M10	MUC205	FPL205	0.76
30	MUCFPL206		108	83	14.3	31.7	11	41.4	38.1		MUC206	FPL206	1.10
35	MUCFPL207		118	92	15.5	34.8	13	46.9	42.9	M12	MUC207	FPL207	1.62
40	MUCFPL208		130	102	17	37.5	14	53.2	49.2	M12	MUC208	FPL208	2.14
45	MUCFPL209		137	105	19	41	17	54.2	49.2	M16	MUC209	FPL209	2.38
50	MUCFPL210		143	111	21	43	17	57.6	51.6	M16	MUC210	FPL210	2.78

NOTE: For Thermoplastic units please specify one of the following suffixes after the part number: "W" for a white housing or "B" for a black housing. Lubrication fitting Tap Size 1/4-28 UNF

INTERCHANGES: CF4S-S216 SUCTF205-16 C4F100SSG

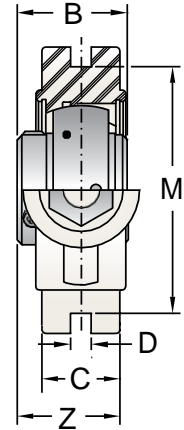
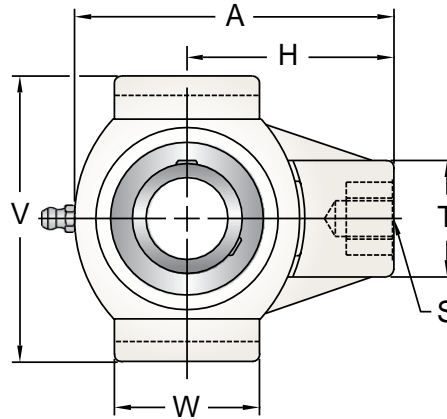


Shaft Dia. (in.)	AMI Unit #	List Price	Dimensions (in.)											Bearing #	Housing #	Weight (lb.)	
			A	C	D	H	M	T	V	W	B	Z	S				
1/2	MUCTPL201-8														MUC201-8		0.84
5/8	MUCTPL202-10		3-57/64	61/64	15/32	2-33/64	3	1-27/64	3-31/64	1-49/64	1.220	1-13/64	1/2-13UNC	MUC202-10	TPL204	0.80	
3/4	MUCTPL204-12													MUC204-12		0.74	
7/8	MUCTPL205-14													MUC205-14		0.86	
15/16	MUCTPL205-15		3-57/64	61/64	15/32	2-33/64	3	1-27/64	3-31/64	1-49/64	1.339	1-1/4	1/2-13UNC	MUC205-15	TPL205	0.82	
1	MUCTPL205-16													MUC205-16		0.78	
1-1/8	MUCTPL206-18													MUC206-18		1.40	
1-3/16	MUCTPL206-19		4-59/64	1-11/64	15/32	3	3-1/2	1-37/64	4-1/64	2-7/16	1.500	1-29/64	5/8-11UNC	MUC206-19	TPL206	1.36	
1-1/4	MUCTPL206-20													MUC206-20		1.30	
1-1/4	MUCTPL207-20													MUC207-20		1.72	
1-5/16	MUCTPL207-21		4-59/64	1-11/64	15/32	3	3-1/2	1-37/64	4-1/64	2-7/16	1.689	1-19/32	5/8-11UNC	MUC207-21	TPL207	1.66	
1-3/8	MUCTPL207-22													MUC207-22		1.60	
1-7/16	MUCTPL207-23													MUC207-23		1.54	
1-1/2	MUCTPL208-24		5-33/64	1-17/64	5/8	3-11/32	4-1/64	1-37/64	4-31/64	3-7/64	1.937	1-53/64	5/8-11UNC	MUC208-24	TPL208	2.16	
Dimensions (mm)																	
12	MUCTPL201													MUC201		0.84	
15	MUCTPL202		99	24.2	12	64	76	36	88.5	45	31	30.4	1/2-13UNC	MUC202	TPL204	0.80	
17	MUCTPL203													MUC203		0.78	
20	MUCTPL204		99	24.2	12	64	76	36	88.5	45	31	30.4	1/2-13UNC	MUC204	TPL204	0.74	
25	MUCTPL205		99	24.2	12	64	76	36	88.5	45	34	31.8	1/2-13UNC	MUC205	TPL205	0.80	
30	MUCTPL206		125	29.8	12	76	89	40	102	62	38.1	37.1	5/8-11UNC	MUC206	TPL206	1.36	
35	MUCTPL207		125	29.8	12	76	89	40	102	62	42.9	40.3	5/8-11UNC	MUC207	TPL207	1.60	
40	MUCTPL208		140	32.1	16	85	102	40	114	79	49.2	46.3	5/8-11UNC	MUC208	TPL208	2.08	

NOTE: For Thermoplastic units please specify one of the following suffixes after the part number: "W" for a white housing or "B" for a black housing. Lubrication fitting Tap Size 1/4-28 UNF

INTERCHANGES: AMI EXCLUSIVE

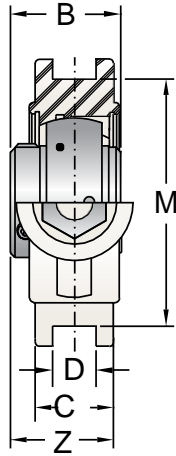
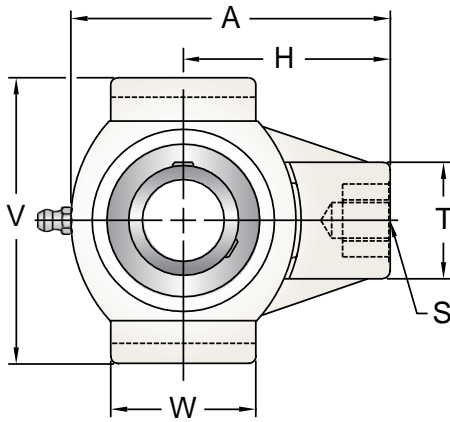
PRIME



Shaft Dia. (in.)	AMI Unit #	List Price	Dimensions (in.)											Bearing #	Housing #	Weight (lb.)	
			A	C	D	H	M	T	V	W	B	Z	S				
1/2	MUCNTPL201-8														MUC201-8		0.86
5/8	MUCNTPL202-10		3-57/64	61/64	1/4	2-33/64	3	1-27/64	3-31/64	1-49/64	1.220	1-13/64	1/2-13UNC	MUC202-10	NTPL204	0.82	
3/4	MUCNTPL204-12													MUC204-12		0.76	
7/8	MUCNTPL205-14													MUC205-14		0.86	
15/16	MUCNTPL205-15		3-57/64	61/64	1/4	2-33/64	3	1-27/64	3-31/64	1-49/64	1.339	1-1/4	1/2-13UNC	MUC205-15	NTPL205	0.82	
1	MUCNTPL205-16													MUC205-16		0.78	
1-1/8	MUCNTPL206-18													MUC206-18		1.44	
1-3/16	MUCNTPL206-19		4-59/64	1-11/64	1/4	3	3-1/2	1-37/64	4-1/64	2-7/16	1.500	1-29/64	5/8-11UNC	MUC206-19	NTPL206	1.40	
1-1/4	MUCNTPL206-20													MUC206-20		1.34	
1-1/4	MUCNTPL207-20													MUC207-20		1.76	
1-5/16	MUCNTPL207-21		4-59/64	1-11/64	1/4	3	3-1/2	1-37/64	4-1/64	2-7/16	1.689	1-19/32	5/8-11UNC	MUC207-21	NTPL207	1.70	
1-3/8	MUCNTPL207-22													MUC207-22		1.64	
1-7/16	MUCNTPL207-23													MUC207-23		1.58	
1-1/2	MUCNTPL208-24		5-33/64	1-17/64	1/4	3-11/32	4-1/64	1-37/64	4-31/64	3-7/64	1.937	1-53/64	5/8-11UNC	MUC208-24	NTPL208	2.20	
Dimensions (mm)																	
12	MUCNTPL201													MUC201		0.86	
15	MUCNTPL202		99	24.2	6.4	64	76	36	88.5	45	31	30.4	1/2-13UNC	MUC202	NTPL204	0.82	
17	MUCNTPL203													MUC203		0.80	
20	MUCNTPL204		99	24.2	6.4	64	76	36	88.5	45	31	30.4	1/2-13UNC	MUC204	NTPL204	0.76	
25	MUCNTPL205		99	24.2	6.4	64	76	36	88.5	45	34	31.8	1/2-13UNC	MUC205	NTPL205	0.80	
30	MUCNTPL206		125	29.8	6.4	76	89	40	102	62	38.1	37.1	5/8-11UNC	MUC206	NTPL206	1.40	
35	MUCNTPL207		125	29.8	6.4	76	89	40	102	62	42.9	40.3	5/8-11UNC	MUC207	NTPL207	1.64	
40	MUCNTPL208		140	32.1	6.4	85	102	40	114	79	49.2	46.3	5/8-11UNC	MUC208	NTPL208	2.12	

NOTE: For Thermoplastic units please specify one of the following suffixes after the part number: "W" for a white housing or "B" for a black housing. Lubrication fitting Tap Size 1/4-28 UNF

INTERCHANGES: UCTR5205-16S6PL CTW100SS

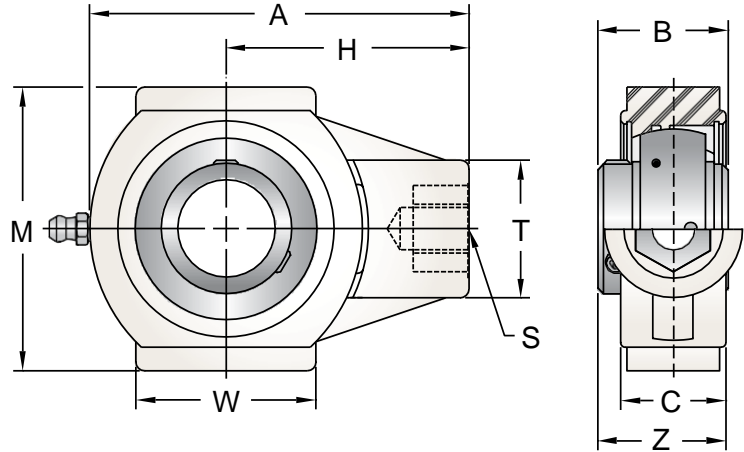


Shaft Dia. (in.)	AMI Unit #	List Price	Dimensions (in.)											Bearing #	Housing #	Weight (lb.)	
			A	C	D	H	M	T	V	W	B	Z	S				
1/2	MUCWTPL201-8														MUC201-8		0.84
5/8	MUCWTPL202-10		3-57/64	61/64	17/32	2-33/64	3	1-27/64	3-31/64	1-49/64	1.220	1-13/64	1/2-13UNC	MUC202-10	WTPL204	0.80	
3/4	MUCWTPL204-12													MUC204-12		0.74	
7/8	MUCWTPL205-14													MUC205-14		0.84	
15/16	MUCWTPL205-15		3-57/64	61/64	17/32	2-33/64	3	1-27/64	3-31/64	1-49/64	1.339	1-1/4	1/2-13UNC	MUC205-15	WTPL205	0.80	
1	MUCWTPL205-16													MUC205-16		0.76	
1-1/8	MUCWTPL206-18													MUC206-18		1.40	
1-3/16	MUCWTPL206-19		4-59/64	1-11/64	17/32	3	3-1/2	1-37/64	4-1/64	2-7/16	1.500	1-29/64	5/8-11UNC	MUC206-19	WTPL206	1.36	
1-1/4	MUCWTPL206-20													MUC206-20		1.30	
1-1/4	MUCWTPL207-20													MUC207-20		1.72	
1-5/16	MUCWTPL207-21		4-59/64	1-11/64	17/32	3	3-1/2	1-37/64	4-1/64	2-7/16	1.689	1-19/32	5/8-11UNC	MUC207-21	WTPL207	1.66	
1-3/8	MUCWTPL207-22													MUC207-22		1.60	
1-7/16	MUCWTPL207-23													MUC207-23		1.54	
1-1/2	MUCWTPL208-24		5-33/64	1-17/64	11/16	3-11/32	4-1/64	1-37/64	4-31/64	3-7/64	1.937	1-53/64	5/8-11UNC	MUC208-24	WTPL208	2.16	
Dimensions (mm)																	
12	MUCWTPL201													MUC201		0.84	
15	MUCWTPL202		99	24.2	13.5	64	76	36	88.5	45	31	30.4	1/2-13UNC	MUC202	WTPL204	0.80	
17	MUCWTPL203													MUC203		0.78	
20	MUCWTPL204		99	24.2	13.5	64	76	36	88.5	45	31	30.4	1/2-13UNC	MUC204	WTPL204	0.74	
25	MUCWTPL205		99	24.2	13.5	64	76	36	88.5	45	34	31.8	1/2-13UNC	MUC205	WTPL205	0.78	
30	MUCWTPL206		125	29.8	13.5	76	89	40	102	62	38.1	37.1	5/8-11UNC	MUC206	WTPL206	1.36	
35	MUCWTPL207		125	29.8	13.5	76	89	40	102	62	42.9	40.3	5/8-11UNC	MUC207	WTPL207	1.60	
40	MUCWTPL208		140	32.1	17.5	85	102	40	114	79	49.2	46.3	5/8-11UNC	MUC208	WTPL208	2.08	

NOTE: For Thermoplastic units please specify one of the following suffixes after the part number: "W" for a white housing or "B" for a black housing. Lubrication fitting Tap Size 1/4-28 UNF

INTERCHANGES: UCT205-16S6PL CTW100SS

PRIME



Shaft Dia. (in.)	AMI Unit #	List Price	Dimensions (in.)									Bearing #	Housing #	Weight (lb.)	
			A	C	H	M	T	W	B	Z	S				
1/2	MUCHPL201-8												MUC201-8		0.78
5/8	MUCHPL202-10		3-57/64	1-5/64	2-1/2	2-9/16	1-27/64	1-27/32	1.220	1-17/64	1/2-13UNC	MUC202-10	HPL204	0.74	
3/4	MUCHPL204-12											MUC204-12		0.68	
7/8	MUCHPL205-14											MUC205-14		0.82	
15/16	MUCHPL205-15		3-57/64	1-5/64	2-1/2	2-29/32	1-27/64	1-27/32	1.339	1-5/16	1/2-13UNC	MUC205-15	HPL205	0.78	
1	MUCHPL205-16											MUC205-16		0.74	
1-1/8	MUCHPL206-18											MUC206-18		1.36	
1-3/16	MUCHPL206-19		4-59/64	1-23/64	3	3-1/2	1-37/64	2-1/2	1.500	1-35/64	5/8-11UNC	MUC206-19	HPL206	1.32	
1-1/4	MUCHPL206-20											MUC206-20		1.26	
1-1/4	MUCHPL207-20											MUC207-20		1.70	
1-5/16	MUCHPL207-21		4-59/64	1-23/64	3	3-1/2	1-37/64	2-1/2	1.689	1-43/64	5/8-11UNC	MUC207-21	HPL207	1.64	
1-3/8	MUCHPL207-22											MUC207-22		1.58	
1-7/16	MUCHPL207-23											MUC207-23		1.52	
Dimensions (mm)															
12	MUCHPL201											MUC201		0.78	
15	MUCHPL202		99	27.5	63.5	65	36	47	31.0	32.1	1/2-13UNC	MUC202	HPL204	0.74	
17	MUCHPL203											MUC203		0.72	
20	MUCHPL204		99	27.5	63.5	65	36	47	31.0	32.1	1/2-13UNC	MUC204	HPL204	0.68	
25	MUCHPL205		99	27.5	63.5	74	36	47	34.0	33.5	1/2-13UNC	MUC205	HPL205	0.76	
30	MUCHPL206		125	34.5	76	88.9	40	63.5	38.1	39.4	5/8-11UNC	MUC206	HPL206	1.32	
35	MUCHPL207		125	34.5	76	88.9	40	63.5	42.9	42.6	5/8-11UNC	MUC207	HPL207	1.58	

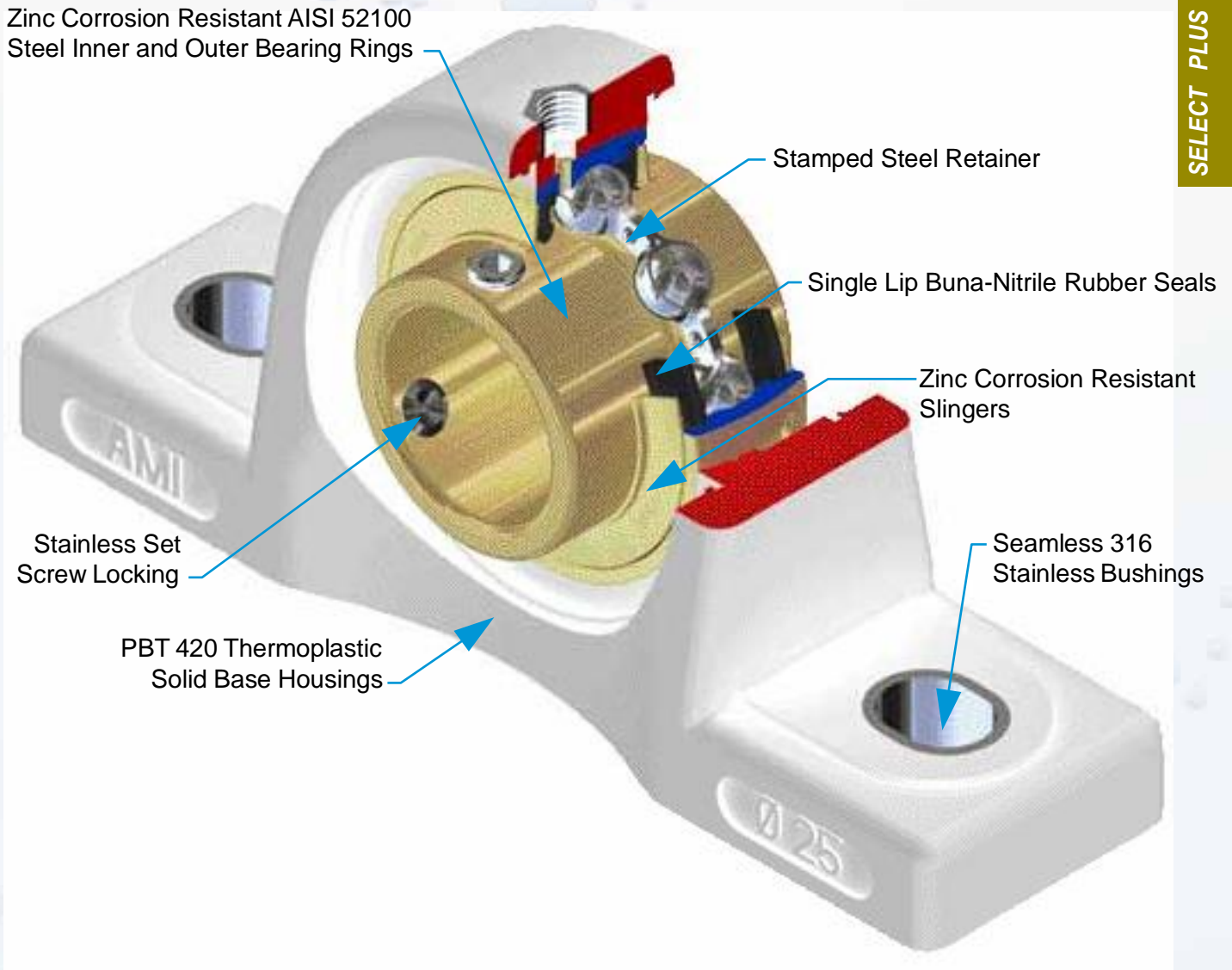
NOTE: For Thermoplastic units please specify one of the following suffixes after the part number: "W" for a white housing or "B" for a black housing. Lubrication fitting Tap Size 1/4-28 UNF

INTERCHANGES: UCHA205-16S6PL

SELECT PLUS SERIES

(Zinc Corrosion Resistant Bearing Insert in Thermoplastic Housing)

SELECT PLUS



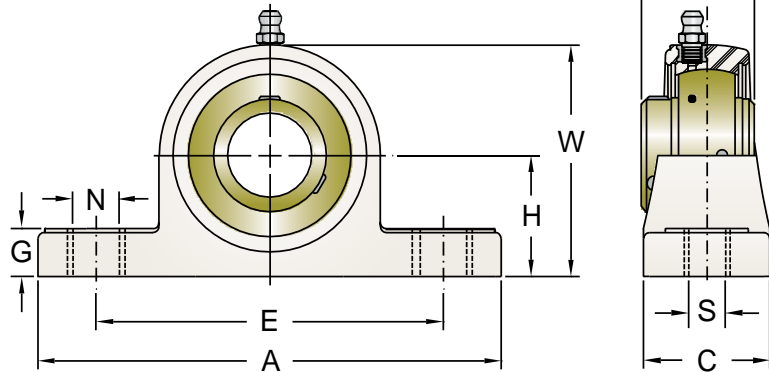
Bore Size Range Availability: 1/2" to 2" and 15mm to 50mm

UCPPL 205 - 16 MZ 2W

- White Housing Material (Change "W" to "B" for Black Material)
- Zinc Corrosion Resistant Bearing Insert
- Bearing Bore in Sixteenths of an Inch
- Basic Bearing Size
- Thermoplastic Housing Style
- Wide Inner Ring, Set Screw Locking Bearing Insert

Normal Duty • Wide Inner Ring • 0°F ~ 212°F • H1 Approved Food Grade Grease

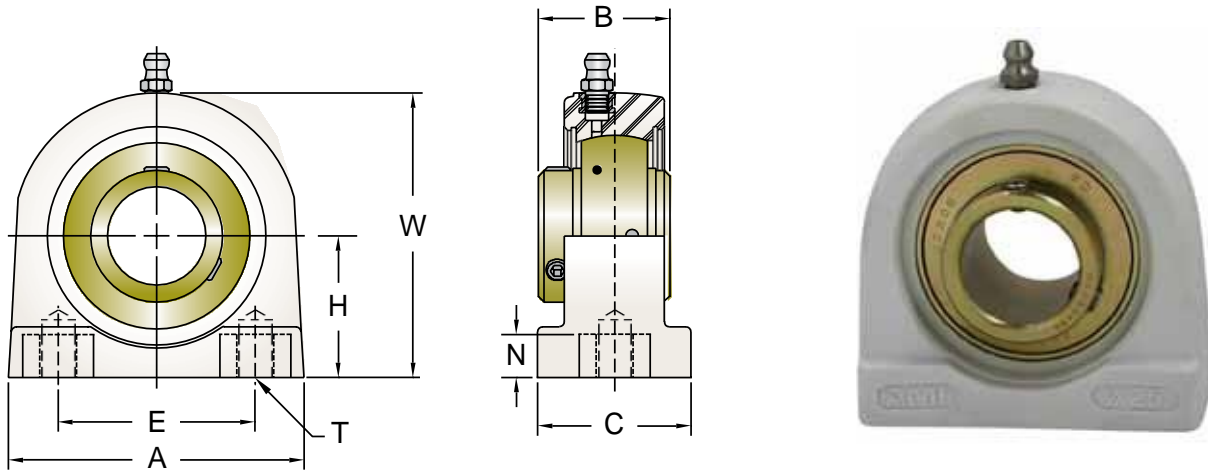
SELECT PLUS



Shaft Dia. (in.)	AMI Unit #	List Price	Dimensions (in.)										Bolt Size (in.)	Bearing #	Housing #	Weight (lb.)	
			H	A	E		C	S	N	G	W	B					
1/2	UCPPL201-8MZ2																0.74
5/8	UCPPL202-10MZ2		1-5/16	5	3-37/64	3-59/64	1-1/2	7/16	35/64	9/16	2-37/64	1.220	3/8	UC202-10MZ2	PPL204	0.70	
3/4	UCPPL204-12MZ2													UC204-12MZ2		0.66	
7/8	UCPPL205-14MZ2		1-7/16	5-1/2	3-61/64	4-19/64	1-1/2	7/16	35/64	37/64	2-3/4	1.339	3/8	UC205-14MZ2	PPL205	0.84	
1	UCPPL205-16MZ2													UC205-16MZ2		0.76	
1-1/16	UCPPL206-17MZ2													UC206-17MZ2		1.28	
1-1/8	UCPPL206-18MZ2												1/2	UC206-18MZ2	PPL206	1.22	
1-3/16	UCPPL206-19MZ2		1-11/16	6-3/8	4-15/32	4-29/32	1-13/16	35/64	23/32	45/64	3-19/64	1.500		UC206-19MZ2		1.18	
1-1/4	UCPPL206-20MZ2													UC206-20MZ2		1.14	
1-1/4	UCPPL207-20MZ2													UC207-20MZ2		1.82	
1-5/16	UCPPL207-21MZ2												1/2	UC207-21MZ2	PPL207	1.76	
1-3/8	UCPPL207-22MZ2		1-7/8	6-39/64	4-25/32	5-7/32	1-7/8	35/64	23/32	23/32	3-23/32	1.689		UC207-22MZ2		1.70	
1-7/16	UCPPL207-23MZ2													UC207-23MZ2		1.62	
1-1/2	UCPPL208-24MZ2		1-15/16	7-1/4	5-5/32	5-19/32	2-1/8	35/64	23/32	25/32	3-57/64	1.937	1/2	UC208-24MZ2	PPL208	2.30	
1-11/16	UCPPL209-27MZ2													UC209-27MZ2	PPL209	2.54	
1-3/4	UCPPL209-28MZ2		2-1/8	7-9/16	5-19/32	5-29/32	2-1/8	43/64	25/32	29/32	4-11/64	1.937	5/8	UC209-28MZ2		2.46	
1-7/8	UCPPL210-30MZ2													UC210-30MZ2		3.08	
1-15/16	UCPPL210-31MZ2		2-1/4	8-1/8	6-3/32	6-13/32	2-3/8	43/64	25/32	29/32	4-1/2	2.031	5/8	UC210-31MZ2	PPL210	2.98	
2	UCPPL210-32MZ2													UC210-32MZ2		2.88	
Dimensions (mm)																	
15	UCPPL202MZ2		33.3	127	91	99	38	11	14	14.2	65.5	31	M10	UC202MZ2	PPL204	0.72	
17	UCPPL203MZ2													UC203MZ2		0.70	
20	UCPPL204MZ2		33.3	127	91	99	38	11	14	14.2	65.5	31	M10	UC204MZ2	PPL204	0.64	
25	UCPPL205MZ2		36.5	140	101	109	38	11	14	14.5	71.0	34	M10	UC205MZ2	PPL205	0.78	
30	UCPPL206MZ2		42.9	162	113	125	46	14	18	17.8	84.0	38.1	M12	UC206MZ2	PPL206	1.18	
35	UCPPL207MZ2		47.6	168	121	133	48	14	18	18	94.5	42.9	M12	UC207MZ2	PPL207	1.70	
40	UCPPL208MZ2		49.2	184	131	143	54	14	18	19.8	99.0	49.2	M12	UC208MZ2	PPL208	2.20	
45	UCPPL209MZ2		54.0	192	142	150	54	17	20	23	106.0	49.2	M16	UC209MZ2	PPL209	2.42	
50	UCPPL210MZ2		57.2	206	155	163	60	17	20	23	114.0	51.6	M16	UC210MZ2	PPL210	2.94	

NOTE: For Thermoplastic units please specify one of the following suffixes after the part number: "W" for a white housing or "B" for a black housing. Lubrication fitting Tap Size 1/4-28 UNF

INTERCHANGES: CPS-Z216 CPB100ZMG



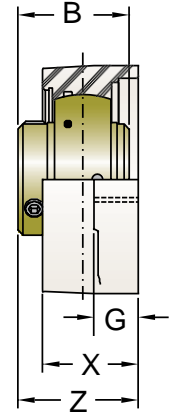
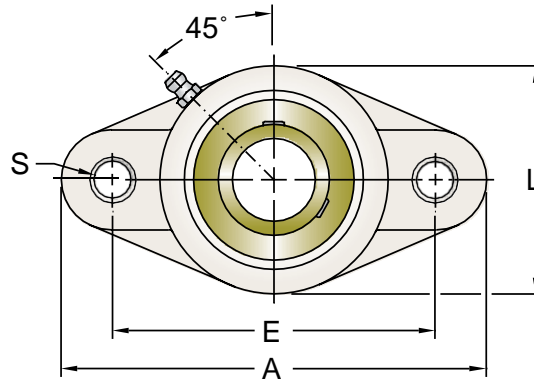
SELECT PLUS

Shaft Dia. (in.)	AMI Unit #	List Price	Dimensions (in.)							Bolt Holes (UNC Thread) T	Bearing #	Housing #	Weight (lb.)		
			H	A	E	C	N	W	B						
1/2	UCTBL201-8MZ2														0.68
5/8	UCTBL202-10MZ2		1-5/16	2-7/8	2	1-23/64	7/16	2-19/32	1.220	3/8-16	UC201-8MZ2	TBL204	0.64		
3/4	UCTBL204-12MZ2										UC202-10MZ2		0.60		
											UC204-12MZ2				
7/8	UCTBL205-14MZ2		1-7/16	3	2	1-9/16	7/16	2-57/64	1.339	3/8-16	UC205-14MZ2	TBL205	0.82		
1	UCTBL205-16MZ2										UC205-16MZ2		0.74		
1-1/16	UCTBL206-17MZ2										UC206-17MZ2		1.22		
1-1/8	UCTBL206-18MZ2		1-11/16	4	3	1-43/64	7/16	3-5/16	1.500	7/16-14	UC206-18MZ2	TBL206	1.16		
1-3/16	UCTBL206-19MZ2										UC206-19MZ2		1.12		
1-1/4	UCTBL206-20MZ2										UC206-20MZ2		1.08		
1-1/4	UCTBL207-20MZ2										UC207-20MZ2		1.80		
1-5/16	UCTBL207-21MZ2		1-7/8	4-3/8	3-1/4	1-7/8	5/8	3-3/4	1.689	1/2-13	UC207-21MZ2	TBL207	1.74		
1-3/8	UCTBL207-22MZ2										UC207-22MZ2		1.68		
1-7/16	UCTBL207-23MZ2										UC207-23MZ2		1.60		
1-1/2	UCTBL208-24MZ2		1-15/16	4-23/32	3-1/2	1-7/8	5/8	3-61/64	1.937	1/2-13	UC208-24MZ2	TBL208	2.16		
1-11/16	UCTBL209-27MZ2		2-1/8	4-7/8	3-3/4	1-31/32	3/4	4-17/64	1.937	1/2-13	UC209-27MZ2	TBL209	2.40		
1-3/4	UCTBL209-28MZ2										UC209-28MZ2		2.32		
Dimensions (mm)															
15	UCTBL202MZ2		33.3	73	50.8	34.5	11.1	66	31.0	3/8-16	UC202MZ2	TBL204	0.66		
17	UCTBL203MZ2										UC203MZ2		0.64		
20	UCTBL204MZ2		33.3	73	50.8	34.5	11.1	66	31.0	3/8-16	UC204MZ2	TBL204	0.58		
25	UCTBL205MZ2		36.5	76.2	50.8	39.7	11.1	73.4	34.0	3/8-16	UC205MZ2	TBL205	0.76		
30	UCTBL206MZ2		42.9	101.6	76.2	42.5	11.1	84	38.1	7/16-14	UC206MZ2	TBL206	1.12		
35	UCTBL207MZ2		47.6	111	82.6	47.6	16.0	95	42.9		UC207MZ2	TBL207	1.68		
40	UCTBL208MZ2		49.2	120	88.9	47.6	16.0	100.4	49.2	1/2-13	UC208MZ2	TBL208	2.06		
45	UCTBL209MZ2		54.0	124	95.3	50	19.0	108.5	49.2		UC209MZ2	TBL209	2.28		

NOTE: For Thermoplastic units please specify one of the following suffixes after the part number: "W" for a white housing or "B" for a black housing. Lubrication fitting Tap Size 1/4-28 UNF

INTERCHANGES: CTBS-Z216 CTB100ZMG

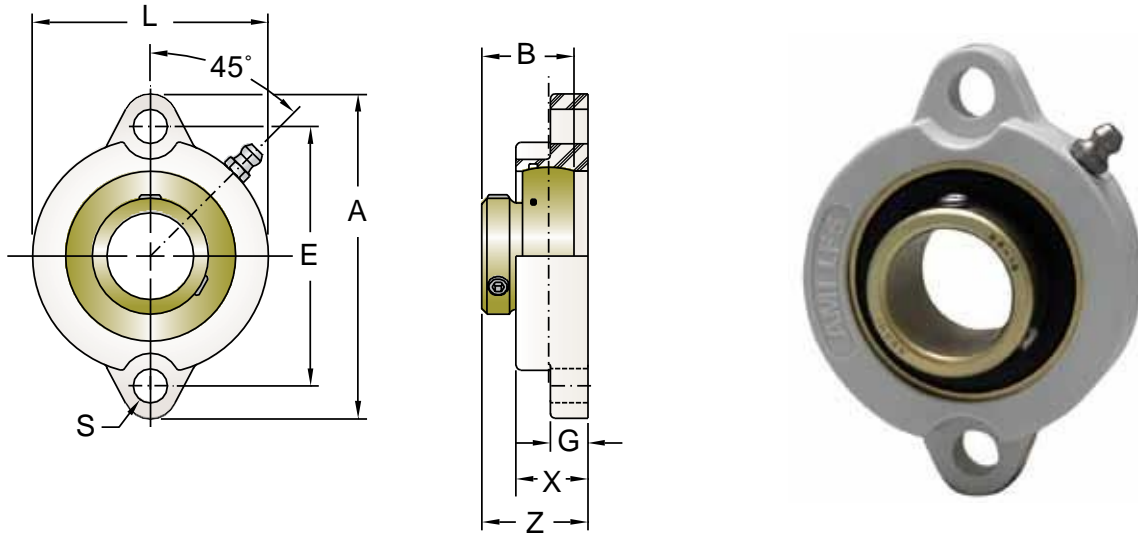
SELECT PLUS



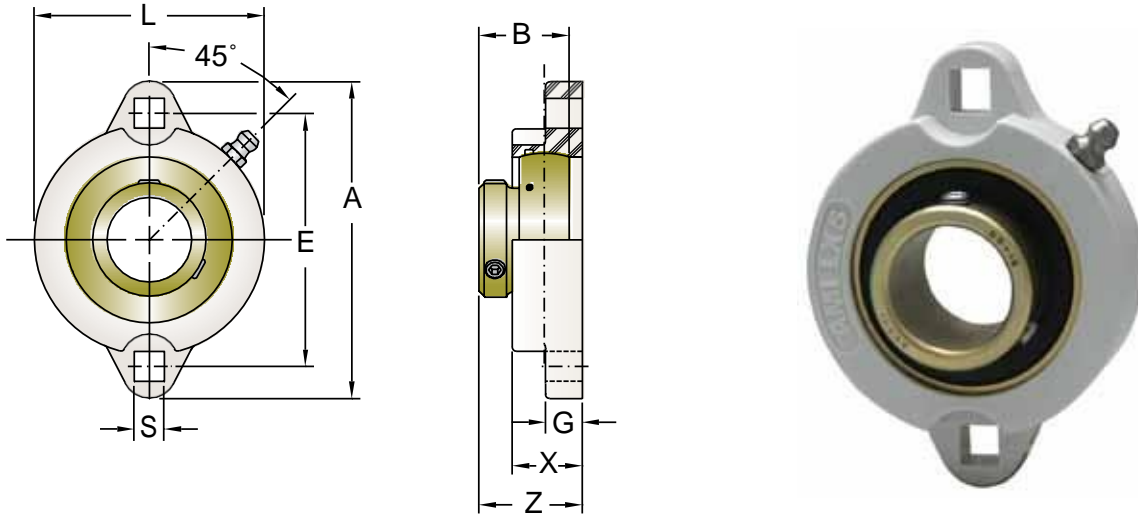
Shaft Dia. (in.)	AMI Unit #	List Price	Dimensions (in.)								Bolt Size (in.)	Bearing #	Housing #	Weight (lb.)
			A	E	G	X	S	L	Z	B				
1/2	UCNFL201-8MZ2											UC201-8MZ2		0.62
5/8	UCNFL202-10MZ2		4-7/16	3-35/64	29/64	1-3/64	7/16	2-1/2	1-21/64	1.220	3/8	UC202-10MZ2	NFL204	0.58
3/4	UCNFL204-12MZ2											UC204-12MZ2		0.54
7/8	UCNFL205-14MZ2		5-1/8	3-57/64	17/32	1-9/64	7/16	2-3/4	1-29/64	1.339	3/8	UC205-14MZ2	NFL205	0.74
1	UCNFL205-16MZ2											UC205-16MZ2		0.66
1-1/16	UCNFL206-17MZ2											UC206-17MZ2		1.06
1-1/8	UCNFL206-18MZ2		5-13/16	4-39/64	33/64	1-13/64	7/16	3-5/32	1-5/8	1.500	3/8	UC206-18MZ2	NFL206	1.00
1-3/16	UCNFL206-19MZ2											UC206-19MZ2		0.96
1-1/4	UCNFL206-20MZ2											UC206-20MZ2		0.92
1-1/4	UCNFL207-20MZ2											UC207-20MZ2		1.56
1-5/16	UCNFL207-21MZ2		6-7/16	5-1/8	41/64	1-19/64	33/64	3-35/64	1-45/64	1.689	1/2	UC207-21MZ2	NFL207	1.50
1-3/8	UCNFL207-22MZ2											UC207-22MZ2		1.44
1-7/16	UCNFL207-23MZ2											UC207-23MZ2		1.36
1-1/2	UCNFL208-24MZ2		6-7/8	5-43/64	25/32	1-31/64	35/64	3-15/16	2-1/32	1.937	1/2	UC208-24MZ2	NFL208	2.04
1-11/16	UCNFL209-27MZ2		7-7/16	5-27/32	53/64	1-39/64	43/64	4-1/4	2-9/64	1.937	5/8	UC209-27MZ2	NFL209	2.28
1-3/4	UCNFL209-28MZ2											UC209-28MZ2		2.20
1-7/8	UCNFL210-30MZ2											UC210-30MZ2		2.66
1-15/16	UCNFL210-31MZ2		7-3/4	6-3/16	53/64	1-11/16	43/64	4-17/32	2-17/64	2.031	5/8	UC210-31MZ2	NFL210	2.56
2	UCNFL210-32MZ2											UC210-32MZ2		2.46
Dimensions (mm)														
15	UCNFL202MZ2		112.7	90	11.4	26.5	11	63.5	33.7	31	M10	UC202MZ2	NFL204	0.60
17	UCNFL203MZ2											UC203MZ2		0.58
20	UCNFL204MZ2		112.7	90	11.4	26.5	11	63.5	33.7	31		UC204MZ2	NFL204	0.52
25	UCNFL205MZ2		130	99	13.5	29.1	11	69.9	36.7	34	M10	UC205MZ2	NFL205	0.68
30	UCNFL206MZ2		148	117	13.3	30.5	11	80	41.2	38.1		UC206MZ2	NFL206	0.96
35	UCNFL207MZ2		164	130	16.1	32.8	13	90	43.4	42.9	M12	UC207MZ2	NFL207	1.44
40	UCNFL208MZ2		174.6	144	20	37.5	14	100	51.7	49.2	M12	UC208MZ2	NFL208	1.94
45	UCNFL209MZ2		188.9	148.5	21	41	17	108	54.2	49.2	M16	UC209MZ2	NFL209	2.16
50	UCNFL210MZ2		197	157	21	43	17	115	57.6	51.6	M16	UC210MZ2	NFL210	2.52

NOTE: For Thermoplastic units please specify one of the following suffixes after the part number: "W" for a white housing or "B" for a black housing. Lubrication fitting Tap Size 1/4-28 UNF

INTERCHANGES: CF2S-Z216 C2F100ZMG



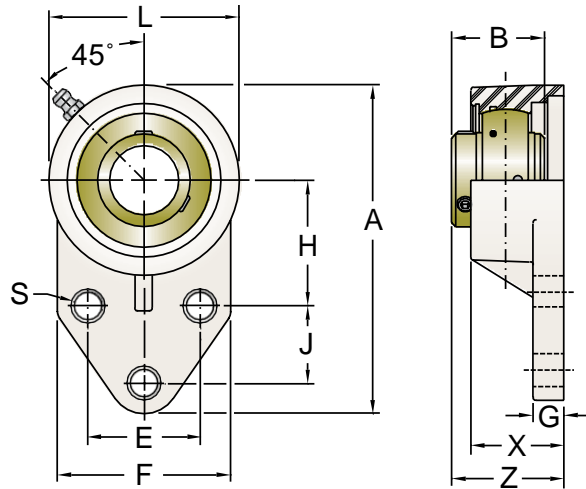
Shaft Dia. (in.)	AMI Unit #	List Price	Dimensions (in.)								Bolt Size (in.)	Bearing #	Housing #	Weight (lb.)
			A	E	G	X	S	L	Z	B				
1/2	BLF1-8MZ2		3-3/16	2-1/2	25/64	45/64	9/32	2-13/64	1	0.866	1/4	B1-8MZ2	LF203	0.30
5/8	BLF2-10MZ2		3-3/16	2-1/2	25/64	45/64	9/32	2-13/64	1	0.866	1/4	B2-10MZ2	LF203	0.28
3/4	BLF4-12MZ2		3-35/64	2-13/16	7/16	25/32	25/64	2-31/64	1-9/64	0.972	5/16	B4-12MZ2	LF204	0.40
1	BLF5-16MZ2		3-3/4	3	7/16	53/64	25/64	2-23/32	1-7/32	1.063	5/16	B5-16MZ2	LF205	0.46



Shaft Dia. (in.)	AMI Unit #	List Price	Dimensions (in.)								Bolt Size (in.)	Bearing #	Housing #	Weight (lb.)
			A	E	G	X	S	L	Z	B				
1/2	BLX1-8MZ2		3-3/16	2-1/2	25/64	45/64	9/32	2-13/64	1	0.866	1/4	B1-8MZ2	LX203	0.30
5/8	BLX2-10MZ2		3-3/16	2-1/2	25/64	45/64	9/32	2-13/64	1	0.866	1/4	B2-10MZ2	LX203	0.28
3/4	BLX4-12MZ2		3-35/64	2-13/16	7/16	25/32	23/64	2-31/64	1-9/64	0.972	5/16	B4-12MZ2	LX204	0.40
1	BLX5-16MZ2		3-3/4	3	7/16	53/64	23/64	2-23/32	1-7/32	1.063	5/16	B5-16MZ2	LX205	0.46

NOTE: For Thermoplastic units please specify one of the following suffixes after the part number: "W" for a white housing or "B" for a black housing. Lubrication fitting Tap Size 1/4-28 UNF

INTERCHANGES: AMI EXCLUSIVE



Shaft Dia. (in.)	AMI Unit #	List Price	Dimensions (in.)											Bolt Size (in.)	Bearing #	Housing #	Weight (lb.)		
			A	H	E	J	G	X	S	L	F	Z	B						
1/2	UCFBL201-8MZ2																UC201-8MZ2	FBL204	0.64
5/8	UCFBL202-10MZ2		4-1/4	1-11/16	1-1/2	7/8	29/64	1	27/64	2-1/2	2-7/16	1-21/64	1.220	3/8		UC202-10MZ2	FBL204	0.60	
3/4	UCFBL204-12MZ2															UC204-12MZ2	FBL204	0.56	
7/8	UCFBL205-14MZ2		4-3/4	1-13/16	1-5/8	1-1/8	29/64	1-11/32	27/64	2-3/4	2-1/2	1-5/8	1.339	3/8		UC205-14MZ2	FBL205	0.76	
1	UCFBL205-16MZ2															UC205-16MZ2	FBL205	0.68	
1-1/16	UCFBL206-17MZ2															UC206-17MZ2	FBL206	1.16	
1-1/8	UCFBL206-18MZ2		5-29/64	2-1/16	1-7/8	1-1/4	33/64	1-1/4	27/64	3-1/4	3	1-41/64	1.500	3/8		UC206-18MZ2	FBL206	1.10	
1-3/16	UCFBL206-19MZ2															UC206-19MZ2	FBL206	1.06	
1-1/4	UCFBL206-20MZ2															UC206-20MZ2	FBL206	1.02	
1-1/4	UCFBL207-20MZ2															UC207-20MZ2	FBL207	1.72	
1-5/16	UCFBL207-21MZ2		6-3/16	2-3/8	2	1-1/4	41/64	1-7/16	33/64	3-3/4	3-1/2	1-55/64	1.689	1/2		UC207-21MZ2	FBL207	1.66	
1-3/8	UCFBL207-22MZ2															UC207-22MZ2	FBL207	1.60	
1-7/16	UCFBL207-23MZ2															UC207-23MZ2	FBL207	1.52	
Dimensions (mm)																			
15	UCFBL202MZ2		108	42.9	38.1	22.2	11.4	25.4	10.7	63.5	62	33.7	31	M10		UC202MZ2	FBL204	0.62	
17	UCFBL203MZ2															UC203MZ2	FBL204	0.60	
20	UCFBL204MZ2		108	42.9	38.1	22.2	11.4	25.4	10.7	63.5	62	33.7	31			UC204MZ2	FBL204	0.54	
25	UCFBL205MZ2		120.6	46	41.3	28.6	11.4	34	10.7	70	63.5	41.2	34	M10		UC205MZ2	FBL205	0.70	
30	UCFBL206MZ2		138.5	52.4	47.6	31.8	13.3	31.8	10.7	83	76	41.5	38.1			UC206MZ2	FBL206	1.06	
35	UCFBL207MZ2		157	60.3	50.8	31.8	16.1	36.5	13.1	95	89	47.1	42.9	M12		UC207MZ2	FBL207	1.60	

NOTE: For Thermoplastic units please specify one of the following suffixes after the part number: "W" for a white housing or "B" for a black housing. Lubrication fitting Tap Size 1/4-28 UNF

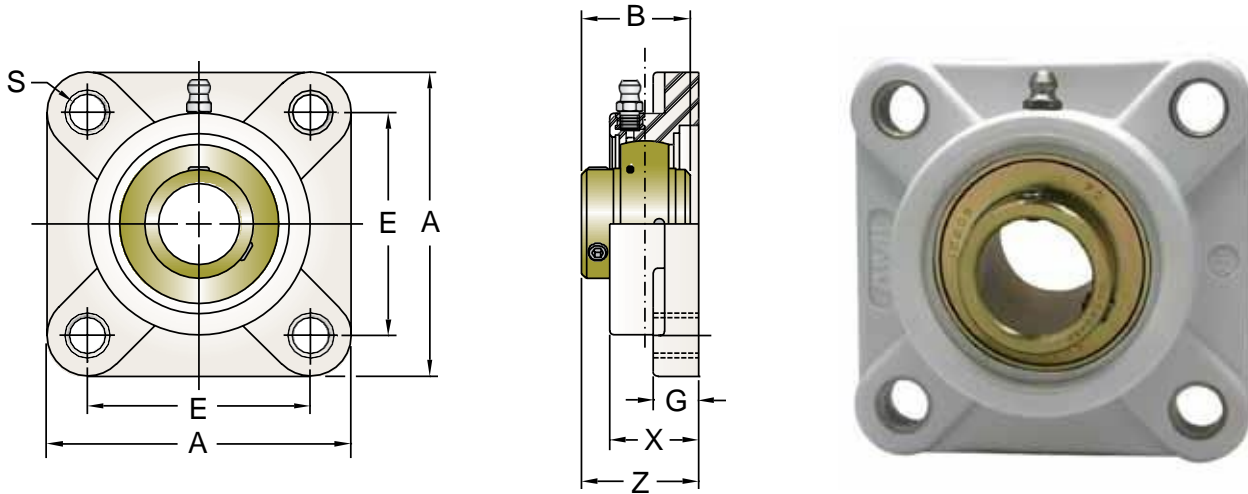
INTERCHANGES: CBF100ZMG

FOUR-BOLT FLANGE UNITS

Zinc Insert detail-pg. 83 • RF Patent Seal-pg. 90 • Shur-Seal-pg. 56

UCFPL 200MZ2

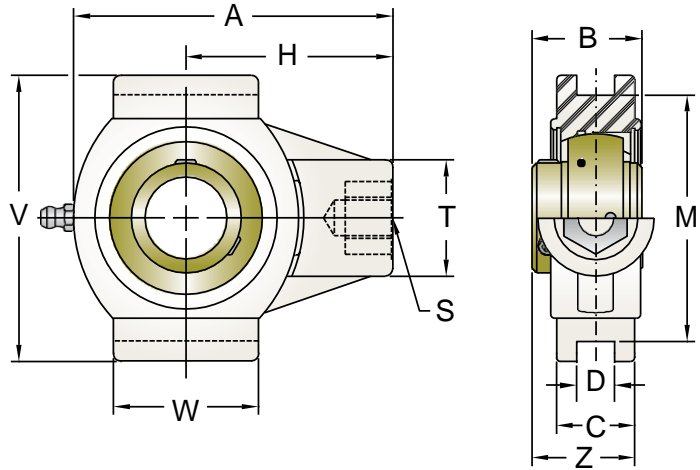
SELECT PLUS



Shaft Dia. (in.)	AMI Unit #	List Price	Dimensions (in.)							Bolt Size (in.)	Bearing #	Housing #	Weight (lb.)
			A	E	G	X	S	Z	B				
1/2	UCFPL201-8MZ2										UC201-8MZ2		0.74
5/8	UCFPL202-10MZ2		3-3/8	2-1/2	17/32	1-3/32	7/16	1-27/64	1.220	3/8	UC202-10MZ2	FPL204	0.70
3/4	UCFPL204-12MZ2										UC204-12MZ2		0.66
7/8	UCFPL205-14MZ2		3-3/4	2-3/4	9/16	1-7/64	7/16	1-29/64	1.339	3/8	UC205-14MZ2	FPL205	0.84
1	UCFPL205-16MZ2										UC205-16MZ2		0.76
1-1/16	UCFPL206-17MZ2										UC206-17MZ2		1.22
1-1/8	UCFPL206-18MZ2		4-1/4	3-1/4	9/16	1-1/4	7/16	1-5/8	1.500	3/8	UC206-18MZ2	FPL206	1.16
1-3/16	UCFPL206-19MZ2										UC206-19MZ2		1.12
1-1/4	UCFPL206-20MZ2										UC206-20MZ2		1.08
1-1/4	UCFPL207-20MZ2										UC207-20MZ2		1.78
1-5/16	UCFPL207-21MZ2		4-5/8	3-5/8	39/64	1-3/8	33/64	1-27/32	1.689	1/2	UC207-21MZ2	FPL207	1.72
1-3/8	UCFPL207-22MZ2										UC207-22MZ2		1.66
1-7/16	UCFPL207-23MZ2										UC207-23MZ2		1.58
1-1/2	UCFPL208-24MZ2		5-1/8	4	43/64	1-15/32	35/64	2-3/32	1.937	1/2	UC208-24MZ2	FPL208	2.28
1-11/16	UCFPL209-27MZ2		5-3/8	4-1/8	3/4	1-39/64	43/64	2-9/64	1.937	5/8	UC209-27MZ2	FPL209	2.56
1-3/4	UCFPL209-28MZ2										UC209-28MZ2		2.48
1-7/8	UCFPL210-30MZ2										UC210-30MZ2		3.00
1-15/16	UCFPL210-31MZ2		5-5/8	4-3/8	53/64	1-11/16	43/64	2-17/64	2.031	5/8	UC210-31MZ2	FPL210	2.90
2	UCFPL210-32MZ2										UC210-32MZ2		2.80
Dimensions (mm)													
15	UCFPL202MZ2		86	63.5	13.4	27.8	11	36.3	31	M10	UC202MZ2	FPL204	0.72
17	UCFPL203MZ2										UC203MZ2		0.70
20	UCFPL204MZ2		86	63.5	13.4	27.8	11	36.3	31		UC204MZ2	FPL204	0.64
25	UCFPL205MZ2		95	70	14.3	28	11	36.7	34	M10	UC205MZ2	FPL205	0.78
30	UCFPL206MZ2		108	83	14.3	31.7	11	41.4	38.1		UC206MZ2	FPL206	1.12
35	UCFPL207MZ2		118	92	15.5	34.8	13	46.9	42.9	M12	UC207MZ2	FPL207	1.66
40	UCFPL208MZ2		130	102	17	37.5	14	53.2	49.2	M12	UC208MZ2	FPL208	2.18
45	UCFPL209MZ2		137	105	19	41	17	54.2	49.2	M16	UC209MZ2	FPL209	2.44
50	UCFPL210MZ2		143	111	21	43	17	57.6	51.6	M16	UC210MZ2	FPL210	2.86

NOTE: For Thermoplastic units please specify one of the following suffixes after the part number: "W" for a white housing or "B" for a black housing. Lubrication fitting Tap Size 1/4-28 UNF

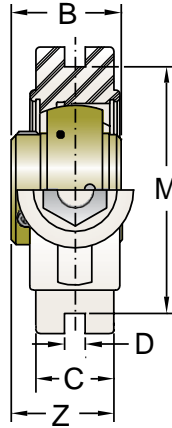
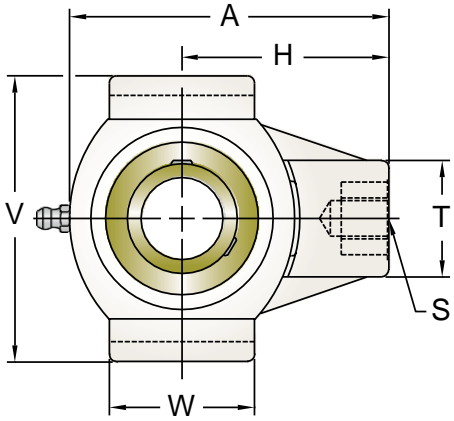
INTERCHANGES: **CF4S-Z216** | **C4F100ZMG**



Shaft Dia. (in.)	AMI Unit #	List Price	Dimensions (in.)											Bearing #	Housing #	Weight (lb.)		
			A	C	D	H	M	T	V	W	B	Z	S					
1/2	UCTPL201-8MZZ															UC201-8MZZ	TPL204	0.84
5/8	UCTPL202-10MZZ		3-57/64	61/64	15/32	2-33/64	3	1-27/64	3-31/64	1-49/64	1.220	1-13/64	1/2-13UNC	UC202-10MZZ	TPL204	0.80		
3/4	UCTPL204-12MZZ														UC204-12MZZ		0.76	
7/8	UCTPL205-14MZZ		3-57/64	61/64	15/32	2-33/64	3	1-27/64	3-31/64	1-49/64	1.339	1-1/4	1/2-13UNC	UC205-14MZZ	TPL205	0.88		
1	UCTPL205-16MZZ														UC205-16MZZ		0.80	
1-1/16	UCTPL206-17MZZ														UC206-17MZZ		1.48	
1-1/8	UCTPL206-18MZZ														UC206-18MZZ	TPL206	1.42	
1-3/16	UCTPL206-19MZZ		4-59/64	1-11/64	15/32	3	3-1/2	1-37/64	4-1/64	2-7/16	1.500	1-29/64	5/8-11UNC	UC206-19MZZ		1.38		
1-1/4	UCTPL206-20MZZ														UC206-20MZZ		1.34	
1-1/4	UCTPL207-20MZZ														UC207-20MZZ		1.76	
1-5/16	UCTPL207-21MZZ		4-59/64	1-11/64	15/32	3	3-1/2	1-37/64	4-1/64	2-7/16	1.689	1-19/32	5/8-11UNC	UC207-21MZZ	TPL207	1.70		
1-3/8	UCTPL207-22MZZ														UC207-22MZZ		1.64	
1-7/16	UCTPL207-23MZZ														UC207-23MZZ		1.56	
1-1/2	UCTPL208-24MZZ		5-33/64	1-17/64	5/8	3-11/32	4-1/64	1-37/64	4-31/64	3-7/64	1.937	1-53/64	5/8-11UNC	UC208-24MZZ	TPL208	2.22		
Dimensions (mm)																		
15	UCTPL202MZZ		99	24.2	12	64	76	36	88.5	45	31	30.4	1/2-13UNC	UC202MZZ	TPL204	0.82		
17	UCTPL203MZZ													UC203MZZ		0.80		
20	UCTPL204MZZ		99	24.2	12	64	76	36	88.5	45	31	30.4	1/2-13UNC	UC204MZZ	TPL204	0.74		
25	UCTPL205MZZ		99	24.2	12	64	76	36	88.5	45	34	31.8	1/2-13UNC	UC205MZZ	TPL205	0.82		
30	UCTPL206MZZ		125	29.8	12	76	89	40	102	62	38.1	37.1	5/8-11UNC	UC206MZZ	TPL206	1.38		
35	UCTPL207MZZ		125	29.8	12	76	89	40	102	62	42.9	40.3	5/8-11UNC	UC207MZZ	TPL207	1.64		
40	UCTPL208MZZ		140	32.1	16	85	102	40	114	79	49.2	46.3	5/8-11UNC	UC208MZZ	TPL208	2.12		

NOTE: For Thermoplastic units please specify one of the following suffixes after the part number: "W" for a white housing or "B" for a black housing. Lubrication fitting Tap Size 1/4-28 UNF

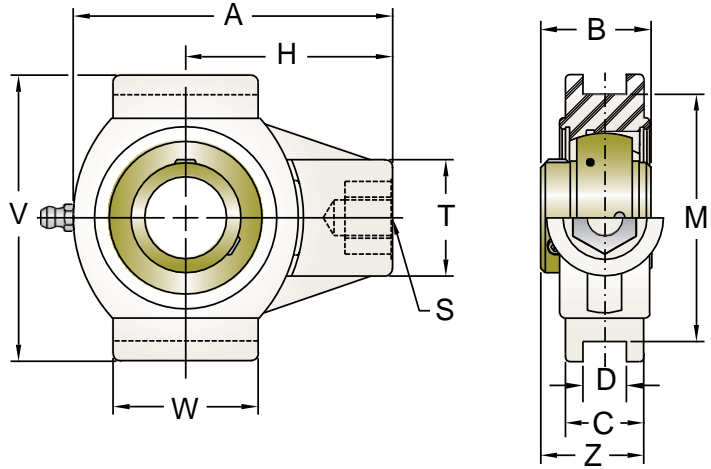
INTERCHANGES: AMI EXCLUSIVE



Shaft Dia. (in.)	AMI Unit #	List Price	Dimensions (in.)											Bearing #	Housing #	Weight (lb.)		
			A	C	D	H	M	T	V	W	B	Z	S					
1/2	UCNTPL201-8MZ2															UC201-8MZ2		0.86
5/8	UCNTPL202-10MZ2		3-57/64	61/64	1/4	2-33/64	3	1-27/64	3-31/64	1-49/64	1.220	1-13/64	1/2-13UNC	UC202-10MZ2	NTPL204	0.82		
3/4	UCNTPL204-12MZ2														UC204-12MZ2		0.78	
7/8	UCNTPL205-14MZ2		3-57/64	61/64	1/4	2-33/64	3	1-27/64	3-31/64	1-49/64	1.339	1-1/4	1/2-13UNC	UC205-14MZ2	NTPL205	0.88		
1	UCNTPL205-16MZ2														UC205-16MZ2		0.80	
1-1/16	UCNTPL206-17MZ2														UC206-17MZ2		1.52	
1-1/8	UCNTPL206-18MZ2		4-59/64	1-11/64	1/4	3	3-1/2	1-37/64	4-1/64	2-7/16	1.500	1-29/64	5/8-11UNC	UC206-18MZ2	NTPL206	1.46		
1-3/16	UCNTPL206-19MZ2														UC206-19MZ2		1.42	
1-1/4	UCNTPL206-20MZ2														UC206-20MZ2		1.38	
1-1/4	UCNTPL207-20MZ2														UC207-20MZ2		1.80	
1-5/16	UCNTPL207-21MZ2		4-59/64	1-11/64	1/4	3	3-1/2	1-37/64	4-1/64	2-7/16	1.689	1-19/32	5/8-11UNC	UC207-21MZ2	NTPL207	1.74		
1-3/8	UCNTPL207-22MZ2														UC207-22MZ2		1.68	
1-7/16	UCNTPL207-23MZ2														UC207-23MZ2		1.60	
1-1/2	UCNTPL208-24MZ2		5-33/64	1-17/64	1/4	3-11/32	4-1/64	1-37/64	4-31/64	3-7/64	1.937	1-53/64	5/8-11UNC	UC208-24MZ2	NTPL208	2.26		
Dimensions (mm)																		
15	UCNTPL202MZ2		99	24.2	6.4	64	76	36	88.5	45	31	30.4	1/2-13UNC	UC202MZ2	NTPL204	0.84		
17	UCNTPL203MZ2													UC203MZ2		0.82		
20	UCNTPL204MZ2		99	24.2	6.4	64	76	36	88.5	45	31	30.4	1/2-13UNC	UC204MZ2	NTPL204	0.76		
25	UCNTPL205MZ2		99	24.2	6.4	64	76	36	88.5	45	34	31.8	1/2-13UNC	UC205MZ2	NTPL205	0.82		
30	UCNTPL206MZ2		125	29.8	6.4	76	89	40	102	62	38.1	37.1	5/8-11UNC	UC206MZ2	NTPL206	1.42		
35	UCNTPL207MZ2		125	29.8	6.4	76	89	40	102	62	42.9	40.3	5/8-11UNC	UC207MZ2	NTPL207	1.68		
40	UCNTPL208MZ2		140	32.1	6.4	85	102	40	114	79	49.2	46.3	5/8-11UNC	UC208MZ2	NTPL208	2.16		

NOTE: For Thermoplastic units please specify one of the following suffixes after the part number: "W" for a white housing or "B" for a black housing. Lubrication fitting Tap Size 1/4-28 UNF

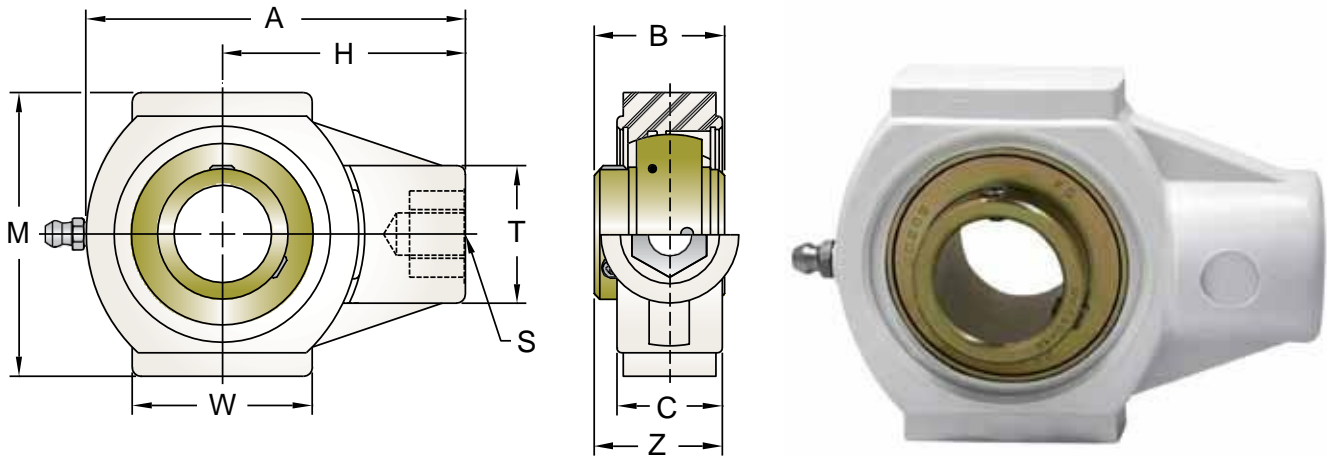
INTERCHANGES: UCTRS205-16S7PL CTN100ZM



Shaft Dia. (in.)	AMI Unit #	List Price	Dimensions (in.)													#	#	(lb.)	
			A	C	D	H	M	T	V	W	B	Z	S						
1/2	UCWTPL201-8MZ2																UC201-8MZ2		0.84
5/8	UCWTPL202-10MZ2		3-57/64	61/64	17/32	2-33/64	3	1-27/64	3-31/64	1-49/64	1.220	1-13/64	1/2-13UNC	UC202-10MZ2	WTPL204	0.80			
3/4	UCWTPL204-12MZ2													UC204-12MZ2		0.76			
7/8	UCWTPL205-14MZ2		3-57/64	61/64	17/32	2-33/64	3	1-27/64	3-31/64	1-49/64	1.339	1-1/4	1/2-13UNC	UC205-14MZ2	WTPL205	0.86			
1	UCWTPL205-16MZ2													UC205-16MZ2		0.78			
1-1/16	UCWTPL206-17MZ2													UC206-17MZ2		1.48			
1-1/8	UCWTPL206-18MZ2													UC206-18MZ2	WTPL206	1.42			
1-3/16	UCWTPL206-19MZ2		4-59/64	1-11/64	17/32	3	3-1/2	1-37/64	4-1/64	2-7/16	1.500	1-29/64	5/8-11UNC	UC206-19MZ2		1.38			
1-1/4	UCWTPL206-20MZ2													UC206-20MZ2		1.34			
1-1/4	UCWTPL207-20MZ2													UC207-20MZ2		1.76			
1-5/16	UCWTPL207-21MZ2		4-59/64	1-11/64	17/32	3	3-1/2	1-37/64	4-1/64	2-7/16	1.689	1-19/32	5/8-11UNC	UC207-21MZ2	WTPL207	1.70			
1-3/8	UCWTPL207-22MZ2													UC207-22MZ2		1.64			
1-7/16	UCWTPL207-23MZ2													UC207-23MZ2		1.56			
1-1/2	UCWTPL208-24MZ2		5-33/64	1-17/64	11/16	3-11/32	4-1/64	1-37/64	4-31/64	3-7/64	1.937	1-53/64	5/8-11UNC	UC208-24MZ2	WTPL208	2.22			
Dimensions (mm)																			
15	UCWTPL202MZ2		99	24.2	13.5	64	76	36	88.5	45	31	30.4	1/2-13UNC	UC202MZ2	WTPL204	0.82			
17	UCWTPL203MZ2													UC203MZ2		0.80			
20	UCWTPL204MZ2		99	24.2	13.5	64	76	36	88.5	45	31	30.4	1/2-13UNC	UC204MZ2	WTPL204	0.74			
25	UCWTPL205MZ2		99	24.2	13.5	64	76	36	88.5	45	34	31.8	1/2-13UNC	UC205MZ2	WTPL205	0.80			
30	UCWTPL206MZ2		125	29.8	13.5	76	89	40	102	62	38.1	37.1	5/8-11UNC	UC206MZ2	WTPL206	1.38			
35	UCWTPL207MZ2		125	29.8	13.5	76	89	40	102	62	42.9	40.3	5/8-11UNC	UC207MZ2	WTPL207	1.64			
40	UCWTPL208MZ2		140	32.1	17.5	85	102	40	114	79	49.2	46.3	5/8-11UNC	UC208MZ2	WTPL208	2.12			

NOTE: For Thermoplastic units please specify one of the following suffixes after the part number: "W" for a white housing or "B" for a black housing. Lubrication fitting Tap Size 1/4-28 UNF

INTERCHANGES: UCT205-16S7PL CTW100ZM



Shaft Dia. (in.)	AMI Unit #	List Price	Dimensions (in.)									Bearing #	Housing #	Weight (lb.)	
			A	C	H	M	T	W	B	Z	S				
1/2	UCHPL201-8MZ2												UC201-8MZ2		0.78
5/8	UCHPL202-10MZ2		3-57/64	1-5/64	2-1/2	2-9/16	1-27/64	1-27/32	1.220	1-17/64	1/2-13UNC	UC202-10MZ2	HPL204	0.74	
3/4	UCHPL204-12MZ2											UC204-12MZ2		0.70	
7/8	UCHPL205-14MZ2		3-57/64	1-5/64	2-1/2	2-29/32	1-27/64	1-27/32	1.339	1-5/16	1/2-13UNC	UC205-14MZ2	HPL205	0.84	
1	UCHPL205-16MZ2											UC205-16MZ2		0.76	
1-1/16	UCHPL206-17MZ2											UC206-17MZ2		1.44	
1-1/8	UCHPL206-18MZ2		4-59/64	1-23/64	3	3-1/2	1-37/64	2-1/2	1.500	1-35/64	5/8-11UNC	UC206-18MZ2	HPL206	1.38	
1-3/16	UCHPL206-19MZ2											UC206-19MZ2		1.34	
1-1/4	UCHPL206-20MZ2											UC206-20MZ2		1.30	
1-1/4	UCHPL207-20MZ2											UC207-20MZ2		1.74	
1-5/16	UCHPL207-21MZ2		4-59/64	1-23/64	3	3-1/2	1-37/64	2-1/2	1.689	1-43/64	5/8-11UNC	UC207-21MZ2	HPL207	1.68	
1-3/8	UCHPL207-22MZ2											UC207-22MZ2		1.62	
1-7/16	UCHPL207-23MZ2											UC207-23MZ2		1.54	
Dimensions (mm)															
15	UCHPL202MZ2		99	27.5	63.5	65	36	47	31.0	32.1	1/2-13UNC	UC202MZ2	HPL204	0.76	
17	UCHPL203MZ2											UC203MZ2		0.74	
20	UCHPL204MZ2		99	27.5	63.5	65	36	47	31.0	32.1	1/2-13UNC	UC204MZ2	HPL204	0.68	
25	UCHPL205MZ2		99	27.5	63.5	74	36	47	34.0	33.5	1/2-13UNC	UC205MZ2	HPL205	0.78	
30	UCHPL206MZ2		125	34.5	76	88.9	40	63.5	38.1	39.4	5/8-11UNC	UC206MZ2	HPL206	1.34	
35	UCHPL207MZ2		125	34.5	76	88.9	40	63.5	42.9	42.6	5/8-11UNC	UC207MZ2	HPL207	1.62	

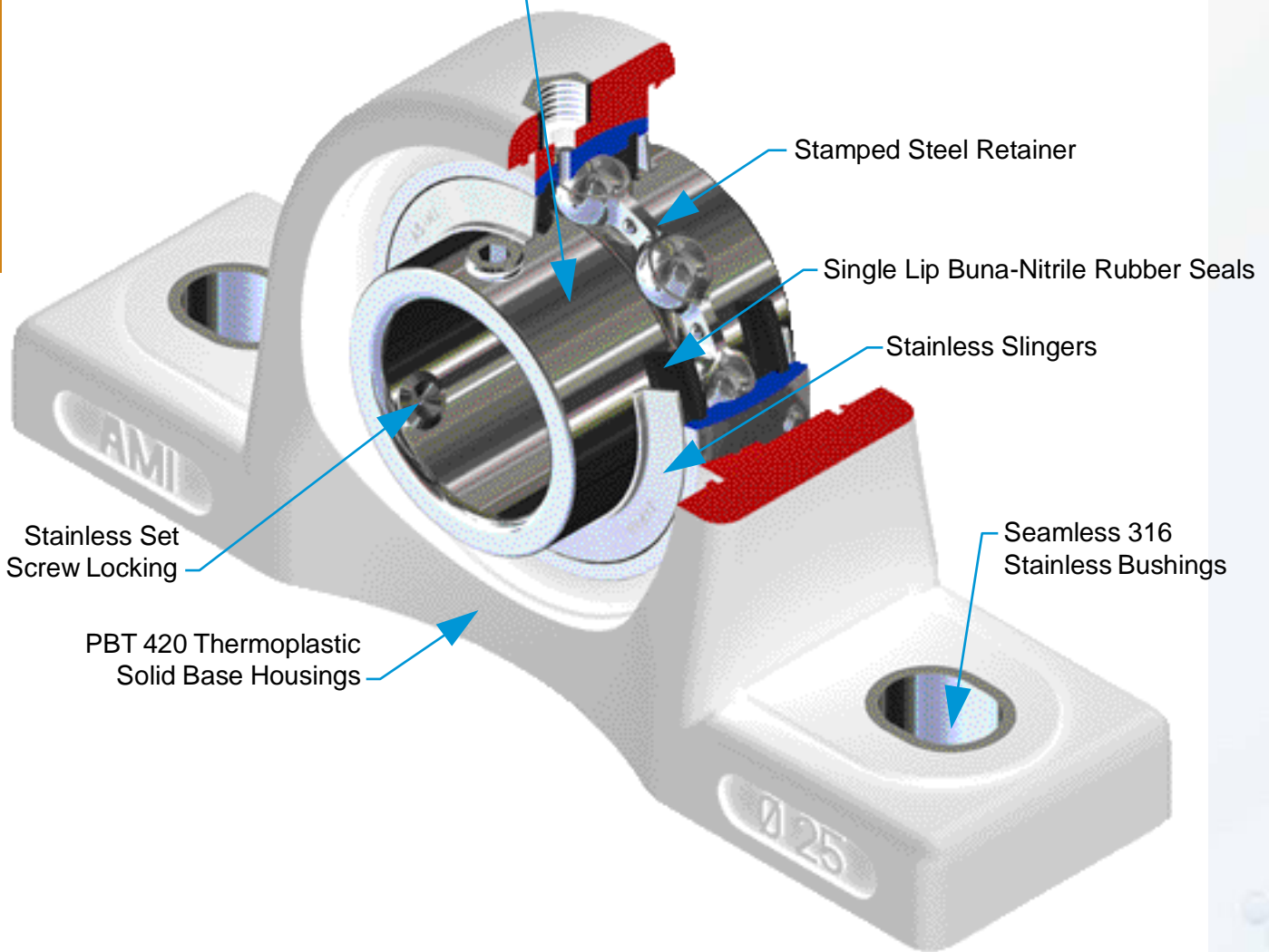
NOTE: For Thermoplastic units please specify one of the following suffixes after the part number: "W" for a white housing or "B" for a black housing. Lubrication fitting Tap Size 1/4-28 UNF

INTERCHANGES: UCHA205-16S7PL

CHOICE SERIES

(Set Screw Locking Kanigen Corrosion Resistant Bearing Insert in Thermoplastic Housing)

Kanigen Corrosion Resistant AISI 52100
Steel Inner and Outer Bearing Rings

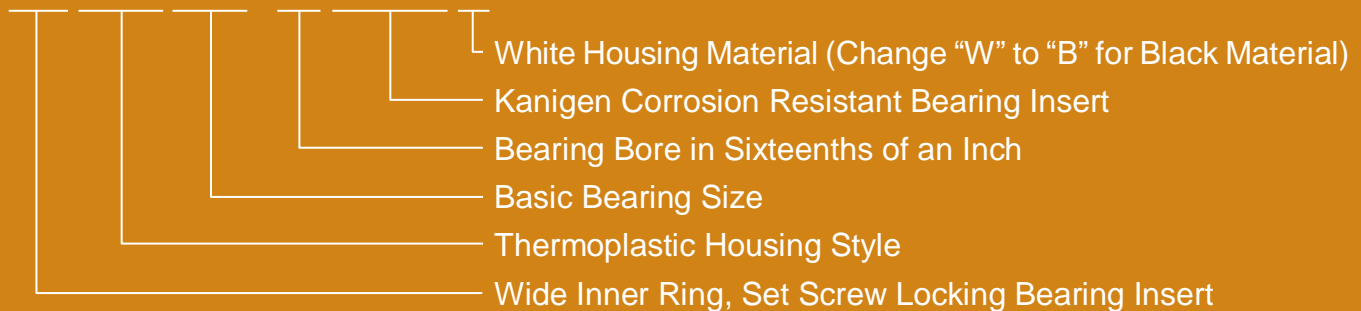


CHOICE

NOTE: Kanigen inserts are also available with Nickel Corrosion Resistant Housings. Contact us for pricing and availability.

Bore Size Range Availability: 1/2" to 2"

UC PPL 205 -16 MZ 20 W



Normal Duty • Wide Inner Ring • 0°F ~ 212°F • H1 Approved Food Grade Grease

CHOICE SERIES

(Set Screw Locking Kanigen Corrosion Resistant Bearing Insert in Thermoplastic Housing)



UCPPL200MZ20



UCTBL200MZ20



UCNFL200MZ20



UCFBL200MZ20

AMI Unit Type		UCPPL200MZ20 (Pillow Block)	UCTBL200MZ20 (Tapped Base Pillow Block)	UCNFL200MZ20 (2-Bolt Flange)	UCFBL200MZ20 (3-Bolt Flange Bracket)	UCFPL200MZ20 (4-Bolt Flange)	UCTPL200MZ20 (Take-Up)	UCNTPL200MZ20 (Narrow Take-Up)	UCWTP200MZ20 (Wide Take-Up)	UCHPL200MZ20 (Hanger)	
Shaft Dia.	Size	AMI List Price									
1/2	201-8	164.00	208.40	164.00	153.70	164.00	208.40	208.40	208.40	208.40	
5/8	202-10	164.00	208.40	164.00	153.70	164.00	208.40	208.40	208.40	208.40	
3/4	204-12	164.00	208.40	164.00	153.70	164.00	208.40	208.40	208.40	208.40	
1	205-16	176.75	213.10	176.75	198.75	176.75	213.10	213.10	213.10	213.10	
1-3/16	206-19	208.30	238.60	208.30	212.40	208.30	238.60	238.60	238.60	238.60	
1-1/4	206-20	208.30	238.60	208.30	212.40	208.30	238.60	238.60	238.60	238.60	
1-1/4	207-20	256.00	292.70	256.00	226.50	256.00	292.70	292.70	292.70	292.70	
1-3/8	207-22	256.00	292.70	256.00	226.50	256.00	292.70	292.70	292.70	292.70	
1-7/16	207-23	256.00	292.70	256.00	226.50	256.00	292.70	292.70	292.70	292.70	
1-1/2	208-24	295.90	325.20	295.90	-	295.90	325.20	325.20	325.20	-	
1-11/16	209-27	331.75	328.75	331.75	-	331.75	-	-	-	-	
1-3/4	209-28	331.75	328.75	331.75	-	331.75	-	-	-	-	
1-15/16	210-31	379.70	-	379.70	-	379.70	-	-	-	-	
2	210-32	379.70	-	379.70	-	379.70	-	-	-	-	
Dimensions (by page number)		24	25	26	28	29	30	31	32	33	

NOTE: For Thermoplastic units please specify one of the following suffixes after the part number: "W" for a white housing or "B" for a black housing. Lubrication fitting Tap Size 1/4-28 UNF



UCFPL200MZ20



UCTPL200MZ20



UCNTPL200MZ20
(Narrow)
UCWTP200MZ20
(Wide)



UCHPL200MZ20

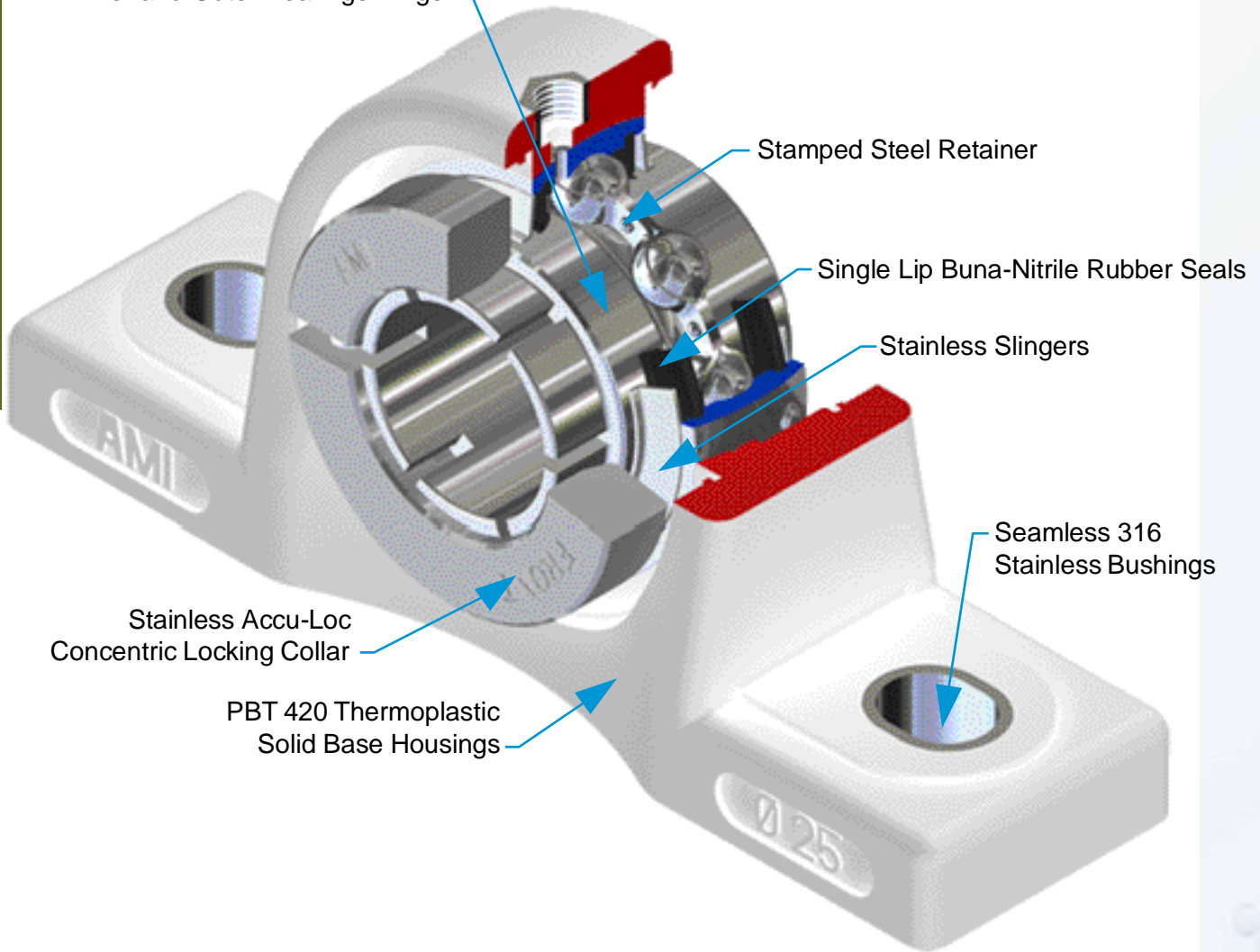
CHOICE

CHOICE EXTRA SERIES

(Accu-Loc Locking Kanigen Corrosion Resistant Bearing Insert in Thermoplastic Housing)

Kanigen Corrosion Resistant AISI 52100
Inner and Outer Bearings Rings

CHOICE EXTRA



Stamped Steel Retainer

Single Lip Buna-Nitrile Rubber Seals

Stainless Slingers

Seamless 316
Stainless Bushings

Stainless Accu-Loc
Concentric Locking Collar

PBT 420 Thermoplastic
Solid Base Housing

Bore Size Range Availability: 3/4" to 1-1/2"

UE PPL 205 -16 MZ 20 W

White Housing Material (Change "W" to "B" for Black Material)

Kanigen Corrosion Resistant Bearing Insert

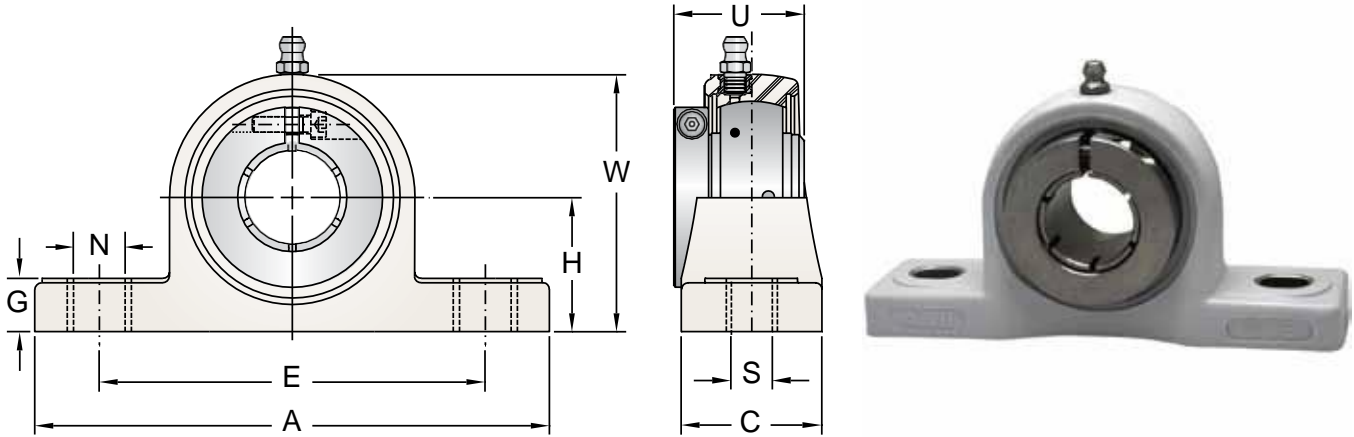
Bearing Bore in Sixteenths of an Inch

Basic Bearing Size

Thermoplastic Housing Style

Wide Inner Ring, Accu-Loc Locking Bearing Insert

Normal Duty • Wide Inner Ring • 0°F ~ 212°F • H1 Approved Food Grade Grease

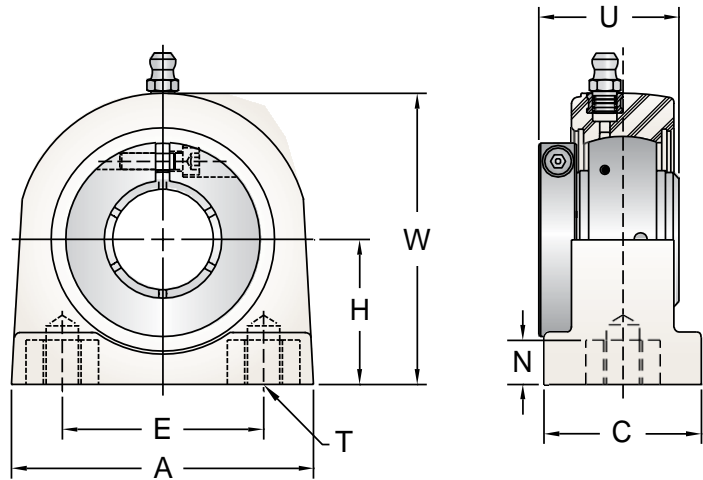


CHOICE EXTRA

Shaft Dia. (in.)	AMI Unit #	List Price	H	A	E		C	S	N	G	W	U	Bolt Size (in.)	Bearing #	Housing #	Weight (lb.)
					Min.	Max.										
3/4	UEPPL204-12MZ20		1-5/16	5	3-37/64	3-59/64	1-1/2	7/16	35/64	9/16	2-37/64	1.299	3/8	UE204-12MZ20	PPL204	0.80
1	UEPPL205-16MZ20		1-7/16	5-1/2	3-61/64	4-19/64	1-1/2	7/16	35/64	37/64	2-3/4	1.394	3/8	UE205-16MZ20	PPL205	0.90
1-3/16	UEPPL206-19MZ20		1-11/16	6-3/8	4-15/32	4-29/32	1-13/16	35/64	23/32	45/64	3-19/64	1.567	1/2	UE206-19MZ20	PPL206	1.36
1-1/4	UEPPL206-20MZ20	UE206-20MZ20												1.30		
1-1/4	UEPPL207-20MZ20		1-7/8	6-39/64	4-25/32	5-7/32	1-7/8	35/64	23/32	23/32	3-23/32	1.728	1/2	UE207-20MZ20	PPL207	2.02
1-7/16	UEPPL207-23MZ20	UE207-23MZ20												1.86		
1-1/2	UEPPL208-24MZ20		1-15/16	7-1/4	5-5/32	5-19/32	2-1/8	35/64	25/32	23/32	3-57/64	1.976	1/2	UE208-24MZ20	PPL208	2.54

NOTE: For Thermoplastic units please specify one of the following suffixes after the part number: "W" for a white housing or "B" for a black housing. Lubrication fitting Tap Size 1/4-28 UNF

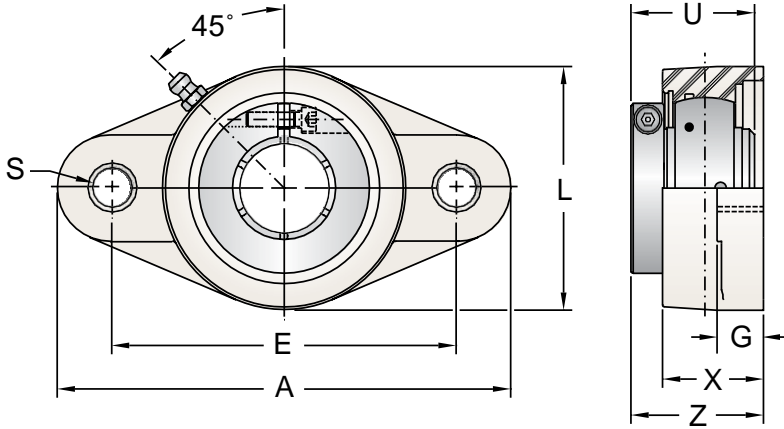
INTERCHANGES: P2B-DLEZ-100PCR CRPC-PN16T



Shaft Dia. (in.)	AMI Unit #	List Price	Dimensions (in.)								Bolt Holes (UNC Thread) T	Bearing #	Housing #	Weight (lb.)
			H	A	E	C	N	W	U	T				
3/4	UETBL204-12MZ20		1-5/16	2-7/8	2	1-23/64	7/16	2-19/32	1.299	3/8-16	UE204-12MZ20	TBL204	0.74	
1	UETBL205-16MZ20		1-7/16	3	2	1-9/16	7/16	2-57/64	1.394	3/8-16	UE205-16MZ20	TBL205	0.88	
1-3/16	UETBL206-19MZ20		1-11/16	4	3	1-43/64	7/16	3-5/16	1.567	7/16-14	UE206-19MZ20	TBL206	1.30	
1-1/4	UETBL206-20MZ20	UE206-20MZ20									1.24			
1-1/4	UETBL207-20MZ20		1-7/8	4-3/8	3-1/4	1-7/8	5/8	3-3/4	1.728	1/2-13	UE207-20MZ20	TBL207	2.00	
1-7/16	UETBL207-23MZ20	UE207-23MZ20									1.84			
1-1/2	UETBL208-24MZ20		1-15/16	4-23/32	3-1/2	1-7/8	5/8	3-61/64	1.976	1/2-13	UE208-24MZ20	TBL208	2.40	

NOTE: For Thermoplastic units please specify one of the following suffixes after the part number: "W" for a white housing or "B" for a black housing. Lubrication fitting Tap Size 1/4-28 UNF

INTERCHANGES: TB-DLEZ-100-PCR CRTBC-PN16T

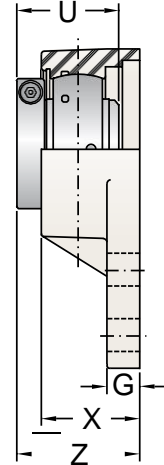
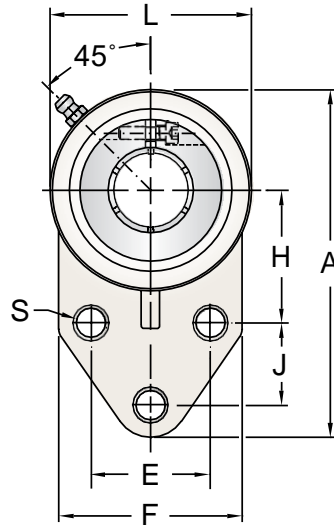


CHOICE EXTRA

Shaft Dia. (in.)	AMI Unit #	List Price	Dimensions (in.)								Bolt Size (in.)	Bearing #	Housing #	Weight (lb.)
			A	E	G	X	S	L	Z	U				
3/4	UENFL204-12MZ20		4-7/16	3-35/64	29/64	1-3/64	7/16	2-1/2	1-13/32	1.299	3/8	UE204-12MZ20	NFL204	0.68
1	UENFL205-16MZ20		5-1/8	3-57/64	17/32	1-9/64	7/16	2-3/4	1-1/2	1.394	3/8	UE205-16MZ20	NFL205	0.80
1-3/16	UENFL206-19MZ20		5-13/16	4-39/64	33/64	1-13/64	7/16	3-5/32	1-11/16	1.567	3/8	UE206-19MZ20	NFL206	1.14
1-1/4	UENFL206-20MZ20											UE206-20MZ20		1.08
1-1/4	UENFL207-20MZ20		6-7/16	5-1/8	41/64	1-19/64	33/64	3-35/64	1-3/4	1.728	1/2	UE207-20MZ20	NFL207	1.76
1-7/16	UENFL207-23MZ20											UE207-23MZ20		1.60
1-1/2	UENFL208-24MZ20		6-7/8	5-43/64	25/32	1-31/64	35/64	3-15/16	2-5/64	1.976	1/2	UE208-24MZ20	NFL208	2.28

NOTE: For Thermoplastic units please specify one of the following suffixes after the part number: "W" for a white housing or "B" for a black housing. Lubrication fitting Tap Size 1/4-28 UNF

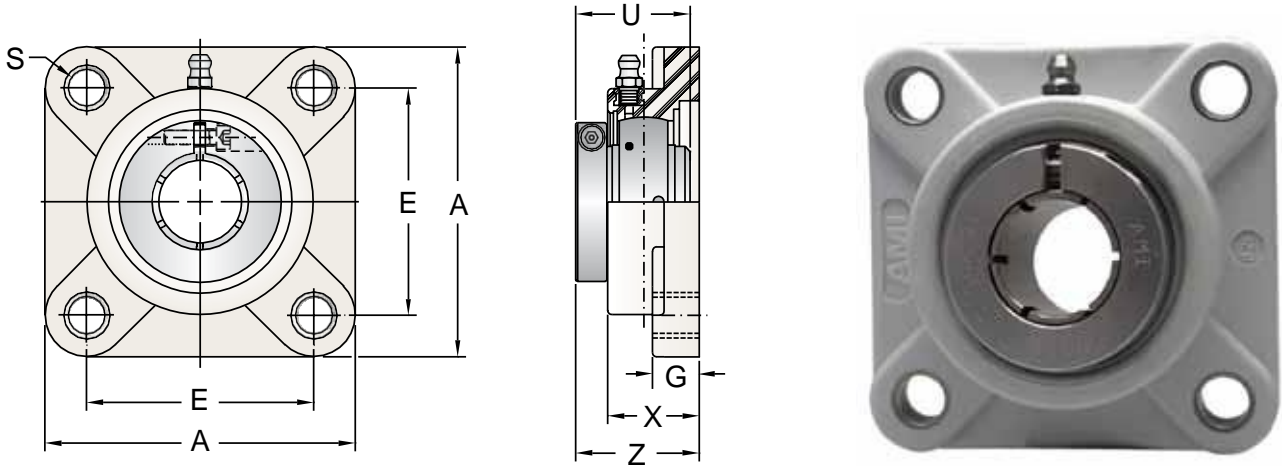
INTERCHANGES: F2B-DLEZ-100PCR CRFTC-PN16T



Shaft Dia. (in.)	AMI Unit #	List Price	Dimensions (in.)										Bolt Size (in.)	Bearing #	Housing #	Weight (lb.)	
			A	H	E	J	G	X	S	L	F	Z					U
3/4	UEFBL204-12MZ20		4-1/4	1-11/16	1-1/2	7/8	29/64	1	27/64	2-1/2	2-7/16	1-13/32	1.299	3/8	UE204-12MZ20	FBL204	0.70
1	UEFBL205-16MZ20		4-3/4	1-13/16	1-5/8	1-1/8	29/64	1-11/32	27/64	2-3/4	2-1/2	1-43/64	1.394	3/8	UE205-16MZ20	FBL205	0.82
1-3/16	UEFBL206-19MZ20		5-29/64	2-1/16	1-7/8	1-1/4	33/64	1-1/4	27/64	3-1/4	3	1-45/64	1.567	3/8	UE206-19MZ20	FBL206	1.24
1-1/4	UEFBL206-20MZ20														UE206-20MZ20		1.18
1-1/4	UEFBL207-20MZ20		6-3/16	2-3/8	2	1-1/4	41/64	1-7/16	33/64	3-3/4	3-1/2	1-57/64	1.728	1/2	UE207-20MZ20	FBL207	1.92
1-7/16	UEFBL207-23MZ20														UE207-23MZ20		1.76

NOTE: For Thermoplastic units please specify one of the following suffixes after the part number: "W" for a white housing or "B" for a black housing. Lubrication fitting Tap Size 1/4-28 UNF

INTERCHANGES: FB-DLEZ-100-PCR

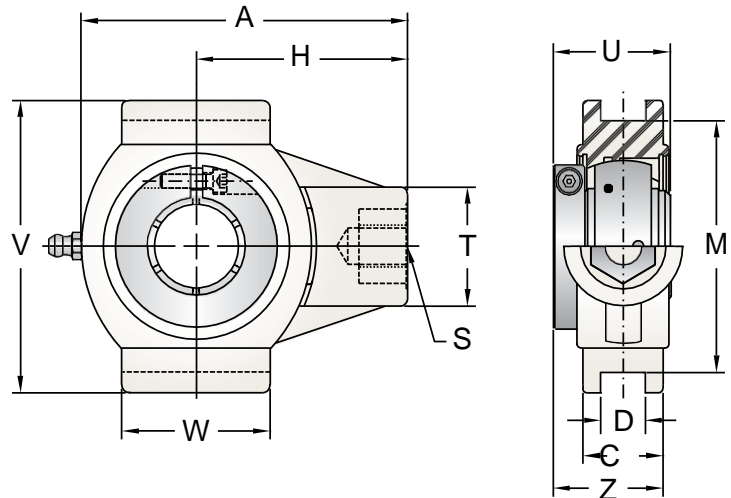


CHOICE EXTRA

Shaft Dia. (in.)	AMI Unit #	List Price	Dimensions (in.)							Bolt Size (in.)	Bearing #	Housing #	Weight (lb.)
			A	E	G	X	S	Z	U				
3/4	UEFPL204-12MZ20		3-3/8	2-1/2	17/32	1-3/32	7/16	1-33/64	1.299	3/8	UE204-12MZ20	FPL204	0.80
1	UEFPL205-16MZ20		3-3/4	2-3/4	9/16	1-7/64	7/16	1-1/2	1.394	3/8	UE205-16MZ20	FPL205	0.90
1-3/16	UEFPL206-19MZ20		4-1/4	3-1/4	9/16	1-1/4	7/16	1-45/64	1.567	3/8	UE206-19MZ20	FPL206	1.30
1-1/4	UEFPL206-20MZ20	UE206-20MZ20											
1-1/4	UEFPL207-20MZ20		4-5/8	3-5/8	39/64	1-3/8	33/64	1-57/64	1.728	1/2	UE207-20MZ20	FPL207	1.98
1-7/16	UEFPL207-23MZ20	UE207-23MZ20											
1-1/2	UEFPL208-24MZ20		5-1/8	4	43/64	1-15/32	35/64	2-9/64	1.976	1/2	UE208-24MZ20	FPL208	2.52

NOTE: For Thermoplastic units please specify one of the following suffixes after the part number: "W" for a white housing or "B" for a black housing. Lubrication fitting Tap Size 1/4-28 UNF

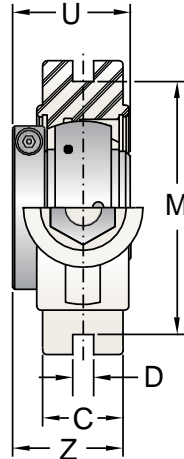
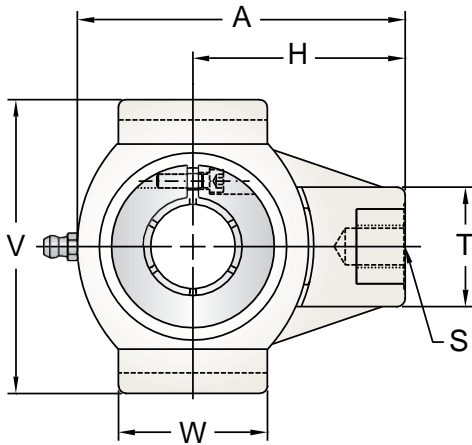
INTERCHANGES: F4B-DLEZ-100PCR | CRFC-PN16T



Shaft Dia. (in.)	AMI Unit #	List Price	Dimensions (in.)											Bearing #	Housing #	Weight (lb.)
			A	C	D	H	M	T	V	W	Z	U	S			
3/4	UETPL204-12MZ20		3-57/64	61/64	15/32	2-33/64	3	1-27/64	3-31/64	1-49/64	1-9/32	1.299	1/2-13UNC	UE204-12MZ20	TPL204	0.90
1	UETPL205-16MZ20		3-57/64	61/64	15/32	2-33/64	3	1-27/64	3-31/64	1-49/64	1-5/16	1.394	1/2-13UNC	UE205-16MZ20	TPL205	0.94
1-3/16	UETPL206-19MZ20		4-59/64	1-11/64	15/32	3	3-1/2	1-37/64	4-1/64	2-7/16	1-17/32	1.567	5/8-11UNC	UE206-19MZ20	TPL206	1.56
1-1/4	UETPL206-20MZ20	UE206-20MZ20												TPL206	1.50	
1-1/4	UETPL207-20MZ20		4-59/64	1-11/64	15/32	3	3-1/2	1-37/64	4-1/64	2-7/16	1-5/8	1.728	5/8-11UNC	UE207-20MZ20	TPL207	1.96
1-7/16	UETPL207-23MZ20	UE207-23MZ20												TPL207	1.80	
1-1/2	UETPL208-24MZ20		5-33/64	1-17/64	5/8	3-11/32	4-1/64	1-37/64	4-31/64	3-7/64	1-55/64	1.976	5/8-11UNC	UE208-24MZ20	TPL208	2.46

NOTE: For Thermoplastic units please specify one of the following suffixes after the part number: "W" for a white housing or "B" for a black housing. Lubrication fitting Tap Size 1/4-28 UNF

INTERCHANGES: AMI EXCLUSIVE

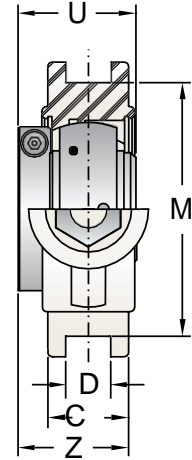
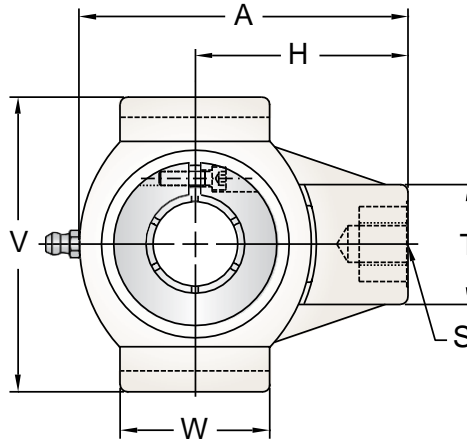


CHOICE EXTRA

Shaft Dia. (in.)	AMI Unit #	List Price	Dimensions (in.)											Bearing #	Housing #	Weight (lb.)
			A	C	D	H	M	T	V	W	Z	U	S			
3/4	UENTPL204-12MZ20		3-57/64	61/64	1/4	2-33/64	3	1-27/64	3-31/64	1-49/64	1-9/32	1.299	1/2-13UNC	UE204-12MZ20	NTPL204	0.92
1	UENTPL205-16MZ20		3-57/64	61/64	1/4	2-33/64	3	1-27/64	3-31/64	1-49/64	1-5/16	1.394	1/2-13UNC	UE205-16MZ20	NTPL205	0.94
1-3/16	UENTPL206-19MZ20		4-59/64	1-11/64	1/4	3	3-1/2	1-37/64	4-1/64	2-7/16	1-17/32	1.567	5/8-11UNC	UE206-19MZ20	NTPL206	1.60
1-1/4	UENTPL206-20MZ20	UE206-20MZ20														
1-1/4	UENTPL207-20MZ20		4-59/64	1-11/64	1/4	3	3-1/2	1-37/64	4-1/64	2-7/16	1-5/8	1.728	5/8-11UNC	UE207-20MZ20	NTPL207	2.00
1-7/16	UENTPL207-23MZ20	UE207-23MZ20														
1-1/2	UENTPL208-24MZ20		5-33/64	1-17/64	1/4	3-11/32	4-1/64	1-37/64	4-31/64	3-7/64	1-55/64	1.976	5/8-11UNC	UE208-24MZ20	NTPL208	2.50

NOTE: For Thermoplastic units please specify one of the following suffixes after the part number: "W" for a white housing or "B" for a black housing. Lubrication fitting Tap Size 1/4-28 UNF

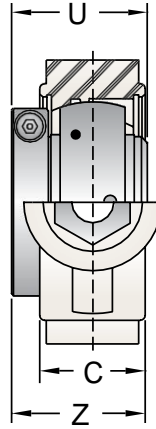
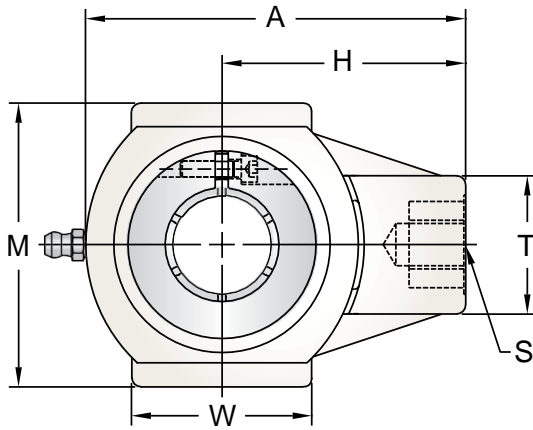
INTERCHANGES: AMI EXCLUSIVE



Shaft Dia. (in.)	AMI Unit #	List Price	Dimensions (in.)											Bearing #	Housing #	Weight (lb.)
			A	C	D	H	M	T	V	W	Z	U	S			
3/4	UEWTPL204-12MZ20		3-57/64	61/64	17/32	2-33/64	3	1-27/64	3-31/64	1-49/64	1-9/32	1.299	1/2-13UNC	UE204-12MZ20	WTPL204	0.90
1	UEWTPL205-16MZ20		3-57/64	61/64	17/32	2-33/64	3	1-27/64	3-31/64	1-49/64	1-5/16	1.394	1/2-13UNC	UE205-16MZ20	WTPL205	0.92
1-3/16	UEWTPL206-19MZ20		4-59/64	1-11/64	17/32	3	3-1/2	1-37/64	4-1/64	2-7/16	1-17/32	1.567	5/8-11UNC	UE206-19MZ20	WTPL206	1.56
1-1/4	UEWTPL206-20MZ20	UE206-20MZ20												WTPL206	1.50	
1-1/4	UEWTPL207-20MZ20		4-59/64	1-11/64	17/32	3	3-1/2	1-37/64	4-1/64	2-7/16	1-5/8	1.728	5/8-11UNC	UE207-20MZ20	WTPL207	1.96
1-7/16	UEWTPL207-23MZ20	UE207-23MZ20												WTPL207	1.80	
1-1/2	UEWTPL208-24MZ20		5-33/64	1-17/64	11/16	3-11/32	4-1/64	1-37/64	4-31/64	3-7/64	1-55/64	1.976	5/8-11UNC	UE208-24MZ20	WTPL208	2.46

NOTE: For Thermoplastic units please specify one of the following suffixes after the part number: "W" for a white housing or "B" for a black housing. Lubrication fitting Tap Size 1/4-28 UNF

INTERCHANGES: AMI EXCLUSIVE



CHOICE EXTRA

Shaft Dia. (in.)	AMI Unit #	List Price	Dimensions (in.)									Bearing #	Housing #	Weight (lb.)
			A	C	H	M	T	W	Z	U	S			
3/4	UEHPL204-12MZ20		3-57/64	1-5/64	2-1/2	2-9/16	1-27/64	1-27/32	1-11/32	1.299	1/2-13UNC	UE204-12MZ20	HPL204	0.84
1	UEHPL205-16MZ20		3-57/64	1-5/64	2-1/2	2-29/32	1-27/64	1-27/32	1-3/8	1.394	1/2-13UNC	UE205-16MZ20	HPL205	0.90
1-3/16	UEHPL206-19MZ20		4-59/64	1-23/64	3	3-1/2	1-37/64	2-1/2	1-5/8	1.567	5/8-11UNC	UE206-19MZ20	HPL206	1.52
1-1/4	UEHPL206-20MZ20	UE206-20MZ20										1.46		
1-1/4	UEHPL207-20MZ20		4-59/64	1-23/64	3	3-1/2	1-37/64	2-1/2	1-23/32	1.728	5/8-11UNC	UE207-20MZ20	HPL207	1.94
1-7/16	UEHPL207-23MZ20	UE207-23MZ20										1.78		

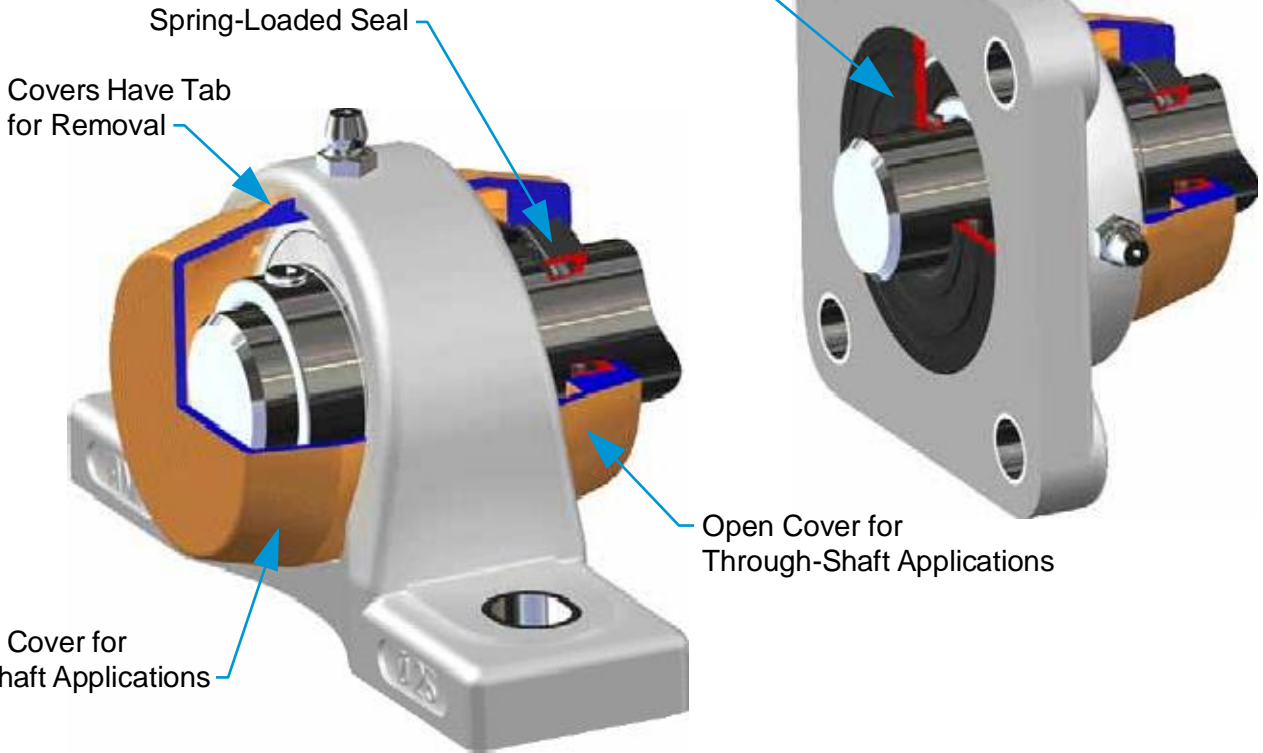
NOTE: For Thermoplastic units please specify one of the following suffixes after the part number: "W" for a white housing or "B" for a black housing. Lubrication fitting Tap Size 1/4-28 UNF

INTERCHANGES: AMI EXCLUSIVE

SHUR-SEAL SERIES

The Shur-Seal Bearing Protection System stands up to repeated high-pressure washdown and the steady stream of dry and fine particle contaminants that surround mounted bearings in many of today's plant environments.

Spring-Loaded Back Seal that Sits Flush with the Back of the Housing for 2-Bolt, 3-Bolt & 4-Bolt Flange Housing Styles



SHUR-SEAL

BORE	UNIT #	LIST
1/2	204-8OC*	9.80
3/4	204-12OC*	9.80
7/8	205-14OC*	11.70
15/16	205-15OC*	11.70
1	205-16OC*	11.70
1-1/8	206-18OC*	13.30
1-3/16	206-19OC*	13.30
1-1/4	206-20OC*	13.30
1-1/4	207-20OC*	15.50
1-3/8	207-22OC*	15.50
1-7/16	207-23OC*	15.50
1-1/2	208-24OC*	17.10
20	204OC*	9.80
25	205OC*	11.70
30	206OC*	13.30
35	207OC*	15.50
40	208OC*	17.10
45	209OC*	19.80
50	210OC*	22.40

CLOSED COVERS	
UNIT #	LIST
204CC*	5.20
205CC*	5.80
206CC*	6.50
207CC*	7.10
208CC*	8.20
209CC*	9.70
210CC*	11.20

BACK SEALS		
BORE	UNIT #	LIST
3/4	204BS-12	5.30
7/8	205BS-14	5.80
15/16	205BS-15	5.80
1	205BS-16	5.80
1-1/8	206BS-18	7.90
1-3/16	206BS-19	7.90
1-1/4	206BS-20	7.90
1-1/4	207BS-20	8.40
1-3/8	207BS-22	8.40
1-7/16	207BS-23	8.40
1-1/2	208BS-24	9.50
20	204BS	7.40
25	205BS	9.60
30	206BS	11.40
35	207BS	14.30
40	208BS	16.60

**Seals Out Contaminants
Retains Lubrication
Ideal for HACCP Monitored Facilities**

The Shur-Seal system is comprised of any combination of Closed Covers, Open Covers, and Back Seals that integrate with our Thermoplastic Bearing Housings

MUCPPL 205 - 16 CW

White Housing Material
(Change "W" to "B" for Black)
2 Open Covers
(Change to "CE" for 1 Open & 1 Closed Cover)

C = 2 Open Covers
CE = 1 Closed & 1 Open Cover
W = White Housing
B = Black Housing
OCW = White Cover
OCB = Black Cover
OCO = Orange Cover
BS = Back Seal

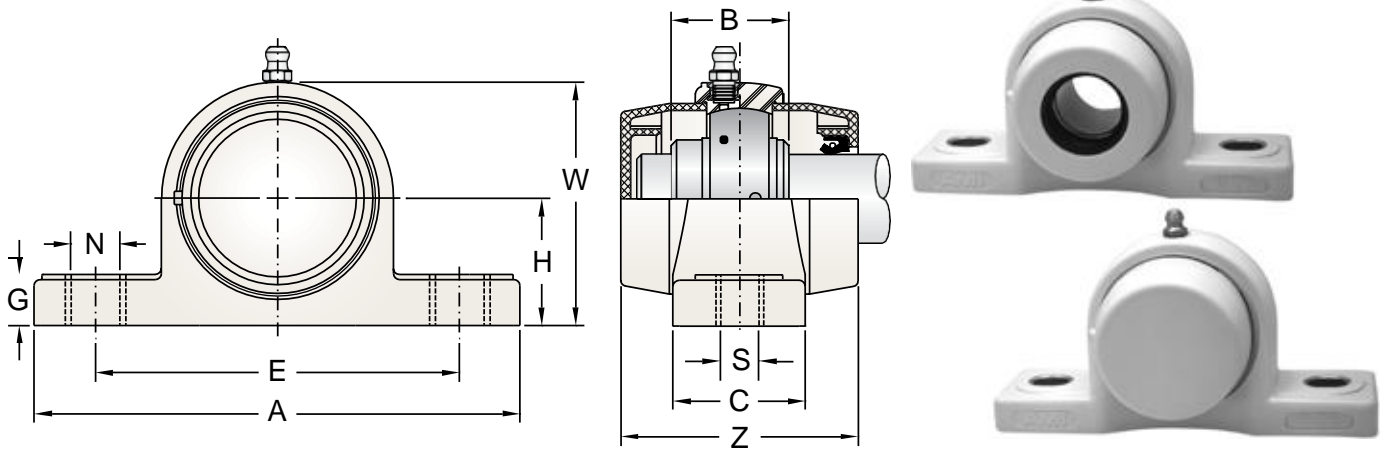
NOTE: For 2-Bolt, 3-Bolt and 4-Bolt Flange: 1 Open Cover and Back Seal

*For Open & Closed Covers please specify one of the following suffixes after the part number: "W" for white cover, "B" for black cover, or "O" for orange cover (Example: 205-16OCW = white open cover)

PILLOW BLOCK UNITS WITH COVERS

Stainless Insert detail-pg. 82 • RF Patent Seal-pg. 90

MUCPPL 200C(CE)

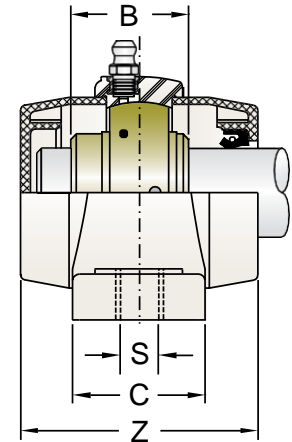
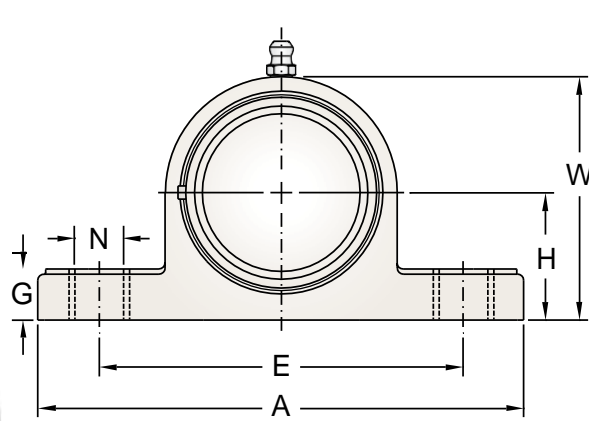


SHUR-SEAL

Shaft Dia. (in.)	AMI Unit #		List Price	Dimensions (in.)											Bolt Size (in.)	Bearing #	Housing #	Weight (lb.)
	2 Open Covers	1 Open Cover and 1 Closed Cover		H	A	E		C	S	N	G	W	Z	B				
1/2	MUCPPL201-8C	MUCPPL201-8CE		1-5/16	5	3-37/64	3-59/64	1-1/2	7/16	35/64	9/16	2-37/64	2-15/32	1.220	3/8	MUC201-8	PPL204	0.79
3/4	MUCPPL204-12C	MUCPPL204-12CE														MUC204-12		0.68
7/8	MUCPPL205-14C	MUCPPL205-14CE														MUC205-14		0.87
15/16	MUCPPL205-15C	MUCPPL205-15CE		1-7/16	5-1/2	3-61/64	4-19/64	1-1/2	7/16	35/64	37/64	2-3/4	2-41/64	1.339	3/8	MUC205-15	PPL205	0.83
1	MUCPPL205-16C	MUCPPL205-16CE														MUC205-16		0.79
1-1/8	MUCPPL206-18C	MUCPPL206-18CE														MUC206-18		1.29
1-3/16	MUCPPL206-19C	MUCPPL206-19CE		1-11/16	6-3/8	4-15/32	4-29/32	1-13/16	35/64	23/32	45/64	3-19/64	3-3/32	1.500	1/2	MUC206-19	PPL206	1.23
1-1/4	MUCPPL206-20C	MUCPPL206-20CE														MUC206-20		1.17
1-1/4	MUCPPL207-20C	MUCPPL207-20CE														MUC207-20		1.87
1-3/8	MUCPPL207-22C	MUCPPL207-22CE		1-7/8	6-39/64	4-25/32	5-7/32	1-7/8	35/64	23/32	23/32	3-23/32	3-7/16	1.689	1/2	MUC207-22	PPL207	1.75
1-7/16	MUCPPL207-23C	MUCPPL207-23CE														MUC207-23		1.69
1-1/2	MUCPPL208-24C	MUCPPL208-24CE		1-15/16	7-1/4	5-5/32	5-19/32	2-1/8	35/64	23/32	25/32	3-57/64	4-1/16	1.937	1/2	MUC208-24	PPL208	2.36
Dimensions (mm)																		
20	MUCPPL204C	MUCPPL204CE		33.3	127	91	99	38	11	14	14.2	65.5	62.6	31	M10	MUC204	PPL204	0.67
25	MUCPPL205C	MUCPPL205CE		36.5	140	101	109	38	11	14	14.5	71.0	67.0	34	M10	MUC205	PPL205	0.81
30	MUCPPL206C	MUCPPL206CE		42.9	162	113	125	46	14	18	17.8	83.7	78.6	38.1	M12	MUC206	PPL206	1.23
35	MUCPPL207C	MUCPPL207CE		47.6	168	121	133	48	14	18	18	94.5	87.5	42.9	M12	MUC207	PPL207	1.75
40	MUCPPL208C	MUCPPL208CE		49.2	184	131	143	54	14	18	19.8	98.5	103.3	49.2	M12	MUC208	PPL208	2.28
45	MUCPPL209C	MUCPPL209CE		54.0	192	142	150	54	17	20	23	106.0	109.3	49.2	M16	MUC209	PPL209	2.50
50	MUCPPL210C	MUCPPL210CE		57.2	206	155	163	60	17	20	23	114.0	120.8	51.6	M16	MUC210	PPL210	2.99

NOTE: For Thermoplastic units please specify one of the following suffixes after the part number: "W" for a white housing or "B" for a black housing. For Shur-Seal units please specify one of the following suffixes after the size: "C" for 2 open covers or "CE" for 1 closed cover and 1 open cover. (Example: MUCPPL205-16CW = White Pillow Block with 2 open covers)
Lubrication fitting Tap Size 1/4-28 UNF

INTERCHANGES: CPS-S216ECC | CPS-S216ECO | PB251CTWx1CPCC | PB251CTWx1CPOC | CPB100SSEC | CRPC-PN16ECC | CRPC-PN16ECO



SHUR-SEAL

Shaft Dia. (in.)	AMI Unit #		List Price	Dimensions (in.)										Bolt Size (in.)	Bearing #	Housing #	Weight (lb.)	
	2 Open Covers	1 Open Cover and 1 Closed Cover		H	A	E		C	S	N	G	W	Z					B
						Min.	Max.											
1/2	UCPPL201-8MZ2C	UCPPL201-8MZ2CE		1-5/16	5	3-37/64	3-59/64	1-1/2	7/16	35/64	9/16	2-37/64	2-15/32	1.220	3/8	UC201-8MZ2	PPL204	0.79
3/4	UCPPL204-12MZ2C	UCPPL204-12MZ2CE														UC204-12MZ2		0.70
7/8	UCPPL205-14MZ2C	UCPPL205-14MZ2CE		1-7/16	5-1/2	3-61/64	4-19/64	1-1/2	7/16	35/64	37/64	2-3/4	2-41/64	1.339	3/8	UC205-14MZ2	PPL205	0.89
1	UCPPL205-16MZ2C	UCPPL205-16MZ2CE														UC205-16MZ2		0.81
1-1/8	JCPPL206-18MZ2C	UCPPL206-18MZ2CE														UC206-18MZ2		1.31
1-3/16	UCPPL206-19MZ2C	UCPPL206-19MZ2CE		1-11/16	6-3/8	4-15/32	4-29/32	1-13/16	35/64	23/32	45/64	3-19/64	3-3/32	1.500	1/2	UC206-19MZ2	PPL206	1.25
1-1/4	JCPPL206-20MZ2C	UCPPL206-20MZ2CE														UC206-20MZ2		1.21
1-1/4	JCPPL207-20MZ2C	UCPPL207-20MZ2CE														UC207-20MZ2		1.91
1-3/8	JCPPL207-22MZ2C	UCPPL207-22MZ2CE		1-7/8	6-39/64	4-25/32	5-7/32	1-7/8	35/64	23/32	23/32	3-23/32	3-7/16	1.689	1/2	UC207-22MZ2	PPL207	1.79
1-7/16	JCPPL207-23MZ2C	UCPPL207-23MZ2CE														UC207-23MZ2		1.71
1-1/2	JCPPL208-24MZ2C	UCPPL208-24MZ2CE		1-15/16	7-1/4	5-5/32	5-19/32	2-1/8	35/64	23/32	25/32	3-57/64	4-1/16	1.937	1/2	UC208-24MZ2	PPL208	2.42
Dimensions (mm)																		
20	UCPPL204MZ2C	UCPPL204MZ2CE		33.3	127	91	99	38	11	14	14.2	65.5	62.6	31	M10	UC204MZ2	PPL204	0.68
25	UCPPL205MZ2C	UCPPL205MZ2CE		36.5	140	101	109	38	11	14	14.5	71.0	67.0	34	M10	UC205MZ2	PPL205	0.83
30	UCPPL206MZ2C	UCPPL206MZ2CE		42.9	162	113	125	46	14	18	17.8	83.7	78.6	38.1	M12	UC206MZ2	PPL206	1.25
35	UCPPL207MZ2C	UCPPL207MZ2CE		47.6	168	121	133	48	14	18	18	94.5	87.5	42.9	M12	UC207MZ2	PPL207	1.79
40	UCPPL208MZ2C	UCPPL208MZ2CE		49.2	184	131	143	54	14	18	19.8	98.5	103.3	49.2	M12	UC208MZ2	PPL208	2.32
45	UCPPL209MZ2C	UCPPL209MZ2CE		54.0	192	142	150	54	17	20	23	106.0	109.3	49.2	M16	UC209MZ2	PPL209	2.56
50	UCPPL210MZ2C	UCPPL210MZ2CE		57.2	206	155	163	60	17	20	23	114.0	120.8	51.6	M16	UC210MZ2	PPL210	3.07

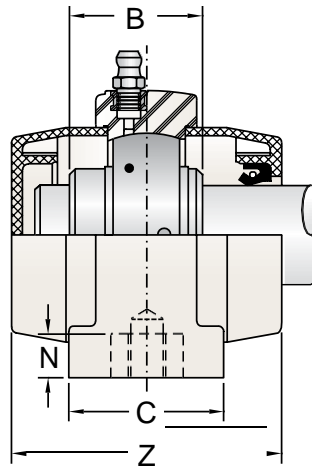
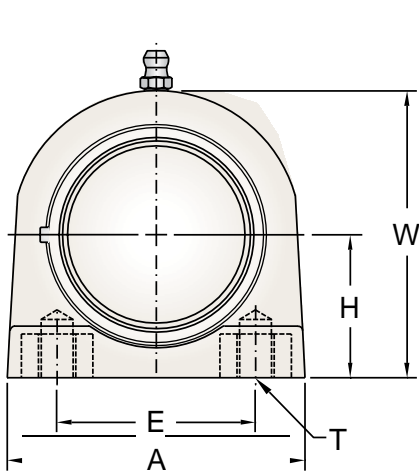
NOTE: For Thermoplastic units please specify one of the following suffixes after the part number: "W" for a white housing or "B" for a black housing. For Shur-Seal units please specify one of the following suffixes after the size: "C" for 2 open covers or "CE" for 1 closed cover and 1 open cover. (Example: UCPPL205-16MZ2CW = White Pillow Block with 2 open covers)
Lubrication fitting Tap Size 1/4-28 UNF

INTERCHANGES:	CPS-Z216ECC	CPS-Z216ECO	P2B-SCEZ-100PCRECC	P2B-SCEZ-100PCRECO	CPB100ZMEC
---------------	-------------	-------------	--------------------	--------------------	------------

TAPPED BASE PILLOW BLOCK UNITS WITH COVERS

Stainless Insert detail-pg. 82 • RF Patent Seal-pg. 90

MUCTBL 200C(CE)



SHUR-SEAL

Shaft Dia. (in.)	AMI Unit #		List Price	Dimensions (in.)								Bolt Holes (UNC Thread) T	Bearing #	Housing #	Weight (lb.)	
	2 Open Covers	1 Open Cover and 1 Closed Cover		H	A	E	C	N	W	Z	B					
1/2	MUCTBL201-8C	MUCTBL201-8CE														0.73
3/4	MUCTBL204-12C	MUCTBL204-12CE		1-5/16	2-7/8	2	1-23/64	7/16	2-19/32	2-33/64	1.220	3/8-16	MUC201-8 MUC204-12	TBL204	0.62	
7/8	MUCTBL205-14C	MUCTBL205-14CE														0.85
15/16	MUCTBL205-15C	MUCTBL205-15CE		1-7/16	3	2	1-9/16	7/16	2-57/64	2-43/64	1.339	3/8-16	MUC205-14 MUC205-15 MUC205-16	TBL205	0.81 0.77	
1	MUCTBL205-16C	MUCTBL205-16CE														0.77
1-1/8	MUCTBL206-18C	MUCTBL206-18CE														1.23
1-3/16	MUCTBL206-19C	MUCTBL206-19CE		1-11/16	4	3	1-43/64	7/16	3-5/16	3-9/64	1.500	7/16-14	MUC206-18 MUC206-19 MUC206-20	TBL206	1.17 1.11	
1-1/4	MUCTBL206-20C	MUCTBL206-20CE														1.11
1-1/4	MUCTBL207-20C	MUCTBL207-20CE														1.84
1-3/8	MUCTBL207-22C	MUCTBL207-22CE		1-7/8	4-3/8	3-1/4	1-7/8	5/8	3-3/4	3-27/64	1.689	1/2-13	MUC207-20 MUC207-22 MUC207-23	TBL207	1.72 1.66	
1-7/16	MUCTBL207-23C	MUCTBL207-23CE														1.66
1-1/2	MUCTBL208-24C	MUCTBL208-24CE		1-15/16	4-23/32	3-1/2	1-7/8	5/8	3-61/64	4-1/32	1.937	1/2-13	MUC208-24	TBL208	2.22	
Dimensions (mm)																
20	MUCTBL204C	MUCTBL204CE		33.3	73	50.8	34.5	11.1	66	63.8	31	3/8-16	MUC204	TBL204	0.62	
25	MUCTBL205C	MUCTBL205CE		36.5	76.2	50.8	39.7	11.1	73.4	67.8	34	3/8-16	MUC205	TBL205	0.79	
30	MUCTBL206C	MUCTBL206CE		42.9	101.6	76.2	42.5	11.1	84	79.8	38.1	7/16-14	MUC206	TBL206	1.17	
35	MUCTBL207C	MUCTBL207CE		47.6	111	82.6	47.6	16.0	95	87.0	42.9		MUC207	TBL207	1.72	
40	MUCTBL208C	MUCTBL208CE		49.2	120	88.9	47.6	16.0	100.4	102	49.2	1/2-13	MUC208	TBL208	2.14	
45	MUCTBL209C	MUCTBL209CE		54.0	124	95.3	50	19.0	108.5	109	49.2		MUC209	TBL209	2.36	

NOTE: For Thermoplastic units please specify one of the following suffixes after the part number: "W" for a white housing or "B" for a black housing. For Shur-Seal units please specify one of the following suffixes after the size: "C" for 2 open covers or "CE" for 1 closed cover and 1 open cover. (Example: MUCTBL205-16CW = White Tapped Base Pillow Block with 2 open covers)

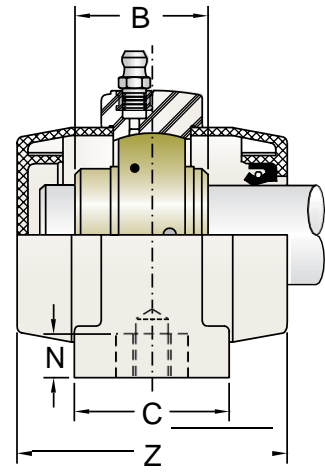
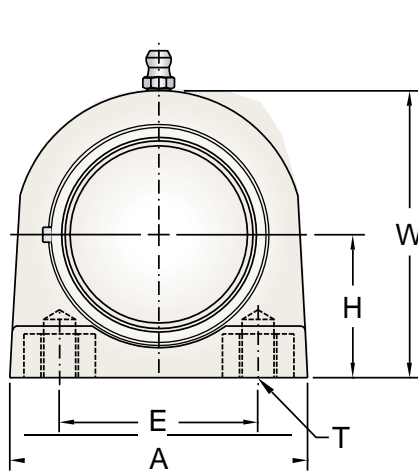
Lubrication fitting Tap Size 1/4-28 UNF

INTERCHANGES:	CTBS-S216ECC	CTBS-S216ECO	TPB250CTWx1CPCC	TPB250CTWx1CPOC	CRTBC-PW16ECC	CRTBC-PW16ECO
---------------	--------------	--------------	-----------------	-----------------	---------------	---------------

UCTBL 200MZ2C(CE)

TAPPED BASE PILLOW BLOCK UNITS WITH COVERS

Zinc Insert detail-pg. 83 • RF Patent Seal-pg. 90

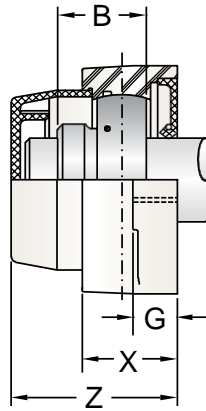
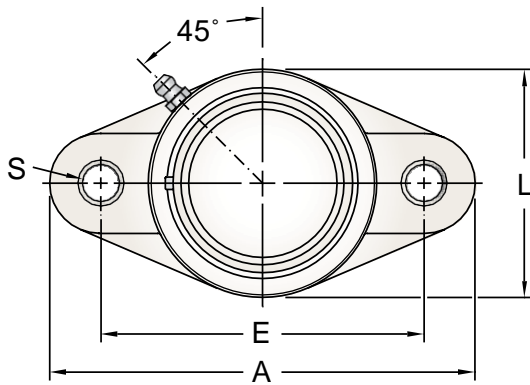


SHUR-SEAL

Shaft Dia. (in.)	AMI Unit #		List Price	Dimensions (in.)								Bolt Holes (UNC Thread) T	Bearing #	Housing Weight # (lb.)	
	2 Open Covers	1 Open Cover and 1 Closed Cover		H	A	E	C	N	W	Z	B				
1/2	UCTBL201-8MZ2C	UCTBL201-8MZ2CE		1-5/16	2-7/8	2	1-23/64	7/16	2-19/32	2-33/64	1.220	3/8-16	UC201-8M22	TBL204	0.73
	UCTBL204-12MZ2C	UCTBL204-12MZ2CE													
3/4	UCTBL205-14MZ2C	UCTBL205-14MZ2CE		1-7/16		2		7/16	2-57/64	2-43/64		3/8-16	UC204-12M22	TBL205	0.64
	UCTBL205-16MZ2C	UCTBL205-16MZ2CE													
7/8	UCTBL206-18MZ2C	UCTBL206-18MZ2CE		1-11/16	3		1-9/16	7/16	3-5/16	3-9/64	1.339	7/16-14	UC205-14M22	TBL206	0.87
	UCTBL206-19MZ2C	UCTBL206-19MZ2CE													
1-1/8	UCTBL206-20MZ2C	UCTBL206-20MZ2CE		1-11/16	3		1-43/64	7/16	3-5/16	3-9/64	1.500	7/16-14	UC205-16M22	TBL206	0.79
	UCTBL206-20MZ2C	UCTBL206-20MZ2CE													
1-1/4	UCTBL207-20MZ2C	UCTBL207-20MZ2CE		1-7/8	4-3/8	3-1/4	1-7/8	5/8	3-27/64			1/2-13	UC206-18M22	TBL207	1.25
	UCTBL207-20MZ2C	UCTBL207-20MZ2CE													
1-3/8	UCTBL207-22MZ2C	UCTBL207-22MZ2CE		1-7/8	4-3/8	3-1/4	1-7/8	5/8	3-27/64			1/2-13	UC206-19M22	TBL207	1.19
	UCTBL207-22MZ2C	UCTBL207-22MZ2CE													
1-7/16	UCTBL207-23MZ2C	UCTBL207-23MZ2CE		1-7/8	4-3/8	3-1/4	1-7/8	5/8	3-27/64			1/2-13	UC206-20M22	TBL207	1.15
	UCTBL207-23MZ2C	UCTBL207-23MZ2CE													
1-1/2	UCTBL207-23MZ2C	UCTBL207-23MZ2CE		1-15/16	4-23/32	3-1/2	34.5	5/8	66	4-1/32	1.689	1/2-13	UC207-20M22	TBL208	1.88
	UCTBL208-24MZ2C	UCTBL208-24MZ2CE													
20	UCTBL208-24MZ2C	UCTBL208-24MZ2CE		1-15/16	4-23/32	3-1/2	34.5	5/8	66	4-1/32	1.689	1/2-13	UC207-22M22	TBL208	1.76
	UCTBL208-24MZ2C	UCTBL208-24MZ2CE													
25	UCTBL208-24MZ2C	UCTBL208-24MZ2CE		1-15/16	4-23/32	3-1/2	34.5	5/8	66	4-1/32	1.689	1/2-13	UC207-23M22	TBL208	1.68
	UCTBL208-24MZ2C	UCTBL208-24MZ2CE													
30	UCTBL204M22C	UCTBL204M22CE		33.3	73	50.8	39.7	1-7/8	11.1	73.4	34.0	3/8-16	UC204M22	TBL204	0.69
	UCTBL204M22C	UCTBL204M22CE													
35	UCTBL205M22C	UCTBL205M22CE		36.5	76.2	50.8	42.5	11.1	84	63.8	1.937	3/8-16	UC205M22	TBL205	0.81
	UCTBL205M22C	UCTBL205M22CE													
40	UCTBL206M22C	UCTBL206M22CE		42.9	101.6	76.2	47.6	11.1		79.8	42.9	7/16-14	UC206M22	TBL206	1.19
	UCTBL206M22C	UCTBL206M22CE													
45	UCTBL207M22C	UCTBL207M22CE		47.6	120	82.6	47.6	16.0	95	87.0	49.2	7/16-14	UC207M22	TBL207	1.76
	UCTBL207M22C	UCTBL207M22CE													
45	UCTBL208M22C	UCTBL208M22CE		49.2	124	88.9	50	16.0	100.4	102	49.2	1/2-13	UC208M22	TBL208	2.18
	UCTBL208M22C	UCTBL208M22CE													
45	UCTBL209M22C	UCTBL209M22CE		54.0		95.3		19.0	108.5	109		1/2-13	UC209M22	TBL209	2.42
	UCTBL209M22C	UCTBL209M22CE													

NOTE: For Thermoplastic units please specify one of the following suffixes after the part number: "W" for a white housing or "B" for a black housing. For Shur-Seal units please specify one of the following suffixes after the size: "C" for 2 open covers or "CE" for 1 closed cover and 1 open cover. (Example: UCTBL205-16MZ2CW = White Tapped Base Pillow Block with 2 open covers)
Lubrication fitting Tap Size 1/4-28 UNF

INTERCHANGES: CTBS-Z216ECC CTBS-Z216ECO TB-SCEZ-100PCRECC TB-SCEZ-100PCRECO

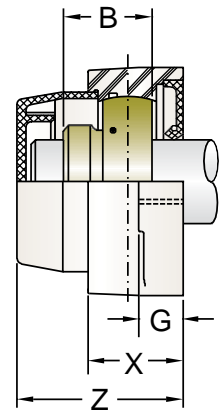
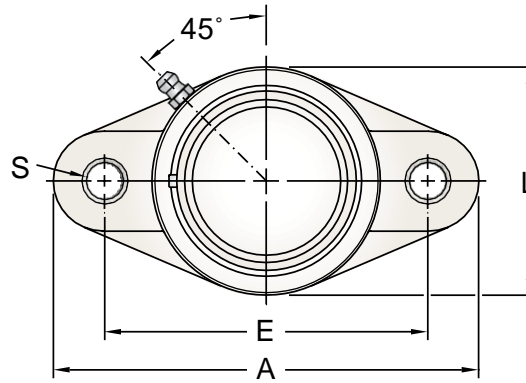


Shaft Dia. (in.)	AMI Unit #		List Price	Dimensions (in.)								Bolt Size (in.)	Bearing #	Housing #	Weight (lb.)
	1 Open Cover with Back Seal	1 Closed Cover with Back Seal		A	E	G	X	S	L	Z	B				
3/4	MBNFL4-12C	MBNFL4-12CE		4-7/16	3-35/64	29/64	1-3/64	7/16	2-1/2	1-53/64	0.972	3/8	MB4-12	NFL204	0.52
1	MBNFL5-16C	MBNFL5-16CE		5-1/8	3-57/64	17/32	1-9/64	7/16	2-3/4	1-31/32	1.063		MB5-16	NFL205	0.67
1-1/4	MBNFL6-20C	MBNFL6-20CE		5-13/16	4-39/64	33/64	1-13/64	7/16	3-5/32	2-7/32	1.193		MB6-20	NFL206	0.90
Dimensions (mm)															
20	MBNFL4C	MBNFL4CE		112.7	90	11.4	26.5	11	63.5	46.5	24.7	M10	MB4	NFL204	0.51
25	MBNFL5C	MBNFL5CE		130	99	13.5	29.1	11	69.9	50.1	27		MB5	NFL205	0.67
30	MBNFL6C	MBNFL6CE		148	117	13.3	30.5	11	80	56.5	30.3		MB6	NFL206	0.94
35	MBNFL7C	MBNFL7CE		164	130	16.1	32.8	13	90	60.3	32.9	M12	MB7	NFL207	1.34
40	MBNFL8C	MBNFL8CE		174.6	144	20	37.5	14	100	71.0	35.5		MB8	NFL208	1.79

NOTE: For Thermoplastic units please specify one of the following suffixes after the part number: "W" for a white housing or "B" for a black housing. For Shur-Seal Flange units please specify one of the following suffixes after the size: "C" for 1 open cover or "CE" for 1 closed cover. (Example: MBNFL5-16CW = White Two-Bolt Flange with 1 open cover and Back Seal)
Lubrication fitting Tap Size 1/4-28 UNF

INTERCHANGES: **CF25-S216ECC** **CF25-S216ECO** **FB250CTWx1CPCC** **FB250CTWx1CPOC** **C2F100SSEC**

SHUR-SEAL

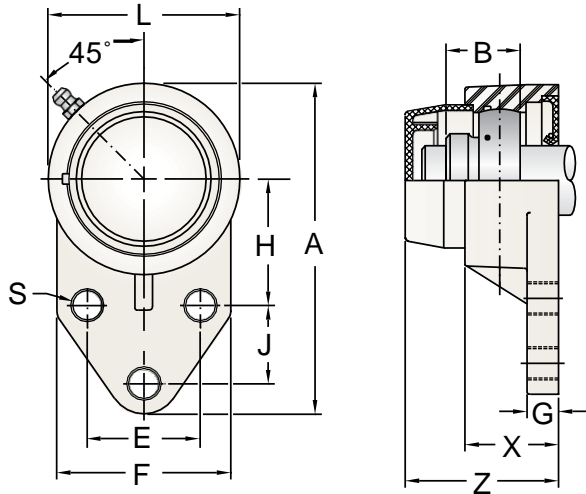


SHUR-SEAL

Shaft Dia. (in.)	AMI Unit #		List Price	Dimensions (in.)								Bolt Size (in.)	Bearing #	Housing #	Weight (lb.)
	1 Open Cover with Back Seal	1 Closed Cover with Back Seal		A	E	G	X	S	L	Z	B				
3/4	BNFL4-12MZ2C	BNFL4-12MZ2CE		4-7/16	3-35/64	29/64	1-3/64	7/16	2-1/2	1-53/64	0.972	3/8	B4-12MZ2	NFL204	0.56
	BNFL5-16MZ2C	BNFL5-16MZ2CE		5-1/8	3-57/64	17/32	1-9/64	7/16	2-3/4	1-31/32	1.063		B5-16MZ2	NFL205	0.67
1-1/8	BNFL6-18MZ2C	BNFL6-18MZ2CE										3/8	B6-18MZ2		0.99
1-3/16	BNFL6-19MZ2C	BNFL6-19MZ2CE		5-13/16	4-39/64	33/64	1-13/64	7/16	3-5/32	2-7/32	1.193		B6-19MZ2	NFL206	0.94
1-1/4	BNFL6-20MZ2C	BNFL6-20MZ2CE										3/8	B6-20MZ2		0.90
1-1/4	BNFL7-20MZ2C	BNFL7-20MZ2CE											B7-20MZ2		1.47
1-3/8	BNFL7-22MZ2C	BNFL7-22MZ2CE		6-7/16	5-1/8	41/64	1-19/64	33/64	3-35/64	2-3/8	1.295	1/2	B7-22MZ2	NFL207	1.36
1-7/16	BNFL7-23MZ2C	BNFL7-23MZ2CE										1/2	B7-23MZ2		1.32
1-1/2	BNFL8-24MZ2C	BNFL8-24MZ2CE		6-7/8	5-43/64	25/32	1-31/64	35/64	3-15/16	2-51/64	1.397		B8-24MZ2	NFL208	1.88

NOTE: For Thermoplastic units please specify one of the following suffixes after the part number: "W" for a white housing or "B" for a black housing. For Shur-Seal Flange units please specify one of the following suffixes after the size: "C" for 1 open cover or "CE" for 1 closed cover. (Example: BNFL5-16MZ2CW = White Two-Bolt Flange with 1 open cover and Back Seal)
Lubrication fitting Tap Size 1/4-28 UNF

INTERCHANGES:	CF2S-Z216ECC	CF2S-Z216ECO	F2B-SCEZ-100PCRECC	F2B-SCEZ-100PCRECO	
	KFX-S216DC	KFX-S216D	C2F100ZMEC	CRFC-PW16ECC	CRFC-PW16ECO

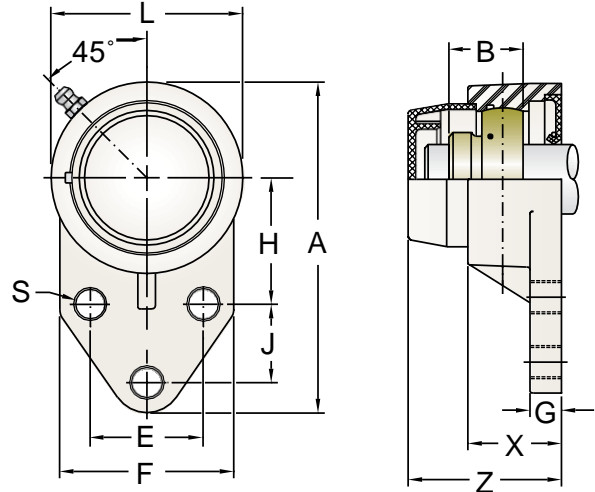


SHUR-SEAL

Shaft Dia. (in.)	AMI Unit #		List Price	Dimensions (in.)											Bolt Size (in.)	Bearing #	Housing #	Weight (lb.)
	1 Open Cover with Back Seal	1 Closed Cover with Back Seal		A	H	E	J	G	X	S	L	F	Z	B				
3/4	MBFBL4-12C	MBFBL4-12CE		4-1/4	1-11/16	1-1/2	7/8	29/64	1	27/64	2-1/2	2-7/16	1-25/32	0.972		MB4-12	FBL204	0.56
1	MBFBL5-16C	MBFBL5-16CE		4-3/4	1-13/16	1-5/8	1-1/8	29/64	1-11/32	27/64	2-3/4	2-1/2	2-11/64	1.063	3/8	MB5-16	FBL205	0.69
1-1/4	MBFBL6-20C	MBFBL6-20CE		5-29/64	2-1/16	1-7/8	1-1/4	33/64	1-1/4	27/64	3-1/4	3	2-9/32	1.193		MB6-20	FBL206	1.00
				Dimensions (mm)														
20	MBFBL4C	MBFBL4CE		108	42.9	38.1	22.2	11.4	25.4	10.7	63.5	62	45.4	24.7		MB4	FBL204	0.52
25	MBFBL5C	MBFBL5CE		120.6	46	41.3	28.6	11.4	34	10.7	70	63.5	55.1	27	M10	MB5	FBL205	0.69
30	MBFBL6C	MBFBL6CE		138.5	52.4	47.6	31.8	13.3	31.8	10.7	83	76	57.8	30.3		MB6	FBL206	1.04
35	MBFBL7C	MBFBL7CE		157	60.3	50.8	31.8	16.1	36.5	13.1	95	89	64.0	32.9	M12	MB7	FBL207	1.50

NOTE: For Thermoplastic units please specify one of the following suffixes after the part number: "W" for a white housing or "B" for a black housing. For Shur-Seal Flange units please specify one of the following suffixes after the size: "C" for 1 open cover or "CE" for 1 closed cover. (Example: MBFBL5-16CW = White Three-Bolt Flange with 1 open cover and Back Seal)
Lubrication fitting Tap Size 1/4-28 UNF

INTERCHANGES: AMI EXCLUSIVE

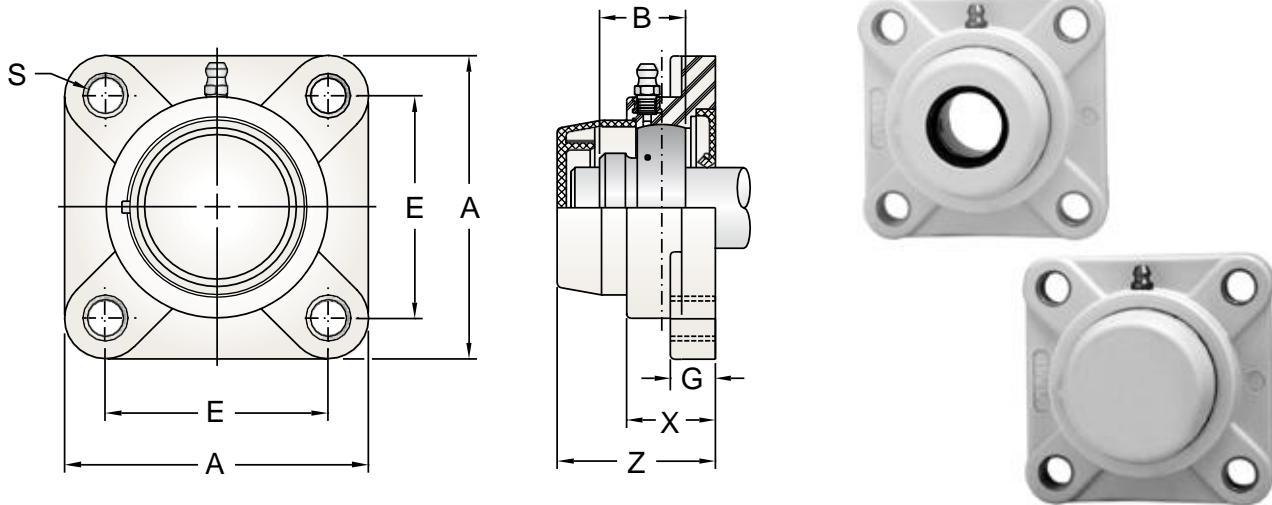


SHUR-SEAL

Shaft Dia. (in.)	AMI Unit #		List Price	Dimensions (in.)											Bolt Size (in.)	Bearing #	Housing #	Weight (lb.)
	1 Open Cover with Back Seal	1 Closed Cover with Back Seal		A	H	E	J	G	X	S	L	F	Z	B				
3/4	BFBL4-12MZ2C	BFBL4-12MZ2CE		4-1/4	1-11/16	1-1/2	7/8	29/64	1	27/64	2-1/2	2-7/16	1-25/32	0.972	3/8	B4-12MZ2	FBL204	0.58
1	BFBL5-16MZ2C	BFBL5-16MZ2CE		4-3/4	1-13/16	1-5/8	1-1/8	29/64	1-11/32	27/64	2-3/4	2-1/2	2-11/64	1.063	3/8	B5-16MZ2	FBL205	0.69
1-1/8	BFBL6-18MZ2C	BFBL6-18MZ2CE														B6-18MZ2		1.09
1-3/16	BFBL6-19MZ2C	BFBL6-19MZ2CE		5-29/64	2-1/16	1-7/8	1-1/4	33/64	1-1/4	27/64	3-1/4	3	2-9/32	1.193	3/8	B6-19MZ2	FBL206	1.04
1-1/4	BFBL6-20MZ2C	BFBL6-20MZ2CE														B6-20MZ2		1.00
1-1/4	BFBL7-20MZ2C	BFBL7-20MZ2CE														B7-20MZ2		1.63
1-3/8	BFBL7-22MZ2C	BFBL7-22MZ2CE		6-3/16	2-3/8	2	1-1/4	41/64	1-7/16	33/64	3-3/4	3-1/2	2-33/64	1.296	1/2	B7-22MZ2	FBL207	1.52
1-7/16	BFBL7-23MZ2C	BFBL7-23MZ2CE														B7-23MZ2		1.48

NOTE: For Thermoplastic units please specify one of the following suffixes after the part number: "W" for a white housing or "B" for a black housing. For Shur-Seal Flange units please specify one of the following suffixes after the size: "C" for 1 open cover or "CE" for 1 closed cover. (Example: BFBL5-16MZ2CW = White Three-Bolt Flange with 1 open cover and Back Seal)
Lubrication fitting Tap Size 1/4-28 UNF

INTERCHANGES: FB-SCEZ-100PCRECC | FB-SCEZ-100PRECO

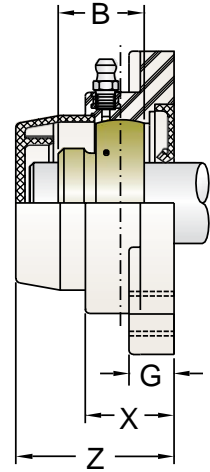
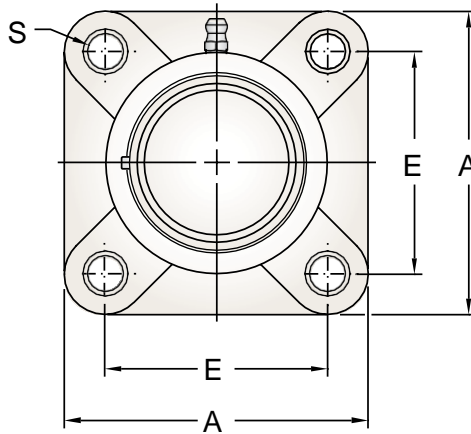


Shaft Dia. (in.)	AMI Unit #		List Price	Dimensions (in.)							Bolt Size (in.)	Bearing #	Housing #	Weight (lb.)
	1 Open Cover with Back Seal	1 Closed Cover with Back Seal		A	E	G	X	S	Z	B				
3/4	MBFPL4-12C	MBFPL4-12CE		3-3/8	2-1/2	17/32	1-3/32	7/16	1-7/8	0.972		MB4-12	FPL204	0.66
1	MBFPL5-16C	MBFPL5-16CE		3-3/4	2-3/4	9/16	1-7/64	7/16	1-59/64	1.063	3/8	MB5-16	FPL205	0.77
1-1/4	MBFPL6-20C	MBFPL6-20CE		4-1/4	3-1/4	9/16	1-1/4	7/16	2-9/32	1.193		MB6-20	FPL206	1.06
Dimensions (mm)														
20	MBFPL4C	MBFPL4CE		86	63.5	13.4	27.8	11	47.8	24.7		MB4	FPL204	0.63
25	MBFPL5C	MBFPL5CE		95	70	14.3	28.0	11	49.0	27.0	M10	MB5	FPL205	0.77
30	MBFPL6C	MBFPL6CE		108	83	14.3	31.7	11	57.8	30.3		MB6	FPL206	1.10
35	MBFPL7C	MBFPL7CE		118	92	15.5	34.8	13	62.3	32.9		MB7	FPL207	1.56
40	MBFPL8C	MBFPL8CE		130	102	17.0	37.5	14	71.0	35.5	M12	MB8	FPL208	2.03

NOTE: For Thermoplastic units please specify one of the following suffixes after the part number: "W" for a white housing or "B" for a black housing. For Shur-Seal Flange units please specify one of the following suffixes after the size: "C" for 1 open cover or "CE" for 1 closed cover. (Example: MBFPL5-16CW = White Four-Bolt Flange with 1 open cover and Back Seal)
Lubrication fitting Tap Size 1/4-28 UNF

INTERCHANGES:	C4FS-S216ECC	C4FS-S216ECO	FB250CTWx1CPCC	FB250CTWx1CPOC	C4F100SSEC
----------------------	---------------------	---------------------	-----------------------	-----------------------	-------------------

SHUR-SEAL



Shaft Dia. (in.)	AMI Unit #		List Price	Dimensions (in.)							Bolt Size (in.)	Bearing #	Housing #	Weight (lb.)
	1 Open Cover with Back Seal	1 Closed Cover with Back Seal		A	E	G	X	S	Z	B				
3/4	BFPL4-12MZ2C	BFPL4-12MZ2CE		3-3/8	2-1/2	17/32	1-3/32	7/16	1-7/8	0.972	3/8	B4-12M22	FPL204	0.68
	BFPL5-16MZ2C	BFPL5-16MZ2CE		3-3/4	2-3/4	9/16	1-7/64	7/16	1-59/64	1.063		B5-16M22	FPL205	0.77
1-1/8	BFPL6-18MZ2C	BFPL6-18MZ2CE		4-1/4	3-1/4	9/16	1-1/4	7/16	2-9/32	1.193	3/8	B6-18M22		1.15
1-3/16	BFPL6-19MZ2C	BFPL6-19MZ2CE										B6-19M22	FPL206	1.10
1-1/4	BFPL6-20MZ2C	BFPL6-20MZ2CE										B6-20M22		1.06
1-1/4	BFPL7-20MZ2C	BFPL7-20MZ2CE										B7-20M22		1.69
1-3/8	BFPL7-22MZ2C	BFPL7-22MZ2CE		4-5/8	3-5/8	39/64	1-3/8	33/64	2-29/64	1.295	1/2	B7-22M22	FPL207	1.58
1-7/16	BFPL7-23MZ2C	BFPL7-23MZ2CE										B7-23M22		1.54
1-1/2	BFPL8-24MZ2C	BFPL8-24MZ2CE		5-1/8	4	43/64	1-15/32	35/64	2-51/64	1.397	1/2	B8-24M22	FPL208	2.12

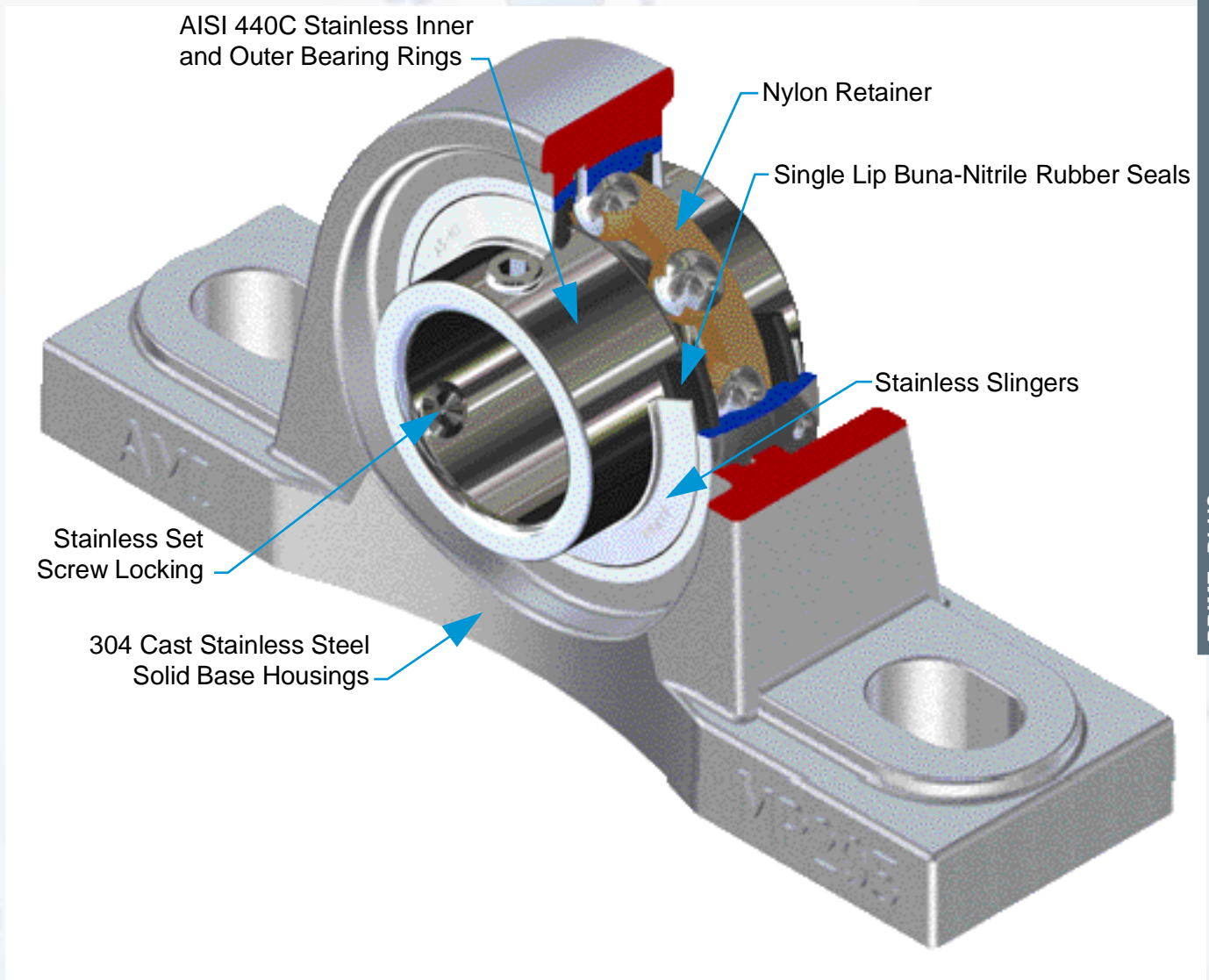
NOTE: For Thermoplastic units please specify one of the following suffixes after the part number: "W" for a white housing or "B" for a black housing. For Shur-Seal Flange units please specify one of the following suffixes after the size: "C" for 1 open cover or "CE" for 1 closed cover. (Example: BFPL5-16MZ2CW = White Four-Bolt Flange with 1 open cover and Back Seal)
Lubrication fitting Tap Size 1/4-28 UNF

INTERCHANGES: C4FS-Z216ECC | C4FS-Z216ECO | F4B-SCEZ-100PCRECC | F4B-SCEZ-100PCRECO

KF-S216DC | KF-S216D | CRFC-PW16ECC | CRFC-PW16ECO

PRIME PLUS SERIES

(Stainless Steel Insert in Stainless Steel Housing)



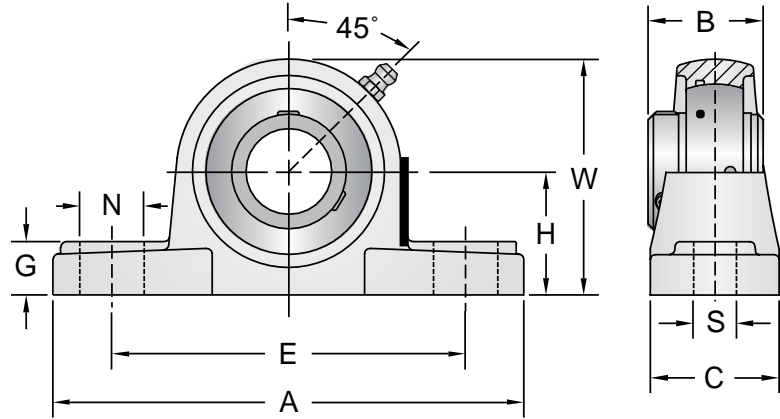
PRIME PLUS

Bore Size Range Availability: 1/2" to 2-1/2" and 15mm to 65mm

MUCP 205 - 16



Normal Duty • Wide Inner Ring • 0°F ~ 212°F • H1 Approved Food Grade Grease



PRIME PLUS

Shaft Dia. (in.)	AMI Unit #	List Price	Dimensions (in.)										Bolt Size (in.)	Bearing #	Housing #	Weight (lb.)	
			H	A	Min.	Max.	C	S	N	G	W	B					
1/2	MUCP201-8														MUC201-8		1.80
5/8	MUCP202-10		1-5/16	5	3-3/8	4-1/8	1-1/2	1/2	3/4	19/32	2-9/16	1.220	3/8	MUC202-10	MP204	1.76	
3/4	MUCP204-12													MUC204-12		1.70	
7/8	MUCP205-14													MUC205-14		1.98	
15/16	MUCP205-15		1-7/16	5-1/2	3-3/4	4-1/2	1-1/2	1/2	3/4	5/8	2-3/4	1.339	3/8	MUC205-15	MP205	1.94	
1	MUCP205-16													MUC205-16		1.90	
1-1/8	MUCP206-18													MUC206-18		3.06	
1-3/16	MUCP206-19		1-11/16	6-1/2	4-7/16	5-1/16	1-7/8	21/32	13/16	23/32	3-9/32	1.500	1/2	MUC206-19	MP206	3.02	
1-1/4	MUCP206-20													MUC206-20		2.96	
1-1/4	MUCP207-20													MUC207-20		4.12	
1-5/16	MUCP207-21		1-7/8	6-9/16	4-11/16	5-5/16	1-7/8	21/32	13/16	3/4	3-11/16	1.689	1/2	MUC207-21	MP207	4.06	
1-3/8	MUCP207-22													MUC207-22		4.00	
1-7/16	MUCP207-23													MUC207-23		3.94	
1-1/2	MUCP208-24		1-15/16	7-1/4	4-7/8	5-7/8	2-1/8	21/32	1	3/4	3-15/16	1.937	1/2	MUC208-24	MP208	5.10	
1-11/16	MUCP209-27		2-1/8	7-1/2	5-3/8	6-1/8	2-1/8	21/32	7/8	25/32	4-1/4	1.937	1/2	MUC209-27	MP209	5.82	
1-3/4	MUCP209-28													MUC209-28		5.72	
1-7/8	MUCP210-30													MUC210-30		7.18	
1-15/16	MUCP210-31		2-1/4	8-1/8	5-7/8	6-5/8	2-3/8	25/32	1	7/8	4-1/2	2.031	5/8	MUC210-31	MP210	7.08	
2	MUCP210-32													MUC210-32		6.96	
2	MUCP211-32													MUC211-32		8.82	
2-3/16	MUCP211-35		2-1/2	8-5/8	6-3/8	7-1/8	2-3/8	25/32	1	7/8	4-31/32	2.189	5/8	MUC211-35	MP211	8.46	
2-7/16	MUCP212-39		2-3/4	9-1/2	6-7/8	7-5/8	2-3/4	25/32	1	1	5-7/16	2.563	5/8	MUC212-39	MP212	11.40	
2-1/2	MUCP213-40		3	10-7/16	7-19/32	8-13/32	2-3/4	1	1-5/32	1-1/16	5-29/32	2.563	3/4	MUC213-40	MP213	14.14	
Dimensions (mm)																	
12	MUCP201													MUC201		1.80	
15	MUCP202		33.3	127	86	105	38	13	19	15	65	31	M10	MUC202	MP204	1.76	
17	MUCP203													MUC203		1.74	
20	MUCP204		33.3	127	86	105	38	13	19	15	65	31	M10	MUC204	MP204	1.70	
25	MUCP205		36.5	140	95	114	38	13	19	16	70	34	M10	MUC205	MP205	1.92	
30	MUCP206		42.9	165	113	129	48	17	21	18	83	38.1	M14	MUC206	MP206	3.02	
35	MUCP207		47.6	167	119	135	48	17	21	19	94	42.9		MUC207	MP207	4.00	
40	MUCP208		49.2	184	124	149	54	17	25	19	100	49.2	M14	MUC208	MP208	5.02	
45	MUCP209		54.0	190	137	156	54	17	22	20	108	49.2		MUC209	MP209	5.70	
50	MUCP210		57.2	206	149	168	60	20	25	22	114	51.6		MUC210	MP210	7.02	
55	MUCP211		63.5	219	162	181	60	20	25	22	126	55.6	M16	MUC211	MP211	8.57	
60	MUCP212		69.8	241	175	194	70	20	25	25	138	65.1		MUC212	MP212	11.62	
65	MUCP213		76.2	265	193	214	70	25	29	27	150	65.1	M20	MUC213	MP213	13.96	

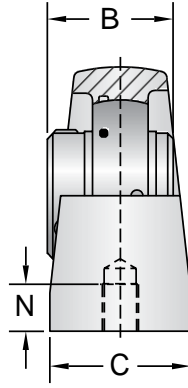
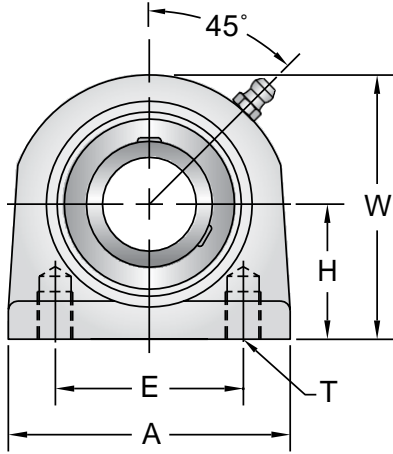
NOTE: Lubrication fitting Tap Size for 1" and smaller shaft sizes, 1/4-28 UNF; for all other sizes, 1/8-27 NPT

INTERCHANGES: SPS-S216 SUCSP205-16 SPB100SS

TAPPED BASE PILLOW BLOCK UNITS

Stainless Insert detail-pg. 82 • RF Patent Seal-pg. 90

MUCTB 200

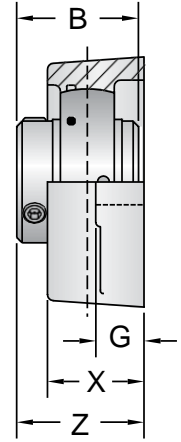
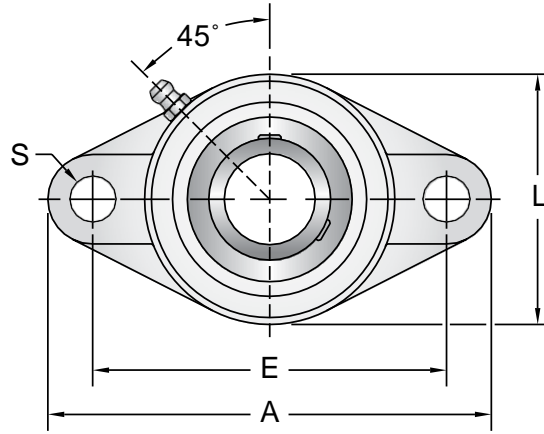


Shaft Dia. (in.)	AMI Unit #	List Price	Dimensions (in.)							Bolt Holes (UNC Thread) T	Bearing #	Housing #	Weight (lb.)		
			H	A	E	C	N	W	B						
1/2	MUCTB201-8														
5/8	MUCTB202-10		1-5/16	2-7/8	2	1-1/2	1/2	2-9/16	1.220	3/8-16	MUC201-8	MTB204	1.52		
3/4	MUCTB204-12										MUC202-10		1.48		
											MUC204-12		1.42		
7/8	MUCTB205-14										MUC205-14		1.68		
15/16	MUCTB205-15		1-7/16	3	2	1-1/2	1/2	2-13/16	1.339	3/8-16	MUC205-15	MTB205	1.64		
1	MUCTB205-16										MUC205-16		1.60		
1-1/8	MUCTB206-18										MUC206-18		2.74		
1-3/16	MUCTB206-19		1-11/16	4	3	1-1/2	5/8	3-3/8	1.500	7/16-14	MUC206-19	MTB206	2.70		
1-1/4	MUCTB206-20										MUC206-20		2.64		
1-1/4	MUCTB207-20										MUC207-20		3.86		
1-5/16	MUCTB207-21										MUC207-21	MTB207	3.80		
1-3/8	MUCTB207-22		1-7/8	4-1/4	3-1/4	1-7/8	3/4	3-3/4	1.689	1/2-13	MUC207-22		3.74		
1-7/16	MUCTB207-23										MUC207-23		3.68		
1-1/2	MUCTB208-24		1-15/16	4-5/8	3-1/2	1-7/8	3/4	3-15/16	1.937	1/2-13	MUC208-24	MTB208	4.10		
Dimensions (mm)															
12	MUCTB201										MUC201		1.52		
15	MUCTB202		33.3	73.0	50.8	38	12.5	65	31.0	3/8-16	MUC202	MTB204	1.48		
17	MUCTB203										MUC203		1.46		
20	MUCTB204		33.3	73.0	50.8	38	12.5	65	31.0	3/8-16	MUC204	MTB204	1.42		
25	MUCTB205		36.5	76.2	50.8	38	12.5	71.4	34.0	3/8-16	MUC205	MTB205	1.62		
30	MUCTB206		42.9	101.6	76.2	38	16.0	85.7	38.1	7/16-14	MUC206	MTB206	2.70		
35	MUCTB207		47.6	108	82.5	47.6	19.0	95.3	42.9		MUC207	MTB207	3.74		
40	MUCTB208		49.2	117.5	88.9	47.6	19.0	100.0	49.2	1/2-13	MUC208	MTB208	4.02		

NOTE: Lubrication fitting Tap Size for 1" and smaller shaft sizes, 1/4-28 UNF; for all other sizes, 1/8-27 NPT

INTERCHANGES: STBS-S216 SUCSPA205-16 STB100SS

PRIME PLUS

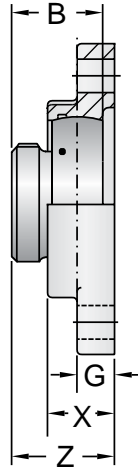
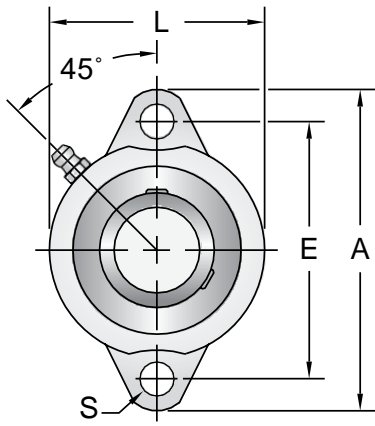


PRIME PLUS

Shaft Dia. (in.)	AMI Unit #	List Price	Dimensions (in.)								Bolt Size (in.)	Bearing #	Housing #	Weight (lb.)		
			A	E	G	X	S	L	Z	B						
1/2	MUCFL201-8															1.10
5/8	MUCFL202-10		4-13/32	3-17/32	7/16	31/32	13/32	2-3/8	1-9/32	1.220	3/8	MUC202-10	MFL204		1.06	
3/4	MUCFL204-12											MUC204-12			1.00	
7/8	MUCFL205-14											MUC205-14			1.42	
15/16	MUCFL205-15		4-7/8	3-57/64	17/32	1-1/16	1/2	2-3/4	1-13/32	1.339	7/16	MUC205-15	MFL205		1.38	
1	MUCFL205-16											MUC205-16			1.34	
1-1/8	MUCFL206-18											MUC206-18			1.94	
1-3/16	MUCFL206-19		5-9/16	4-19/32	17/32	1-3/16	12	3-1/4	1-37/64	1.500	7/16	MUC206-19	MFL206		1.90	
1-1/4	MUCFL206-20											MUC206-20			1.84	
1-1/4	MUCFL207-20											MUC207-20			2.74	
1-5/16	MUCFL207-21											MUC207-21	MFL207		2.68	
1-3/8	MUCFL207-22		6-1/8	5-1/8	9/16	1-11/32	35/64	3-3/4	1-3/4	1.689	1/2	MUC207-22			2.62	
1-7/16	MUCFL207-23											MUC207-23			2.56	
1-1/2	MUCFL208-24		6-3/4	5-21/32	9/16	1-1/2	35/64	4-1/8	2-1/64	1.937	1/2	MUC208-24	MFL208		3.54	
1-11/16	MUCFL209-27											MUC209-27	MFL209		4.10	
1-3/4	MUCFL209-28		7-1/16	5-27/32	9/16	1-9/16	5/8	4-3/8	2-3/64	1.937	9/16	MUC209-28			4.00	
1-7/8	MUCFL210-30											MUC210-30			4.86	
1-15/16	MUCFL210-31		7-7/16	6-3/16	9/16	1-9/16	5/8	4-9/16	2-5/32	2.031	9/16	MUC210-31	MFL210		4.76	
2	MUCFL210-32											MUC210-32			4.64	
Dimensions (mm)																
12	MUCFL201											MUC201			1.10	
15	MUCFL202		112	89.7	11	25	10.5	60	32.6	31	M8	MUC202	MFL204		1.06	
17	MUCFL203											MUC203			1.04	
20	MUCFL204		112	89.7	11	25	10.5	60	32.6	31	M8	MUC204	MFL204		1.00	
25	MUCFL205		124	98.8	13	27	12.5	70	35.6	34	M10	MUC205	MFL205		1.36	
30	MUCFL206		141	116.7	13	30	12.5	83	40.1	38.1	M10	MUC206	MFL206		1.90	
35	MUCFL207		156	130.2	14	34	14	95	44.5	42.9	M12	MUC207	MFL207		2.62	
40	MUCFL208		171	143.7	14	38	14	105	51.2	49.2	M12	MUC208	MFL208		3.46	
45	MUCFL209		179	148.4	14	40	16	111	52.0	49.2	M14	MUC209	MFL209		3.98	
50	MUCFL210		189	157.2	14	40	16	116	54.8	51.6	M14	MUC210	MFL210		4.70	

NOTE: Lubrication fitting Tap Size for 1" and smaller shaft sizes, 1/4-28 UNF; for all other sizes, 1/8-27 NPT

INTERCHANGES: SF2S-S216 SUCSFL205-16 S2F100SS

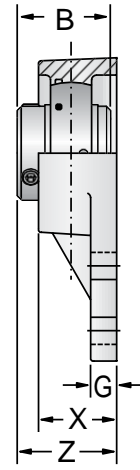
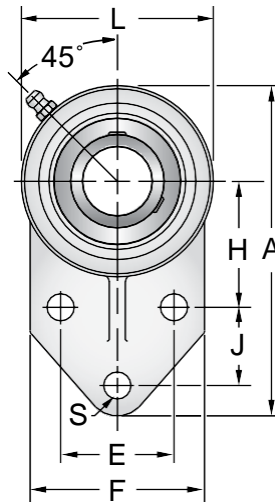


Shaft Dia. (in.)	AMI Unit #	List Price	Dimensions (in.)								Bolt Size (in.)	Bearing #	Housing #	Weight (lb.)
			A	E	G	X	S	L	Z	B				
1/2	MBLFL1-8		3-3/16	2-1/2	3/8	23/32	9/32	2-3/16	1	0.866	1/4	MB1-8	MLFL3	0.54
5/8	MBLFL2-10		3-9/16	2-13/16	7/16	25/32	25/64	2-15/32	1-1/8	0.972	5/16	MB2-10	MLFL3	0.52
3/4	MBLFL4-12		3-3/4	3	7/16	25/32	25/64	2-23/32	1-13/64	1.063	5/16	MB4-12	MLFL4	0.68
1	MBLFL5-16		4-7/16	3-9/16	15/32	7/8	15/32	3-3/32	1-11/32	1.193	3/8	MB5-16	MLFL5	0.74
1-1/4	MBLFL6-20											MB6-20	MLFL6	1.12
Dimensions (mm)														
20	MBLFL4		90	71.5	11	20	10	63	28.7	24.7	M8	MB4	MLFL4	0.66
25	MBLFL5		95	76.2	11	20	10	69	30.5	27	M8	MB5	MLFL5	0.74
30	MBLFL6		113	90.5	12	22.5	12	79	34.3	30.3	M10	MB6	MLFL6	1.16

NOTE: Lubrication fitting Tap Size for 1" and smaller shaft sizes, 1/4-28 UNF; for all other sizes, 1/8-27 NPT

INTERCHANGES: AMI EXCLUSIVE

PRIME PLUS

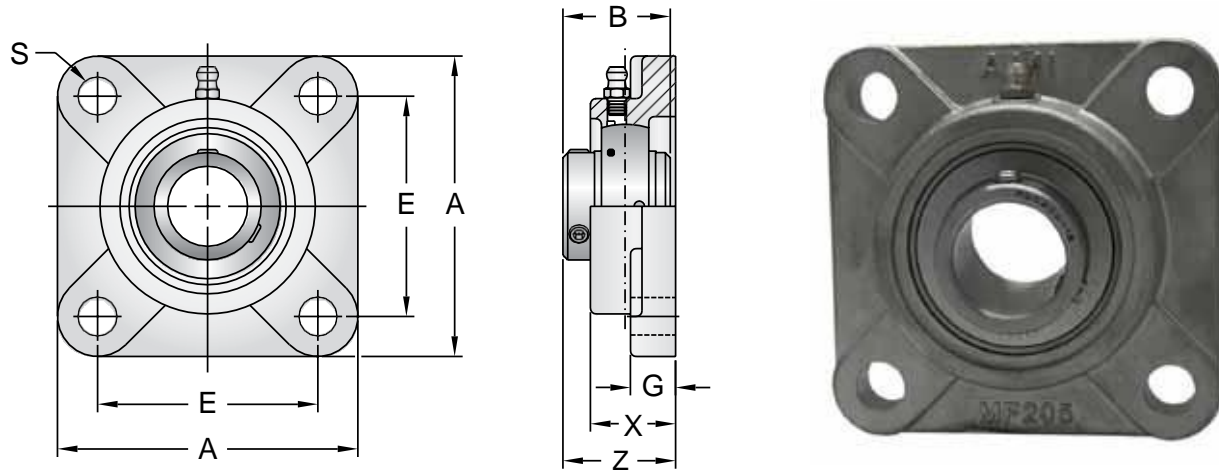


PRIME PLUS

Shaft Dia. (in.)	AMI Unit #	List Price	Dimensions (in.)										Bolt Size (in.)	Bearing #	Housing #	Weight (lb.)		
			A	H	E	J	G	X	S	L	F	Z					B	
1/2	MUCFB201-8															MUC201-8		1.32
5/8	MUCFB202-10		4-1/4	1-11/16	1-1/2	7/8	5/16	1	25/64	2-1/2	2-3/8	1-11/32	1.220	3/8	MUC202-10	MFB204	1.28	
3/4	MUCFB204-12														MUC204-12		1.22	
7/8	MUCFB205-14														MUC205-14		1.66	
15/16	MUCFB205-15		4-3/4	1-13/16	1-5/8	1-1/8	3/8	1-1/8	25/64	2-3/4	2-1/2	1-7/16	1.339	3/8	MUC205-15	MFB205	1.62	
1	MUCFB205-16														MUC205-16		1.58	
1-1/8	MUCFB206-18														MUC206-18		2.26	
1-3/16	MUCFB206-19		5-3/8	2-1/16	1-7/8	1-1/4	3/8	1-1/4	25/64	3-1/4	2-3/4	1-39/64	1.500	3/8	MUC206-19	MFB206	2.22	
1-1/4	MUCFB206-20														MUC206-20		2.16	
1-1/4	MUCFB207-20														MUC207-20		3.64	
1-5/16	MUCFB207-21														MUC207-21	MFB207	3.58	
1-3/8	MUCFB207-22		6-1/8	2-3/8	2	1-1/4	1/2	1-7/16	33/64	3-3/4	3-1/4	1-53/64	1.689	1/2	MUC207-22		3.52	
1-7/16	MUCFB207-23														MUC207-23		3.46	
1-1/2	MUCFB208-24		6-15/32	2-3/8	1-31/32	1-5/8	5/8	1-13/32	15/32	3-15/16	3-1/16	2-1/64	1.937	7/16	MUC208-24	MFB208	4.04	
Dimensions (mm)																		
12	MUCFB201															MUC201		1.32
15	MUCFB202		108	42.9	38.1	22.2	8	25.4	10	63.5	60.3	34.2	31	M8	MUC202	MFB204	1.28	
17	MUCFB203														MUC203		1.26	
20	MUCFB204		108	42.9	38.1	22.2	8	25.4	10	63.5	60.3	34.2	31		MUC204	MFB204	1.22	
25	MUCFB205		120.7	46	41.3	28.6	9.5	28.6	10	70	63.5	36.4	34	M8	MUC205	MFB205	1.60	
30	MUCFB206		136.5	52.4	47.6	31.7	9.5	31.7	10	82.6	70	40.8	38.1		MUC206	MFB206	2.22	
35	MUCFB207		155.6	60.3	50.8	31.7	12.7	36.5	13	95.3	82.6	46.4	42.9	M10	MUC207	MFB207	3.52	
40	MUCFB208		164	60.3	50.0	41.3	16	35.7	12	100	78	51.2	49.2	M10	MUC208	MFB208	3.96	

NOTE: Lubrication fitting Tap Size for 1" and smaller shaft sizes, 1/4-28 UNF; for all other sizes, 1/8-27 NPT

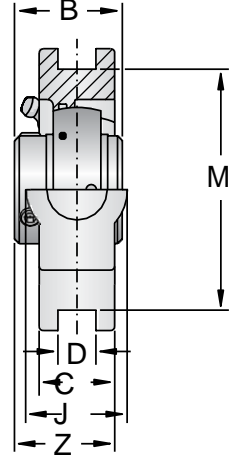
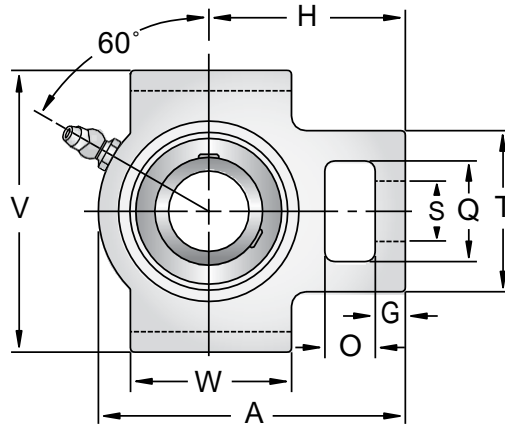
INTERCHANGES: SUCSFB205-16



Shaft Dia. (in.)	AMI Unit #	List Price	Dimensions (in.)							Bolt Size (in.)	Bearing #	Housing #	Weight (lb.)
			A	E	G	X	S	Z	B				
1/2	MUCF201-8										MUC201-8		1.50
5/8	MUCF202-10		3-3/8	2-1/2	15/32	1	7/16	1-5/16	1.220	3/8	MUC202-10	MF204	1.46
3/4	MUCF204-12										MUC204-12		1.40
7/8	MUCF205-14										MUC205-14		2.04
15/16	MUCF205-15		3-3/4	2-3/4	9/16	1-1/16	15/32	1-13/32	1.339	7/16	MUC205-15	MF205	2.00
1	MUCF205-16										MUC205-16		1.96
1-1/8	MUCF206-18										MUC206-18		2.60
1-3/16	MUCF206-19		4-1/4	3-1/4	9/16	1-7/32	15/32	1-37/64	1.500	7/16	MUC206-19	MF206	2.56
1-1/4	MUCF206-20										MUC206-20		2.50
1-1/4	MUCF207-20										MUC207-20		3.56
1-5/16	MUCF207-21		4-5/8	3-5/8	5/8	1-11/32	17/32	1-3/4	1.689	1/2	MUC207-21	MF207	3.50
1-3/8	MUCF207-22										MUC207-22		3.44
1-7/16	MUCF207-23										MUC207-23		3.38
1-1/2	MUCF208-24		5-1/8	4	5/8	1-13/32	17/32	2-1/64	1.937	1/2	MUC208-24	MF208	4.52
1-11/16	MUCF209-27		5-3/8	4-1/8	23/32	1-1/2	19/32	2-1/16	1.937	9/16	MUC209-27	MF209	5.28
1-3/4	MUCF209-28										MUC209-28		5.18
1-7/8	MUCF210-30										MUC210-30		5.92
1-15/16	MUCF210-31		5-5/8	4-3/8	23/32	1-9/16	19/32	2-5/32	2.031	9/16	MUC210-31	MF210	5.82
2	MUCF210-32										MUC210-32		5.70
2	MUCF211-32										MUC211-32		8.86
2-3/16	MUCF211-35		6-3/8	5-1/8	25/32	1-11/16	21/32	2-19/64	2.189	5/8	MUC211-35	MF211	8.50
2-7/16	MUCF212-39		6-7/8	5-5/8	25/32	1-7/8	21/32	2-45/64	2.563	5/8	MUC212-39	MF212	10.06
2-1/2	MUCF213-40		7-3/8	5-7/8	25/32	1-31/32	21/32	2-3/4	2.563	5/8	MUC213-40	MF213	12.44
Dimensions (mm)													
12	MUCF201										MUC201		1.50
15	MUCF202		86	64	12	25.4	11	33.3	31	M8	MUC202	MF204	1.46
17	MUCF203										MUC203		1.44
20	MUCF204		86	64	12	25.4	11	33.3	31		MUC204	MF204	1.40
25	MUCF205		95	70	14	27	12	35.7	34	M10	MUC205	MF205	1.98
30	MUCF206		108	83	14	31	12	40.2	38.1		MUC206	MF206	2.56
35	MUCF207		117	92	16	34	13.5	44.4	42.9	M12	MUC207	MF207	3.44
40	MUCF208		130	102	16	36	13.5	51.2	49.2	M12	MUC208	MF208	4.44
45	MUCF209		137	105	18	38	15	52.2	49.2	M14	MUC209	MF209	5.16
50	MUCF210		143	111	18	40	15	54.6	51.6	M14	MUC210	MF210	5.76
55	MUCF211		162	130	20	43	17	58.4	55.6	M16	MUC211	MF211	8.61
60	MUCF212		175	143	20	48	17	68.7	65.1	M16	MUC212	MF212	10.28
65	MUCF213		187	149	20	50	17	69.7	65.1	M16	MUC213	MF213	12.26

NOTE: Lubrication fitting Tap Size for 1" and smaller shaft sizes, 1/4-28 UNF; for all other sizes, 1/8-27 NPT

INTERCHANGES: SF4S-S216 SUCSF205-16 S24F100SS



PRIME PLUS

Shaft Dia. (in.)	AMI Unit #	List Price	Dimensions (in.)															Bearing #	Housing #	Weight (lb.)
			O	G	T	Q	S	W	D	M	V	A	J	C	H	Z	B			
1/2	MUCT201-8																	MUC201-8		1.86
5/8	MUCT202-10		5/8	3/8	2	1-1/4	3/4	2	0.472	3	3-1/2	3-11/16	1-1/4	13/16	2-13/32	1-9/64	1.220	MUC202-10	MT204	1.82
3/4	MUCT204-12																	MUC204-12		1.76
7/8	MUCT205-14																	MUC205-14		1.86
15/16	MUCT205-15		5/8	3/8	2	1-1/4	3/4	2	0.472	3	3-1/2	3-13/16	1-1/4	15/16	2-7/16	1-1/4	1.339	MUC205-15	MT205	1.82
1	MUCT205-16																	MUC205-16		1.78
1-1/8	MUCT206-18																	MUC206-18		2.80
1-3/16	MUCT206-19		5/8	3/8	2-3/16	1-29/64	7/8	2-1/4	0.472	3-1/2	4-1/64	4-7/16	1-29/64	1-3/32	2-3/4	1-27/64	1.500	MUC206-19	MT206	2.76
1-1/4	MUCT206-20																	MUC206-20		2.70
1-1/4	MUCT207-20																	MUC207-20		3.64
1-5/16	MUCT207-21																	MUC207-21		3.58
1-3/8	MUCT207-22		5/8	1/2	2-1/2	1-29/64	7/8	2-1/2	0.472	3-1/2	4-1/64	5-5/64	1-29/64	1-3/16	3-5/64	1-19/32	1.689	MUC207-22	MT207	3.52
1-7/16	MUCT207-23																	MUC207-23		3.46
1-1/2	MUCT208-24		3/4	5/8	3-1/4	1-15/16	1-1/8	3-1/4	0.630	4-1/64	4-1/2	5-11/16	1-15/16	1-5/16	3-15/32	1-27/32	1.937	MUC208-24	MT208	5.42
			Dimensions (mm)																	
12	MUCT201																	MUC201		1.86
15	MUCT202		16	10	51	32	19	51	12	76	89	94	32	21	61	28.8	31	MUC202	MT204	1.82
17	MUCT203																	MUC203		1.80
20	MUCT204		16	10	51	32	19	51	12	76	89	94	32	21	61	28.8	31	MUC204	MT204	1.76
25	MUCT205		16	10	51	32	19	51	12	76	89	97	32	24	62	31.7	34	MUC205	MT205	1.80
30	MUCT206		16	10	56	37	22	57	12	89	102	113	37	28	70	36.2	38.1	MUC206	MT206	2.76
35	MUCT207		16	13	64	37	22	64	12	89	102	129	37	30	78	40.4	42.9	MUC207	MT207	3.52
40	MUCT208		19	16	83	49	29	83	16	102	114	144	49	33	88	46.7	49.2	MUC208	MT208	5.34

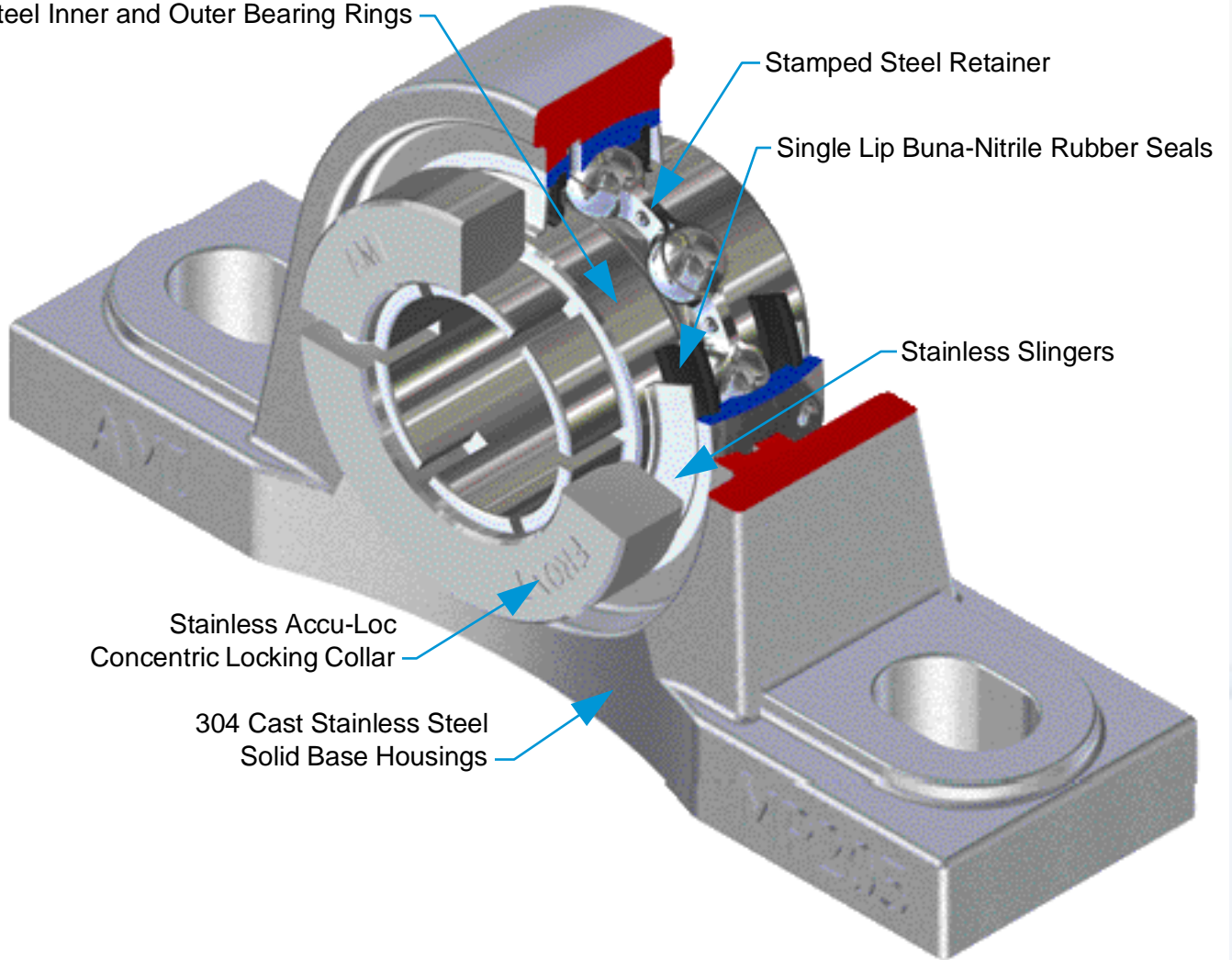
NOTE: Lubrication fitting Tap Size for 1" and smaller shaft sizes, 1/4-28 UNF; for all other sizes, 1/8-27 NPT

INTERCHANGES: STW100SS

CHOICE PLUS SERIES

(Kanigen Corrosion Resistant Bearing Insert in Stainless Steel Housing)

Kanigen Corrosion Resistant AISI 52100
Steel Inner and Outer Bearing Rings



Stamped Steel Retainer

Single Lip Buna-Nitrile Rubber Seals

Stainless Slings

Stainless Accu-Loc
Concentric Locking Collar

304 Cast Stainless Steel
Solid Base Housing

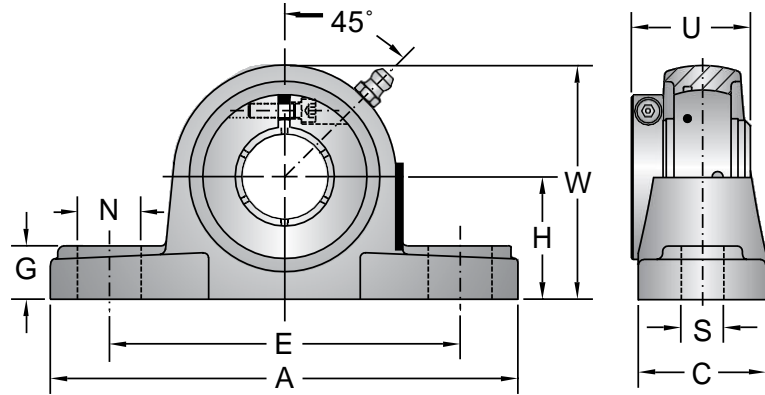
CHOICE PLUS

Bore Size Range Availability: 3/4" to 1-1/2"

UE MP 205 - 16 MZ 20



Normal Duty • Wide Inner Ring • 0°F ~ 212°F • H1 Approved Food Grade Grease



CHOICE PLUS

Shaft Dia. (in.)	AMI Unit #	List Price	H	A	E		C	S	N	G	W	U	Bolt Size (in.)	Bearing	Housing	Weight (lb.)
					Min.	Max.								#	#	
3/4	UEMP204-12MZ20		1-5/16	5	3-3/8	4-1/8	1-1/2	1/2	3/4	19/32	2-9/16	1.299	3/8	UE204-12MZ20	MP204	1.86
1	UEMP205-16MZ20		1-7/16	5-1/2	3-3/4	4-1/2	1-1/2	1/2	3/4	5/8	2-3/4	1.394	3/8	UE205-16MZ20	MP205	2.06
1-3/16	UEMP206-19MZ20		1-11/16	6-1/2	4-7/16	5-1/16	1-7/8	21/32	13/16	23/32	3-9/32	1.567	1/2	UE206-19MZ20	MP206	3.22
1-1/4	UEMP206-20MZ20	UE206-20MZ20												3.16		
1-1/4	UEMP207-20MZ20		1-7/8	6-9/16	4-11/16	5-5/16	1-7/8	21/32	13/16	3/4	3-11/16	1.728	1/2	UE207-20MZ20	MP207	4.36
1-7/16	UEMP207-23MZ20	UE207-23MZ20												4.20		
1-1/2	UEMP208-24MZ20		1-15/16	7-1/4	4-7/8	5-7/8	2-1/8	21/32	1	3/4	3-15/16	1.976	1/2	UE208-24MZ20	MP208	5.40

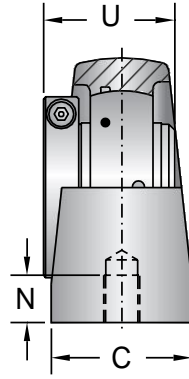
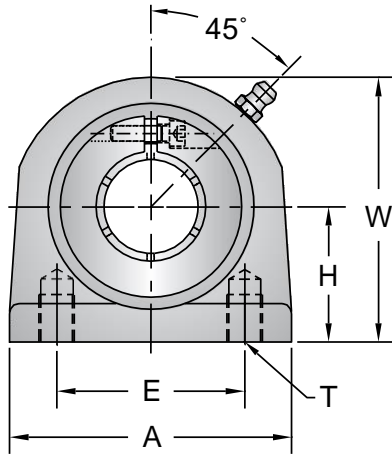
NOTE: Lubrication fitting Tap Size for 1" and smaller shaft sizes, 1/4-28 UNF; for all other sizes, 1/8-27 NPT

INTERCHANGES: P2B-DLEZ-100SHCR CRPS-PN16T

TAPPED BASE PILLOW BLOCK UNITS

Kanigen Insert detail-pg. 88 • RF Patent Seal-pg. 90

UEMTB 200MZ20

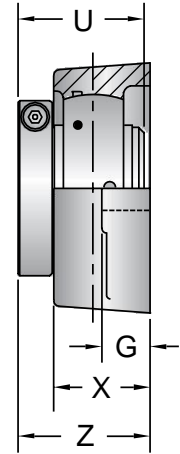
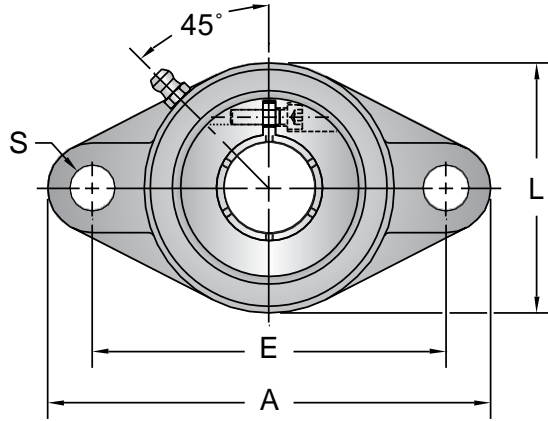


Shaft Dia. (in.)	AMI Unit #	List Price	Dimensions (in.)							Bolt Holes (UNC Thread) T	Bearing #	Housing #	Weight (lb.)
			H	A	E	C	N	W	U				
3/4	UEMTB204-12MZ20		1-5/16	2-7/8	2	1-1/2	1/2	2-9/16	1.299	3/8-16	UE204-12MZ20	MTB204	1.58
1	UEMTB205-16MZ20		1-7/16	3	2	1-1/2	1/2	2-13/16	1.394	3/8-16	UE205-16MZ20	MTB205	1.76
1-3/16	UEMTB206-19MZ20		1-11/16	4	3	1-1/2	5/8	3-3/8	1.567	7/16-14	UE206-19MZ20	MTB206	2.90
1-1/4	UEMTB206-20MZ20	UE206-20MZ20											
1-1/4	UEMTB207-20MZ20		1-7/8	4-1/4	3-1/4	1-7/8	3/4	3-3/4	1.728	1/2-13	UE207-20MZ20	MTB207	4.10
1-7/16	UEMTB207-23MZ20	UE207-23MZ20											
1-1/2	UEMTB208-24MZ20		1-15/16	4-5/8	3-1/2	1-7/8	3/4	3-15/16	1.976	1/2-13	UE208-24MZ20	MTB208	4.40

NOTE: Lubrication fitting Tap Size for 1" and smaller shaft sizes, 1/4-28 UNF; for all other sizes, 1/8-27 NPT

INTERCHANGES: AMI EXCLUSIVE

CHOICE PLUS



CHOICE PLUS

Shaft Dia. (in.)	AMI Unit #	List Price	Dimensions (in.)								Bolt Size (in.)	Bearing #	Housing #	Weight (lb.)
			A	E	G	X	S	L	Z	U				
3/4	UEMFL204-12MZ20		4-13/32	3-17/32	7/16	31/32	13/32	2-3/8	1-23/64	1.299	3/8	UE204-12MZ20	MFL204	1.16
1	UEMFL205-16MZ20		4-7/8	3-57/64	17/32	1-1/16	1/2	2-3/4	1-29/64	1.394	7/16	UE205-16MZ20	MFL205	1.50
1-3/16	UEMFL206-19MZ20		5-9/16	4-19/32	17/32	1-3/16	1/2	3-1/4	1-41/64	1.567	7/16	UE206-19MZ20	MFL206	2.10
1-1/4	UEMFL206-20MZ20	UE206-20MZ20												
1-1/4	UEMFL207-20MZ20		6-1/8	5-1/8	9/16	1-11/32	35/64	3-3/4	1-25/32	1.728	1/2	UE207-20MZ20	MFL207	2.98
1-7/16	UEMFL207-23MZ20	UE207-23MZ20												
1-1/2	UEMFL208-24MZ20		6-3/4	5-21/32	9/16	1-1/2	35/64	4-1/8	2-1/16	1.976	1/2	UE208-24MZ20	MFL208	3.84

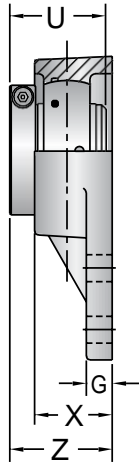
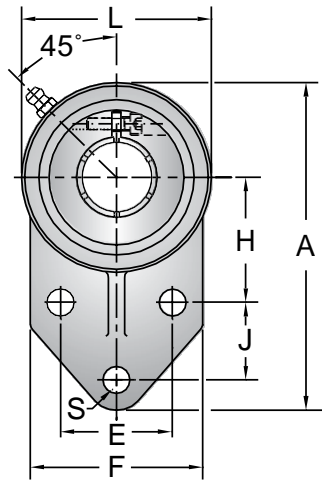
NOTE: Lubrication fitting Tap Size for 1" and smaller shaft sizes, 1/4-28 UNF; for all other sizes, 1/8-27 NPT

INTERCHANGES: F2B-DLEZ-100SHCR CRFTS-PN16T

THREE-BOLT FLANGE BRACKET UNITS

Kanigen Insert detail-pg. 88 • RF Patent Seal-pg. 90

UEMFB 200MZ20

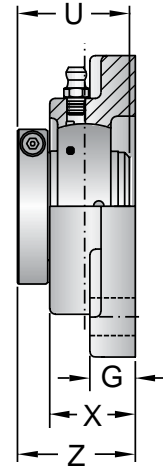
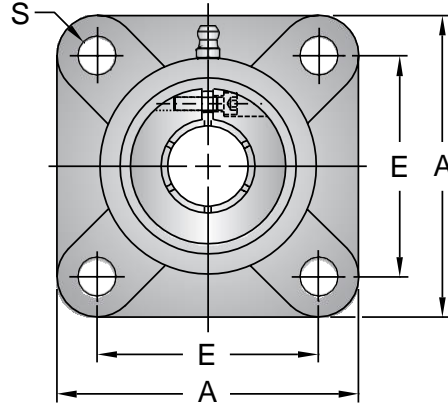


Shaft Dia. (in.)	AMI Unit #	List Price	Dimensions (in.)											Bolt Size (in.)	Bearing #	Housing #	Weight (lb.)
			A	H	E	J	G	X	S	L	F	Z	U				
3/4	UEMFB204-12MZ20		4-1/4	1-11/16	1-1/2	7/8	5/16	1	25/64	2-1/2	2-3/8	1-27/64	1.299	3/8	UE204-12MZ20	MFB204	1.38
1	UEMFB205-16MZ20		4-3/4	1-13/16	1-5/8	1-1/8	3/8	1-1/8	25/64	2-3/4	2-1/2	1-31/64	1.394	3/8	UE205-16MZ20	MFB205	1.74
1-3/16	UEMFB206-19MZ20		5-3/8	2-1/16	1-7/8	1-1/4	3/8	1-1/4	25/64	3-1/4	2-3/4	1-43/64	1.567	3/8	UE206-19MZ20	MFB206	2.42
1-1/4	UEMFB206-20MZ20														UE206-20MZ20		2.36
1-1/4	UEMFB207-20MZ20														UE207-20MZ20	MFB207	3.88
1-7/16	UEMFB207-23MZ20		6-1/8	2-3/8	2	1-1/4	1/2	1-7/16	33/64	3-3/4	3-1/4	1-55/64	1.728	1/2	UE207-23MZ20		3.72
1-1/2	UEMFB208-24MZ20		6-15/32	2-3/8	1-31/32	1-5/8	5/8	1-13/32	15/32	3-15/16	3-1/16	2-1/16	1.976	7/16	UE208-24MZ20	MFB208	4.34

NOTE: Lubrication fitting Tap Size for 1" and smaller shaft sizes, 1/4-28 UNF; for all other sizes, 1/8-27 NPT

INTERCHANGES: CRFBS-PN16T

CHOICE PLUS

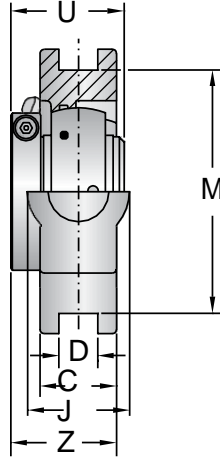
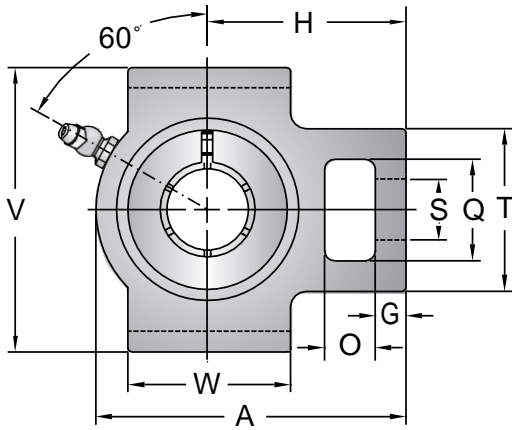


CHOICE PLUS

Shaft Dia. (in.)	AMI Unit #	List Price	Dimensions (in.)							Bolt Size (in.)	Bearing #	Housing #	Weight (lb.)
			A	E	G	X	S	Z	U				
3/4	UEMF204-12MZ20		3-3/8	2-1/2	15/32	1	7/16	1-25/64	1.299	3/8	UE204-12MZ20	MF204	1.56
1	UEMF205-16MZ20		3-3/4	2-3/4	9/16	1-1/16	15/32	1-15/32	1.394	7/16	UE205-16MZ20	MF205	2.12
1-3/16	UEMF206-19MZ20		4-1/4	3-1/4	9/16						UE206-19MZ20	MF206	2.76
1-1/4	UEMF206-20MZ20										UE206-20MZ20		2.70
1-1/4	UEMF207-20MZ20										UE207-20MZ20	MF207	3.80
1-7/16	UEMF207-23MZ20										UE207-23MZ20		3.64
1-1/2	UEMF208-24MZ20		5-1/8	4	5/8	1-13/32	17/32	2-1/16	1.976	1/2	UE208-24MZ20	MF208	4.82

NOTE: Lubrication fitting Tap Size for 1" and smaller shaft sizes, 1/4-28 UNF; for all other sizes, 1/8-27 NPT

INTERCHANGES: F4B-DLEZ-100SHCR CRFS-PN16T



Shaft Dia. (in.)	AMI Unit #	List Price	Dimensions (in.)															Bearing #	Housing #	Weight (lb.)
			O	G	T	Q	S	W	D	M	V	A	J	C	H	Z	U			
3/4	UEMT204-12MZ20		5/8	3/8	2	1-1/4	3/4	2	0.472	3	3-1/2	3-11/16	1-1/4	13/16	2-13/32	1-13/64	1.299	UE204-12MZ20	MT204	1.92
1	UEMT205-16MZ20		5/8	3/8	2	1-1/4	3/4	2	0.472	3	3-1/2	3-13/16	1-1/4	15/16	2-7/16	1-19/64	1.394	UE205-16MZ20	MT205	1.94
1-3/16	UEMT206-19MZ20		5/8	3/8	2-3/16	1-29/64	7/8	2-1/4	0.472	3-1/2	4-1/64	4-7/16	1-29/64	1-3/32	2-3/4	1-31/64	1.567	UE206-19MZ20	MT206	2.96
1-1/4	UEMT206-20MZ20																	UE206-20MZ20		2.90
1-1/4	UEMT207-20MZ20		5/8	1/2	2-1/2	1-29/64	7/8	2-1/2	0.472	3-1/2	4-1/64	5-5/64	1-29/64	1-3/16	3-5/64	1-41/64	1.728	UE207-20MZ20	MT207	3.88
1-7/16	UEMT207-23MZ20																	UE207-23MZ20		3.72
1-1/2	UEMT208-24MZ20		3/4	5/8	3-1/4	1-15/16	1-1/8	3-1/4	0.630	4-1/64	4-1/2	5-11/16	1-15/16	1-5/16	3-15/32	1-57/64	1.976	UE208-24MZ20	MT208	5.72

NOTE: Lubrication fitting Tap Size for 1" and smaller shaft sizes, 1/4-28 UNF; for all other sizes, 1/8-27 NPT

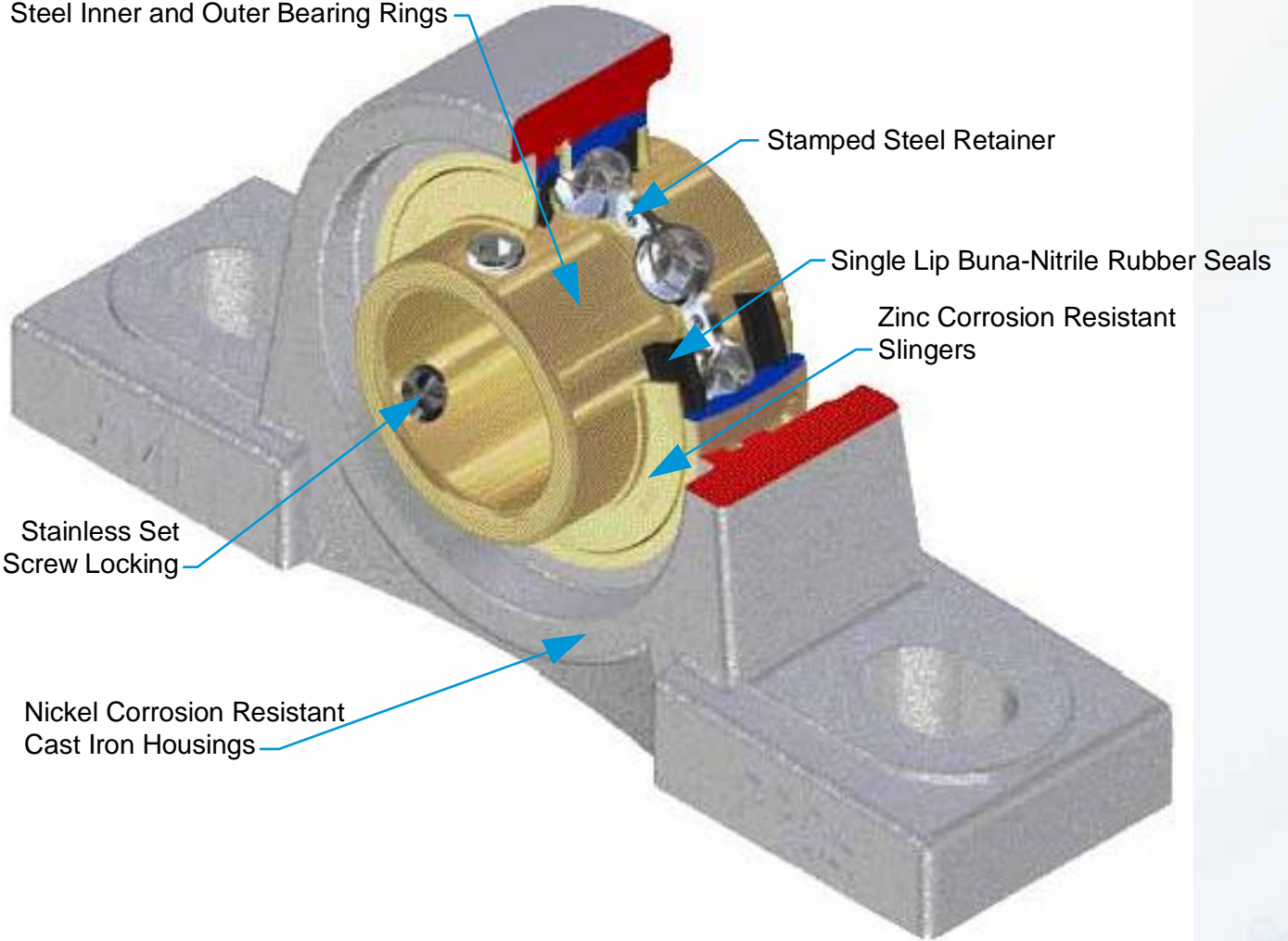
INTERCHANGES: AMI EXCLUSIVE

CHOICE PLUS

SELECT SERIES

(Zinc Corrosion Resistant Bearing Insert in Nickel Corrosion Resistant Housing)

Zinc Corrosion Resistant AISI 52100
Steel Inner and Outer Bearing Rings



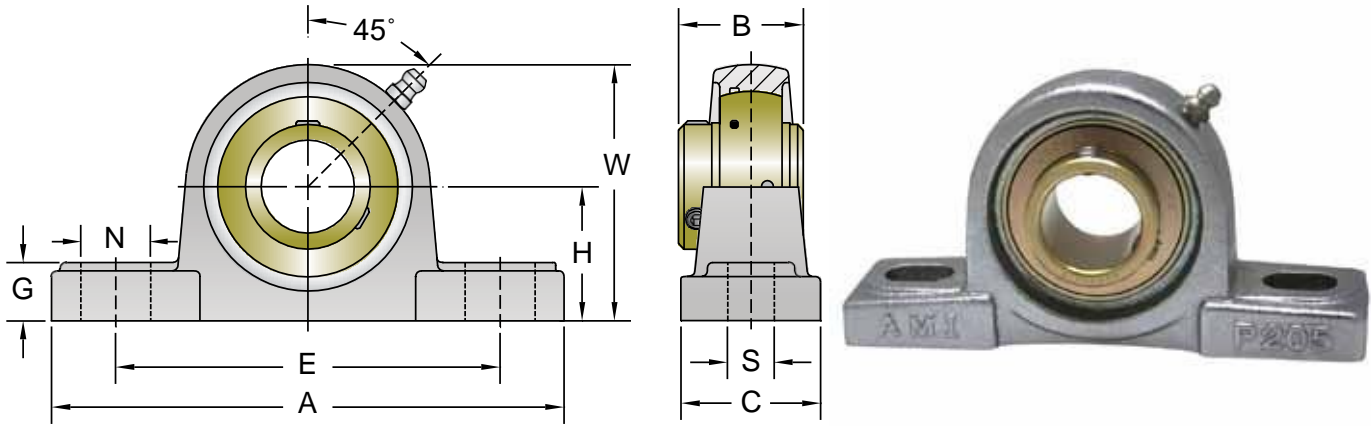
SELECT

Bore Size Range Availability: 1/2" to 2-3/16" and 15mm to 50mm

UCP 205 - 16 NPMZ 2



Normal Duty • Wide Inner Ring • 0°F ~ 212°F • H1 Approved Food Grade Grease

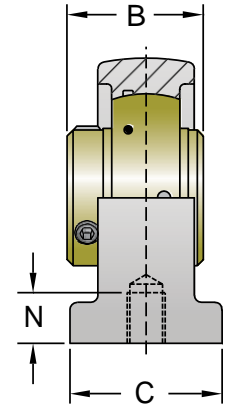
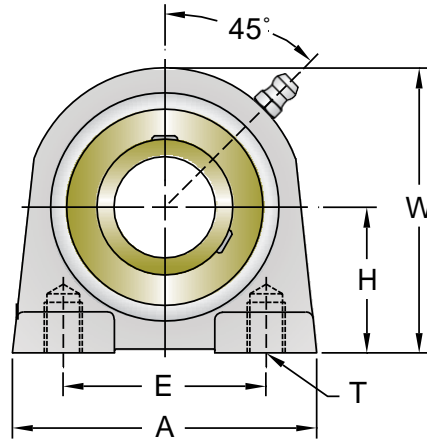


Shaft Dia. (in.)	AMI Unit #	List Price	Dimensions (in.)										Bolt Size (in.)	Bearing #	Housing #	Weight (lb.)
			H	A	E		C	S	N	G	W	B				
1/2	UCP201-8NPMZ2		1-3/16	5	3-3/8	4-1/8	1-1/2	1/2	3/4	19/32	2-7/16	1.220		UC201-8MZ2	P203NP	1.61
5/8	UCP202-10NPMZ2		1-3/16	5	3-3/8	4-1/8	1-1/2	1/2	3/4	19/32	2-7/16	1.220	3/8	UC202-10MZ2	P203NP	1.57
3/4	UCP204-12NPMZ2		1-5/16	5	3-3/8	4-1/8	1-1/2	1/2	3/4	19/32	2-9/16	1.220		UC204-12MZ2	P204NP	1.61
7/8	UCP205-14NPMZ2		1-7/16	5-1/2	3-3/4	4-1/2	1-1/2	1/2	3/4	5/8	2-3/4	1.339	3/8	UC205-14MZ2	P205NP	1.97
1	UCP205-16NPMZ2	UC205-16MZ2												1.89		
1-1/16	UCP206-17NPMZ2		1-11/16	6-1/2	4-7/16	5-1/16	1-7/8	21/32	13/16	23/32	3-9/32	1.500	1/2	UC206-17MZ2	P206NP	3.25
1-1/8	UCP206-18NPMZ2	UC206-18MZ2												3.19		
1-3/16	UCP206-19NPMZ2													UC206-19MZ2		3.15
1-1/4	UCP206-20NPMZ2													UC206-20MZ2		3.11
1-1/4	UCP207-20NPMZ2		1-7/8	6-9/16	4-11/16	5-5/16	1-7/8	21/32	13/16	3/4	3-11/16	1.689	1/2	UC207-20MZ2	P207NP	3.80
1-5/16	UCP207-21NPMZ2	UC207-21MZ2												3.74		
1-3/8	UCP207-22NPMZ2													UC207-22MZ2		3.68
1-7/16	UCP207-23NPMZ2													UC207-23MZ2		3.60
1-1/2	UCP208-24NPMZ2		1-15/16	7-1/4	4-7/8	5-7/8	2-1/8	21/32	1	3/4	3-15/16	1.937	1/2	UC208-24MZ2	P208NP	4.73
1-11/16	UCP209-27NPMZ2		2-1/8	7-1/2	5-3/8	6-1/8	2-1/8	21/32	7/8	25/32	4-1/4	1.937	1/2	UC209-27MZ2	P209NP	5.37
1-3/4	UCP209-28NPMZ2	UC209-28MZ2												5.29		
1-7/8	UCP210-30NPMZ2													UC210-30MZ2		7.09
1-15/16	UCP210-31NPMZ2		2-1/4	8-1/8	5-7/8	6-5/8	2-3/8	25/32	1	7/8	4-1/2	2.031	5/8	UC210-31MZ2	P210NP	6.99
2	UCP210-32NPMZ2	UC210-32MZ2												6.89		
2	UCP211-32NPMZ2		2-1/2	8-5/8	6-3/8	7-1/8	2-3/8	25/32	1	7/8	4-31/32	2.189	5/8	UCX10-32MZ2	P211NP	10.90
2-3/16	UCP211-35NPMZ2	UC211-35MZ2												10.52		
Dimensions (mm)																
15	UCP202NPMZ2		30.2	127	86	105	38	13	19	15	62	31		UC202MZ2	P203NP	1.59
17	UCP203NPMZ2		30.2	127	86	105	38	13	19	15	62	31	M10	UC203MZ2	P203NP	1.57
20	UCP204NPMZ2		33.3	127	86	105	38	13	19	15	65	31		UC204MZ2	P204NP	1.59
25	UCP205NPMZ2		36.5	140	95	114	38	13	19	16	70	34	M10	UC205MZ2	P205NP	1.91
30	UCP206NPMZ2		42.9	165	113	129	48	17	21	18	83	38.1	M14	UC206MZ2	P206NP	3.15
35	UCP207NPMZ2		47.6	167	119	135	48	17	21	19	94	42.9	M14	UC207MZ2	P207NP	3.68
40	UCP208NPMZ2		49.2	184	124	149	54	17	25	19	100	49.2	M14	UC208MZ2	P208NP	4.63
45	UCP209NPMZ2		54.0	190	137	156	54	17	22	20	108	49.2	M14	UC209MZ2	P209NP	5.25
50	UCP210NPMZ2		57.2	206	149	168	60	20	25	22	114	51.6	M16	UC210MZ2	P210NP	6.95

NOTE: Lubrication fitting Tap Size for 1" and smaller shaft sizes, 1/4-28 UNF; for all other sizes, 1/8-27 NPT

INTERCHANGES:	YAS1NT	UCP205-16S7Z5	PBW271WZ-1	RASEY1-FA125	CUCNPP205-16	WP3S216E	NC251	ZPB100ZM
---------------	--------	---------------	------------	--------------	--------------	----------	-------	----------

SELECT

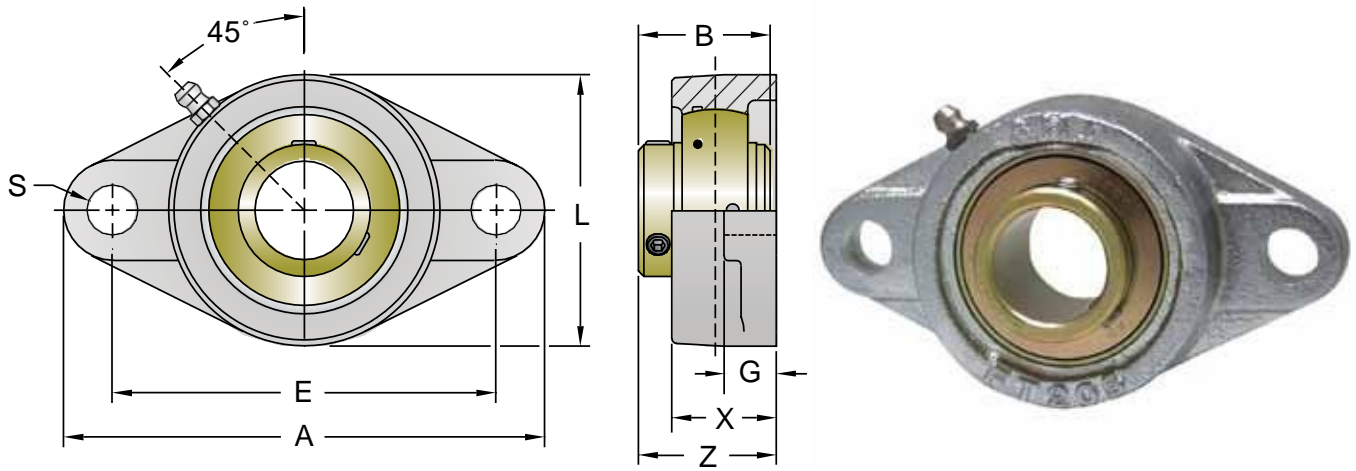


SELECT

Shaft Dia. (in.)	AMI Unit #	List Price	Dimensions (in.)							Bolt Holes (UNC Thread) T	Bearing #	Housing #	Weight (lb.)
			H	A	E	C	N	W	B				
1/2	UCTB201-8NPMZ2										UC201-8MZ2		1.22
5/8	UCTB202-10NPMZ2		1-5/16	2-7/8	2	1-1/2	1/2	2-9/16	1.220	3/8-16	UC202-10MZ2	TB204NP	1.18
3/4	UCTB204-12NPMZ2										UC204-12MZ2		1.14
7/8	UCTB205-14NPMZ2		1-7/16	3	2	1-1/2	1/2	2-13/16	1.339	3/8-16	UC205-14MZ2	TB205NP	1.46
1	UCTB205-16NPMZ2										UC205-16MZ2		1.38
1-1/16	UCTB206-17NPMZ2										UC206-17MZ2		2.38
1-1/8	UCTB206-18NPMZ2		1-11/16	4	3	1-1/2	5/8	3-3/8	1.500	7/16-14	UC206-18MZ2	TB206NP	2.32
1-3/16	UCTB206-19NPMZ2										UC206-19MZ2		2.28
1-1/4	UCTB206-20NPMZ2										UC206-20MZ2		2.24
1-1/4	UCTB207-20NPMZ2										UC207-20MZ2		3.22
1-5/16	UCTB207-21NPMZ2		1-7/8	4-1/4	3-1/4	1-7/8	3/4	3-3/4	1.689	1/2-13	UC207-21MZ2	TB207NP	3.16
1-3/8	UCTB207-22NPMZ2										UC207-22MZ2		3.10
1-7/16	UCTB207-23NPMZ2										UC207-23MZ2		3.02
1-1/2	UCTB208-24NPMZ2		1-15/16	4-5/8	3-1/2	1-7/8	3/4	3-15/16	1.937	1/2-13	UC208-24MZ2	TB208NP	3.70
1-11/16	UCTB209-27NPMZ2		2-1/8	5	3-3/4	2	3/4	4-1/4	1.937	1/2-13	UC209-27MZ2	TB209NP	4.26
1-3/4	UCTB209-28NPMZ2										UC209-28MZ2		4.18
1-7/8	UCTB210-30NPMZ2										UC210-30MZ2		5.42
1-15/16	UCTB210-31NPMZ2		2-1/4	5-1/2	4	2	7/8	4-5/8	2.031	5/8-11	UC210-31MZ2	TB210NP	5.32
2	UCTB210-32NPMZ2										UC210-32MZ2		5.22
2	UCTB211-32NPMZ2		2-1/4	5-1/2	4	2	7/8	4-5/8	2.189	5/8-11	UCX10-32MZ2	TB211NP	6.34
2-3/16	UCTB211-35NPMZ2										UC211-35MZ2		5.96
Dimensions (mm)													
15	UCPA202NPMZ2										UC202MZ2		1.13
17	UCPA203NPMZ2		30.2	76	52	38	12	62	31	M10	UC203MZ2	PA204NP	1.11
20	UCPA204NPMZ2										UC204MZ2		1.05
25	UCPA205NPMZ2		36.5	84	56	38	15	72	34	M10	UC205MZ2	PA205NP	1.55
30	UCPA206NPMZ2		42.9	94	66	48	18	84	38.1	M14	UC206MZ2	PA206NP	2.16
35	UCPA207NPMZ2		47.6	110	80	48	20	95	42.9	M14	UC207MZ2	PA207NP	3.39
40	UCPA208NPMZ2		49.2	116	84	54	20	100	49.2	M14	UC208MZ2	PA208NP	4.00
45	UCPA209NPMZ2		54.2	120	90	54	25	108	49.2	M14	UC209MZ2	PA209NP	4.76
50	UCPA210NPMZ2		57.2	130	94	60	25	116	51.6	M16	UC210MZ2	PA210NP	6.14

NOTE: Lubrication fitting Tap Size for 1" and smaller shaft sizes, 1/4-28 UNF; for all other sizes, 1/8-27 NPT

INTERCHANGES: STB1NT UCTB205-16S7Z5 RSHEY1-FA125 CUCNPPA205-16 WPT35216E NTBC251 ZTB100ZM

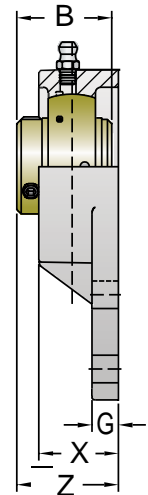
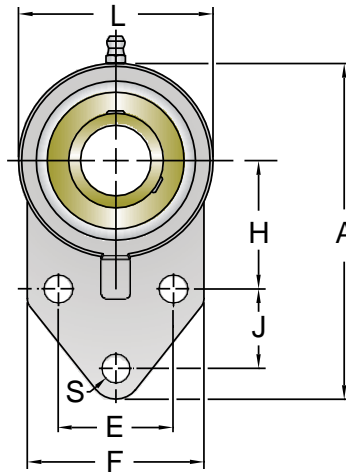


Shaft Dia. (in.)	AMI Unit #	List Price	Dimensions (in.)								Bolt Size (in.)	Bearing #	Housing #	Weight (lb.)
			A	E	G	X	S	L	Z	B				
1/2	UCFT201-8NPMZ2		3-7/8	3	7/16	31/32	13/32	2-3/16	1-17/64	1.220	3/8	UC201-8MZ2	FT203PNP	0.87
5/8	UCFT202-10NPMZ2											UC202-10MZ2		0.83
3/4	UCFT204-12NPMZ2		4-13/32	3-17/32	7/16	31/32	13/32	2-3/8	1-9/32	1.220	7/16	UC204-12MZ2	FT204NP	0.96
7/8	UCFT205-14NPMZ2		4-7/8	3-57/64	17/32	1-1/16	1/2	2-3/4	1-13/32	1.339		UC205-14MZ2		FT205NP
1	UCFT205-16NPMZ2										UC205-16MZ2	1.30		
1-1/16	UCFT206-17NPMZ2										7/16	UC206-17MZ2	FT206NP	1.98
1-1/8	UCFT206-18NPMZ2		5-9/16	4-19/32	17/32	1-3/16	1/2	3-1/4	1-37/64	1.500		UC206-18MZ2		1.92
1-3/16	UCFT206-19NPMZ2										UC206-19MZ2	1.88		
1-1/4	UCFT206-20NPMZ2										UC206-20MZ2	1.84		
1-1/4	UCFT207-20NPMZ2										1/2	UC207-20MZ2	FT207NP	2.92
1-5/16	UCFT207-21NPMZ2		6-1/8	5-1/8	9/16	1-11/32	35/64	3-3/4	1-3/4	1.689		UC207-21MZ2		2.86
1-3/8	UCFT207-22NPMZ2										UC207-22MZ2	2.80		
1-7/16	UCFT207-23NPMZ2										UC207-23MZ2	2.72		
1-1/2	UCFT208-24NPMZ2		6-3/4	5-21/32	9/16	1-1/2	35/64	4-1/8	2-1/64	1.937	1/2	UC208-24MZ2	FT208NP	3.58
1-11/16	UCFT209-27NPMZ2		7-1/16	5-27/32	9/16	1-9/16	5/8	4-3/8	2-3/64	1.937	9/16	UC209-27MZ2	FT209NP	4.06
1-3/4	UCFT209-28NPMZ2											UC209-28MZ2		3.98
1-7/8	UCFT210-30NPMZ2										9/16	UC210-30MZ2	FT210NP	4.42
1-15/16	UCFT210-31NPMZ2		7-7/16	6-3/16	9/16	1-9/16	5/8	4-9/16	2-5/32	2.031		UC210-31MZ2		4.32
2	UCFT210-32NPMZ2										UC210-32MZ2	4.22		
2	UCFT211-32NPMZ2										5/8	UCX10-32MZ2	FT211NP	6.58
2-3/16	UCFT211-35NPMZ2		8-1/2	7-1/4	13/16	1-3/4	21/32	5-1/4	2-5/16	2.189		UC211-35MZ2		6.20
Dimensions (mm)														
15	UCFT202NPMZ2		98.4	76.2	11	25	10.5	55.6	32.3	31	M8	UC202MZ2	FT203PNP	0.85
17	UCFT203NPMZ2											UC203MZ2		0.83
20	UCFT204NPMZ2		112	89.7	11	25	10.5	60	32.6	31	M10	UC204MZ2	FT204NP	0.94
25	UCFT205NPMZ2		124	98.8	13	27	12.5	70	35.6	34		UC205MZ2		FT205NP
30	UCFT206NPMZ2		141	116.7	13	30	12.5	83	40.1	38.1	M10	UC206MZ2	FT206NP	1.88
35	UCFT207NPMZ2		156	130.2	14	34	14	95	44.5	42.9	M12	UC207MZ2	FT207NP	2.80
40	UCFT208NPMZ2		171	143.7	14	38	14	105	51.2	49.2	M12	UC208MZ2	FT208NP	3.48
45	UCFT209NPMZ2		179	148.4	14	40	16	111	52.0	49.2	M14	UC209MZ2	FT209NP	3.94
50	UCFT210NPMZ2		189	157.2	14	40	16	116	54.8	51.6	M14	UC210MZ2	FT210NP	4.28

NOTE: Lubrication fitting Tap Size for 1" and smaller shaft sizes, 1/4-28 UNF; for all other sizes, 1/8-27 NPT

INTERCHANGES:	YCJT1NT	UCFL205-16S7Z5	FB280HWZ-1	RCJTY1-FA125	CUCNPFL205-16	WFX3S216E	NFC2251	Z2F100ZM
---------------	---------	----------------	------------	--------------	---------------	-----------	---------	----------

SELECT



SELECT

Shaft Dia. (in.)	AMI Unit #	List Price	Dimensions (in.)											Bolt Size (in.)	Bearing #	Housing #	Weight (lb.)		
			A	H	E	J	G	X	S	L	F	Z	B						
1/2	UCFB201-8NPMZ2																UC201-8MZ2		1.26
5/8	UCFB202-10NPMZ2		4-1/4	1-11/16	1-1/2	7/8	5/16	1	25/64	2-1/2	2-3/8	1-11/32	1.220	3/8		UC202-10MZ2	FB204NP	1.22	
3/4	UCFB204-12NPMZ2															UC204-12MZ2		1.18	
7/8	UCFB205-14NPMZ2		4-3/4	1-13/16	1-5/8	1-1/8	1/2	1-1/8	25/64	2-3/4	2-1/2	1-7/16	1.339	3/8		UC205-14MZ2	FB205NP	1.70	
	1	UCFB205-16NPMZ2													UC205-16MZ2	1.62			
1-1/16	UCFB206-17NPMZ2															UC206-17MZ2		2.40	
1-1/8	UCFB206-18NPMZ2															UC206-18MZ2	FB206NP	2.34	
1-3/16	UCFB206-19NPMZ2		5-3/8	2-1/16	1-7/8	1-1/4	1/2	1-1/4	25/64	3-1/4	2-3/4	1-39/64	1.500	3/8	UC206-19MZ2	2.30			
1-1/4	UCFB206-20NPMZ2															UC206-20MZ2		2.26	
1-1/4	UCFB207-20NPMZ2															UC207-20MZ2		3.64	
1-5/16	UCFB207-21NPMZ2															UC207-21MZ2	FB207NP	3.58	
1-3/8	UCFB207-22NPMZ2		6-1/8	2-3/8	2	1-1/4	1/2	1-7/16	33/64	3-3/4	3-1/4	1-53/64	1.689	1/2	UC207-22MZ2	3.52			
1-7/16	UCFB207-23NPMZ2															UC207-23MZ2		3.44	
1-1/2	UCFB208-24NPMZ2		6-15/32	2-3/8	1-31/32	1-5/8	5/8	1-13/32	15/32	3-15/16	3-1/16	2-1/64	1.937	7/16	UC208-24MZ2	FB208NP	4.06		
1-11/16	UCFB209-27NPMZ2															UC209-27MZ2	FB209NP	4.44	
1-3/4	UCFB209-28NPMZ2		6-27/32	2-9/16	2-1/8	1-11/16	23/32	1-1/2	15/32	4-3/16	3-5/32	2-3/64	1.937	7/16	UC209-28MZ2	4.36			
1-7/8	UCFB210-30NPMZ2															UC210-30MZ2		5.36	
1-15/16	UCFB210-31NPMZ2		7-1/2	2-15/16	2-3/4	1-5/8	1/2	1-1/2	33/64	4-5/8	4	2-9/64	2.031	1/2	UC210-31MZ2	FB210NP	5.26		
	2	UCFB210-32NPMZ2														UC210-32MZ2		5.16	
Dimensions (mm)																			
15	UCFK202NPMZ2																UC202MZ2		1.28
17	UCFK203NPMZ2		110	42	32	27	13	25.5	10	62	52	33.3	31	M8		UC203MZ2	FK204NP	1.26	
20	UCFK204NPMZ2															UC204MZ2		1.20	
25	UCFK205NPMZ2		116	45	34	27	13	27	10	68	56	35.7	34			UC205MZ2	FK205NP	1.44	
30	UCFK206NPMZ2		130	50	40	29	13	31	10	78	65	40.2	38.1	M8		UC206MZ2	FK206NP	1.92	
35	UCFK207NPMZ2		144	55	46	32	15	34	10	90	70	44.4	42.9			UC207MZ2	FK207NP	2.82	
40	UCFK208NPMZ2		164	60	50	41	16	36	12	100	78	51.2	49.2			UC208MZ2	FK208NP	3.58	
45	UCFK209NPMZ2		174	65	54	43	18	38	12	106	80	52.2	49.2	M10		UC209MZ2	FK209NP	4.12	
50	UCFK210NPMZ2		184	68	58	46	18	40	12	112	86	54.6	51.6				UC210MZ2	FK210NP	5.00

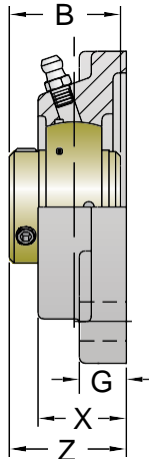
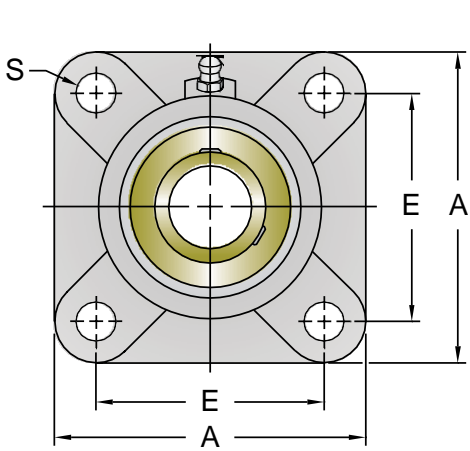
NOTE: Lubrication fitting Tap Size for 1" and smaller shaft sizes, 1/4-28 UNF; for all other sizes, 1/8-27 NPT

INTERCHANGES: UCFB205-16S7Z5 CUCNPF205-16 WFB3S216E NMF251

FOUR BOLT FLANGE UNITS

Zinc Insert detail-pg. 83 • RF Patent Seal-pg. 90

UCF 200NPMZ2

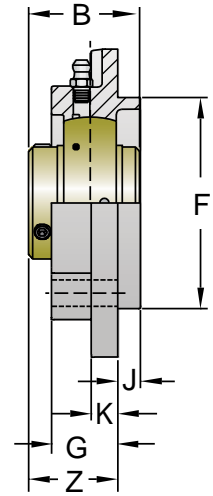
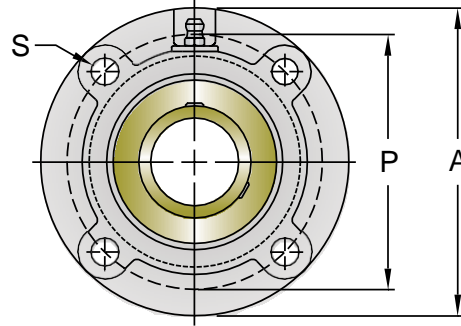


Shaft Dia. (in.)	AMI Unit #	List Price	Dimensions (in.)							Bolt Size (in.)	Bearing #	Housing #	Weight (lb.)
			A	E	G	X	S	Z	B				
1/2	UCF201-8NPMZ2												
5/8	UCF202-10NPMZ2		3-3/8	2-1/2	15/32	1	7/16	1-5/16	1.220	3/8	UC202-10MZ2	F204NP	1.34
3/4	UCF204-12NPMZ2										UC204-12MZ2		1.30
7/8	UCF205-14NPMZ2										UC205-14MZ2		1.78
1	UCF205-16NPMZ2		3-3/4	2-3/4	9/16	1-1/16	15/32	1-13/32	1.339	7/16	UC205-16MZ2	F205NP	1.70
1-1/16	UCF206-17NPMZ2										UC206-17MZ2		2.56
1-1/8	UCF206-18NPMZ2										UC206-18MZ2		2.50
1-3/16	UCF206-19NPMZ2										UC206-19MZ2	F206NP	2.46
1-1/4	UCF206-20NPMZ2										UC206-20MZ2		2.42
1-1/4	UCF207-20NPMZ2										UC207-20MZ2		2.98
1-5/16	UCF207-21NPMZ2										UC207-21MZ2		2.92
1-3/8	UCF207-22NPMZ2		4-5/8	3-5/8	5/8	1-11/32	17/32	1-3/4	1.689	1/2	UC207-22MZ2	F207NP	2.86
1-7/16	UCF207-23NPMZ2										UC207-23MZ2		2.78
1-1/2	UCF208-24NPMZ2		5-1/8	4	5/8	1-13/32	17/32	2-1/64	1.937	1/2	UC208-24MZ2	F208NP	4.28
1-11/16	UCF209-27NPMZ2										UC209-27MZ2		4.34
1-3/4	UCF209-28NPMZ2		5-3/8	4-1/8	23/32	1-1/2	19/32	2-1/16	1.937	9/16	UC209-28MZ2	F209NP	4.26
1-7/8	UCF210-30NPMZ2										UC210-30MZ2		5.54
1-15/16	UCF210-31NPMZ2		5-5/8	4-3/8	23/32	1-9/16	19/32	2-5/32	2.031	9/16	UC210-31MZ2	F210NP	5.44
2	UCF210-32NPMZ2										UC210-32MZ2		5.34
2	UCF211-32NPMZ2										UCX10-32MZ2		7.04
2-3/16	UCF211-35NPMZ2		6-3/8	5-1/8	25/32	1-11/16	21/32	2-19/64	2.189	5/8	UC211-35MZ2	F211NP	6.66
Dimensions (mm)													
15	UCF202NPMZ2										UC202MZ2		1.36
17	UCF203NPMZ2		86	64	12	25.4	11	33.3	31	M10	UC203MZ2	F204NP	1.34
20	UCF204NPMZ2										UC204MZ2		1.28
25	UCF205NPMZ2		95	70	14	27	12	35.7	34	M10	UC205MZ2	F205NP	1.72
30	UCF206NPMZ2		108	83	14	31	12	40.2	38.1	M10	UC206MZ2	F206NP	2.46
35	UCF207NPMZ2		117	92	16	34	13.5	44.4	42.9	M12	UC207MZ2	F207NP	2.86
40	UCF208NPMZ2		130	102	16	36	13.5	51.2	49.2	M12	UC208MZ2	F208NP	4.18
45	UCF209NPMZ2		137	105	18	38	15	52.2	49.2	M14	UC209MZ2	F209NP	4.22
50	UCF210NPMZ2		143	111	18	40	15	54.6	51.6	M14	UC210MZ2	F210NP	5.40

NOTE: Lubrication fitting Tap Size for 1" and smaller shaft sizes, 1/4-28 UNF; for all other sizes, 1/8-27 NPT

INTERCHANGES:	YCJ1NT	UCF205-16S7Z5	FB270HWZ-1	RCJY1-FA125	CUCNPF205-16	WF3S216E	NFC4251	Z4F100ZM
---------------	--------	---------------	------------	-------------	--------------	----------	---------	----------

SELECT

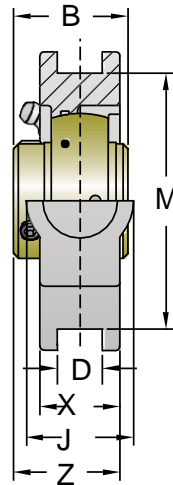
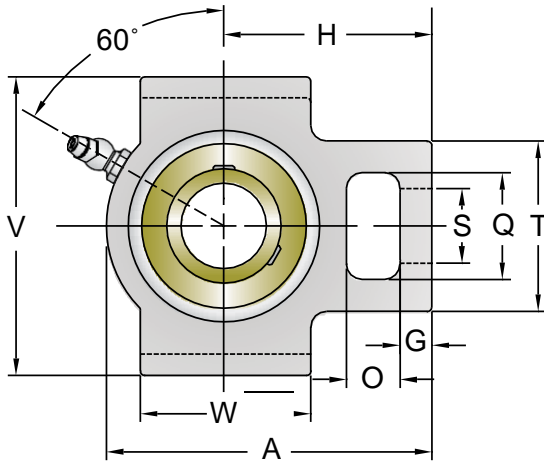


SELECT

Shaft Dia. (in.)	AMI Unit #	List Price	Dimensions (in.)										Bolt Size (in.)	Bearing #	Housing #	Weight (lb.)		
			A	P	S	J	K	G	F	Z	B							
1-1/16	UCFCS206-17NPMZ2																	
1-1/8	UCFCS206-18NPMZ2																	
1-3/16	UCFCS206-19NPMZ2		4-3/8	3-5/8	3/8	1/4	23/64	15/16	3.000	1-17/64	1.500	5/16		UC206-19MZ2	FCSX05NP		2.34	
1-1/4	UCFCS206-20NPMZ2													UC206-20MZ2			2.30	
1-1/4	UCFCS207-20NPMZ2													UC207-20MZ2			3.22	
1-5/16	UCFCS207-21NPMZ2													UC207-21MZ2	FCSX06NP		3.16	
1-3/8	UCFCS207-22NPMZ2		5	4-1/8	15/32	3/8	25/64	7/8	3.375	1-5/16	1.689	3/8		UC207-22MZ2			3.10	
1-7/16	UCFCS207-23NPMZ2													UC207-23MZ2			3.02	
1-1/2	UCFCS208-24NPMZ2		5-1/4	4-3/8	15/32	7/16	7/16	1-1/32	3.625	1-35/64	1.937	7/16		UC208-24MZ2	FCSX07NP		4.12	
1-11/16	UCFCS209-27NPMZ2													UC209-27MZ2	FCF209NP		5.28	
1-3/4	UCFCS209-28NPMZ2		6-1/8	5-1/8	17/32	15/32	29/64	7/8	4.250	1-13/32	1.937	1/2		UC209-28MZ2			5.20	
1-7/8	UCFCS210-30NPMZ2													UC210-30MZ2			5.24	
1-15/16	UCFCS210-31NPMZ2													UC210-31MZ2	FCSX09NP		5.14	
2	UCFCS210-32NPMZ2		6-1/8	5-1/8	35/64	15/32	7/16	1	4.250	1-39/64	2.031	1/2		UC210-32MZ2			5.04	
2	UCFCS211-32NPMZ2													UCX10-32MZ2	FCSX10NP		6.18	
2-3/16	UCFCS211-35NPMZ2		6-3/8	5-3/8	35/64	5/8	7/16	1	4.500	1-19/32	2.189	1/2		UC211-35MZ2			5.80	
Dimensions (mm)																		
30	UCFCS206NPMZ2		111	92	9.5	6.4	9	24	76.2	32.2	38.1	M8		UC206MZ2	FCSX05NP		2.34	
35	UCFCS207NPMZ2		127	105	12	9.5	10	22	85.7	33.4	42.9	M10		UC207MZ2	FCSX06NP		3.10	
40	UCFCS208NPMZ2		133	111	12	11	11	26	92.1	39.2	49.2	M10		UC208MZ2	FCSX07NP		4.02	
45	UCFCS209NPMZ2		155	130	13.5	12	12	22	108.0	35.8	49.2	M12		UC209MZ2	FCF209NP		5.16	
50	UCFCS210NPMZ2		155	130	14	12	11	25	108.0	40.6	51.6	M12		UC210MZ2	FCSX09NP		5.10	

NOTE: Lubrication fitting Tap Size for 1" and smaller shaft sizes, 1/4-28 UNF; for all other sizes, 1/8-27 NPT

INTERCHANGES: RFC1NT UCFCF205-16S7Z5 CUCNPFCS205-16 NPFC4251

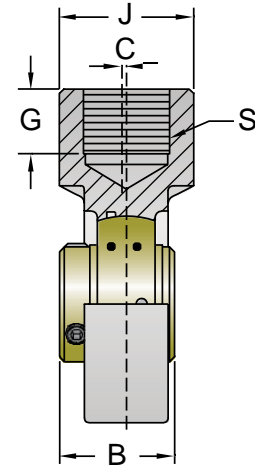
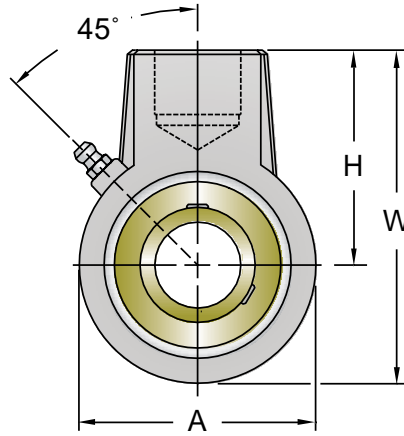


Shaft Dia. (in.)	AMI Unit #	List Price	Dimensions (in.)														Bearing #	Housing #	Weight (lb.)		
			O	G	T	Q	S	W	D	M	V	A	J	X	H	Z				B	
1/2	UCST201-8NPMZ2																		UC201-8MZ2		1.86
5/8	UCST202-10NPMZ2		5/8	3/8	2	1-1/4	3/4	2	17/32	3	3-1/2	3-11/16	1-1/4	15/16	2-3/8	1-3/16	1.220	UC202-10MZ2	ST204NP	1.82	
3/4	UCST204-12NPMZ2																	UC204-12MZ2		1.78	
7/8	UCST205-14NPMZ2		5/8	3/8	2	1-1/4	7/8	2	17/32	3	3-1/2	3-13/16	1-1/4	15/16	2-7/16	1-1/4	1.339	UC205-14MZ2		1.82	
1	UCST205-16NPMZ2																	UC205-16MZ2	ST205NP	1.74	
1-1/16	UCST206-17NPMZ2																	UC206-17MZ2		2.46	
1-1/8	UCST206-18NPMZ2																	UC206-18MZ2		2.40	
1-3/16	UCST206-19NPMZ2		5/8	3/8	2-3/16	1-7/16	7/8	2-1/4	17/32	3-1/2	4	4-7/16	1-7/16	15/16	2-3/4	1-11/32	1.500	UC206-19MZ2	ST206NP	2.36	
1-1/4	UCST206-20NPMZ2																	UC206-20MZ2		2.32	
1-1/4	UCST207-20NPMZ2																	UC207-20MZ2		3.56	
1-5/16	UCST207-21NPMZ2																	UC207-21MZ2		3.50	
1-3/8	UCST207-22NPMZ2		5/8	1/2	2-1/2	1-7/16	7/8	2-1/2	17/32	3-1/2	4	5-1/16	1-7/16	1-3/16	3-1/16	1-19/32	1.689	UC207-22MZ2	ST207NP	3.44	
1-7/16	UCST207-23NPMZ2																	UC207-23MZ2		3.36	
1-1/2	UCST208-24NPMZ2		3/4	5/8	3-1/4	1-15/16	1-1/8	3-1/4	11/16	4	4-1/2	5-11/16	1-15/16	1-3/8	3-1/2	1-7/8	1.937	UC208-24MZ2	ST208NP	5.38	
1-11/16	UCST209-27NPMZ2																	UC209-27MZ2		5.17	
1-3/4	UCST209-28NPMZ2		3/4	5/8	3-1/4	1-15/16	1-1/8	3-1/4	11/16	4	4-5/8	5-11/16	1-15/16	1-3/8	3-7/16	1-7/8	1.937	UC209-28MZ2	ST209NP	5.09	
1-7/8	UCST210-30NPMZ2																	UC210-30MZ2		5.46	
1-15/16	UCST210-31NPMZ2		3/4	5/8	3-1/4	1-15/16	1-1/8	3-3/8	11/16	4	4-5/8	5-7/8	1-15/16	1-3/8	3-9/16	1-31/32	2.031	UC210-31MZ2	ST210NP	5.36	
2	UCST210-32NPMZ2																	UC210-32MZ2		5.26	
2	UCST211-32NPMZ2		1	3/4	4	2-1/2	1-3/8	3-3/4	1-1/16	5-1/8	5-3/4	6-3/4	2-1/2	1-5/8	4-3/16	2-1/8	2.189	UCX10-32MZ2	ST211NP	8.86	
2-3/16	UCST211-35NPMZ2																	UC211-35MZ2		8.48	
Dimensions (mm)																					
15	UCT202NPMZ2																	UC202MZ2		1.64	
17	UCT203NPMZ2		16	10	51	32	19	51	12	76	89	94	32	21	61	28.8	31	UC203MZ2	T204NP	1.62	
20	UCT204NPMZ2																	UC204MZ2		1.56	
25	UCT205NPMZ2		16	10	51	32	19	51	12	76	89	97	32	24	62	31.7	34	UC205MZ2	T205NP	1.73	
30	UCT206NPMZ2		16	10	56	37	22	57	12	89	102	113	37	28	70	36.2	38.1	UC206MZ2	T206NP	2.50	
35	UCT207NPMZ2		16	13	64	37	22	64	12	89	102	129	37	30	78	40.4	42.9	UC207MZ2	T207NP	3.42	
40	UCT208NPMZ2		19	16	83	49	29	83	16	102	114	144	49	33	88	46.7	49.2	UC208MZ2	T208NP	5.12	
45	UCT209NPMZ2		19	16	83	49	29	83	16	102	117	144	49	35	87	47.7	49.2	UC209MZ2	T209NP	5.16	
50	UCT210NPMZ2		19	16	83	49	29	86	16	102	117	149	49	37	90	51.1	51.6	UC210MZ2	T210NP	5.64	

NOTE: Lubrication fitting Tap Size for 1" and smaller shaft sizes, 1/4-28 UNF; for all other sizes, 1/8-27 NPT

INTERCHANGES: YTU1NT RTUEY1-FA125 CUCNPT205-16 WTH3S216E NTC251

SELECT



SELECT

Shaft Dia. (in.)	AMI Unit #	List Price	Dimensions (in.)								Bearing #	Housing #	Weight (lb.)	
			A	W	H	J	S (N.P.S.M.)	G	B	C				
1/2	UCECH201-8NPMZ2											UC201-8MZ2		1.70
5/8	UCECH202-10NPMZ2		2-3/4	3-7/8	2-1/2	1-9/16	PF3/4	3/4	1.220	0		UC202-10MZ2	ECH204NP	1.66
3/4	UCECH204-12NPMZ2											UC204-12MZ2		1.62
7/8	UCECH205-14NPMZ2											UC205-14MZ2		1.62
1	UCECH205-16NPMZ2		2-3/4	3-7/8	2-1/2	1-9/16	PF3/4	3/4	1.339	0		UC205-16MZ2	ECH205NP	1.54
1-1/16	UCECH206-17NPMZ2											UC206-17MZ2		2.06
1-1/8	UCECH206-18NPMZ2											UC206-18MZ2		2.00
1-3/16	UCECH206-19NPMZ2		3-1/8	4-1/8	2-1/2	1-9/16	PF3/4	3/4	1.500	0		UC206-19MZ2	ECH206NP	1.96
1-1/4	UCECH206-20NPMZ2											UC206-20MZ2		1.92
1-1/4	UCECH207-20NPMZ2											UC207-20MZ2		2.86
1-5/16	UCECH207-21NPMZ2											UC207-21MZ2		2.80
1-3/8	UCECH207-22NPMZ2		3-5/8	4-9/16	2-3/4	1-9/16	PF3/4	3/4	1.689	0		UC207-22MZ2	ECH207NP	2.74
1-7/16	UCECH207-23NPMZ2											UC207-23MZ2		2.66
1-1/2	UCECH208-24NPMZ2		3-3/4	4-3/4	2-7/8	1-9/16	PF3/4	3/4	1.937	0.079		UC208-24MZ2	ECH208NP	3.08
1-11/16	UCECH209-27NPMZ2											UC209-27MZ2		4.32
1-3/4	UCECH209-28NPMZ2		4-1/4	5-3/8	3-1/4	1-7/8	PF1	13/16	1.937	0.158		UC209-28MZ2	ECH209NP	4.24
1-7/8	UCECH210-30NPMZ2											UC210-30MZ2		4.68
1-15/16	UCECH210-31NPMZ2		4-1/2	5-1/2	3-1/4	1-7/8	PF1	13/16	2.031	0.197		UC210-31MZ2	ECH210NP	4.58
2	UCECH210-32NPMZ2											UC210-32MZ2		4.48
2	UCECH211-32NPMZ2											UCX10-32MZ2		8.50
2-3/16	UCECH211-35NPMZ2		5-5/8	6-13/16	4	2-23/64	PF1-1/4	1-1/8	2.189	0.343		UC211-35MZ2	ECH211NP	8.12
Dimensions (mm)														
15	UCECH202NPMZ2		70	99	64	40	PF3/4	19	31	0		UC202MZ2		1.68
17	UCECH203NPMZ2											UC203MZ2	ECH204NP	1.66
20	UCECH204NPMZ2		70	99	64	40	PF3/4	19	31	0		UC204MZ2		1.60
25	UCECH205NPMZ2		70	99	64	40	PF3/4	19	34	0		UC205MZ2	ECH205NP	1.56
30	UCECH206NPMZ2		80	104	64	40	PF3/4	19	38.1	0		UC206MZ2	ECH206NP	1.96
35	UCECH207NPMZ2		92	116	70	40	PF3/4	19	42.9	0		UC207MZ2	ECH207NP	2.74
40	UCECH208NPMZ2		96	121	73	40	PF3/4	19	49.2	2		UC208MZ2	ECH208NP	2.98
45	UCECH209NPMZ2		108	136	82	48	PF1	21	49.2	4		UC209MZ2	ECH209NP	4.20
50	UCECH210NPMZ2		114	140	83	48	PF1	21	51.6	5		UC210MZ2	ECH210NP	4.54

NOTE: Lubrication fitting Tap Size for 1" and smaller shaft sizes, 1/4-28 UNF; for all other sizes, 1/8-27 NPT

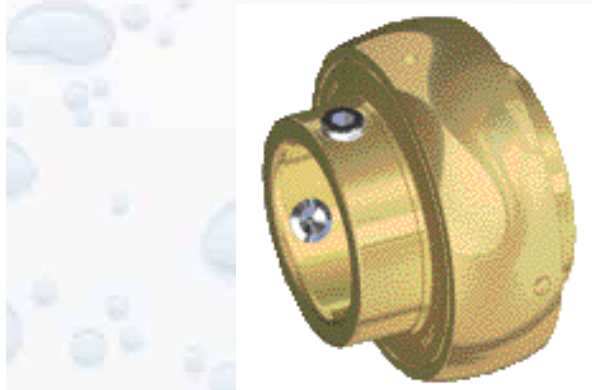
INTERCHANGES: CUCNPHA205-16 NMEHB1

CORROSION RESISTANT INSERTS

ZINC PROTECTED

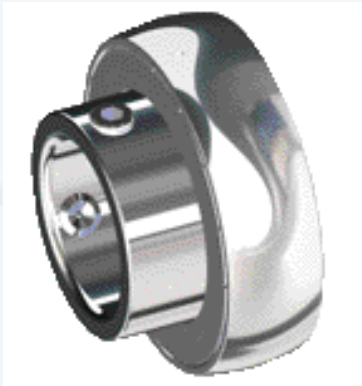


B200MZZ
Narrow Inner Ring
Set Screw Locking



UC200MZZ
Wide Inner Ring
Set Screw Locking

STAINLESS PROTECTED



MB200
Narrow Inner Ring
Set Screw Locking



MUC200
Wide Inner Ring
Set Screw Locking



MSER200
Cylindrical OD
Set Screw Locking

KANIGEN PROTECTED

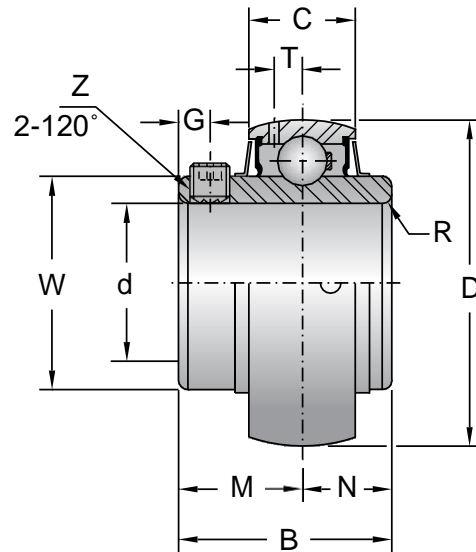


UC200MZZ20
Wide Inner Ring
Set Screw Locking



UE200MZZ20
Wide Inner Ring
Accu-Loc

A wide range of bearing modifications are available, if you need something special, just ask!



INSERTS

Shaft Dia. (in.) d	AMI Unit #	List Price	Dimensions (in.)										Basic Load Rating (lbf.)		Weight (lb.)		
			D	B	C	R	N	M	G	Z(UNF)	T	W	Dynamic Cr	Static Cor			
1/2	MUC201-8																0.44
5/8	MUC202-10		1.8504	1.220	0.669	0.039	0.500	0.720	0.177	1/4-28	0.177	1.142	2450	1190			0.40
3/4	MUC204-12					0.059											0.34
7/8	MUC205-14																0.48
15/16	MUC205-15		2.0472	1.339	0.669	0.059	0.563	0.776	0.197	1/4-28	0.177	1.339	2680	1420			0.44
1	MUC205-16																0.40
1-1/8	MUC206-18																0.70
1-3/16	MUC206-19		2.4409	1.500	0.748	0.059	0.626	0.874	0.197	1/4-28	0.201	1.594	3750	2030			0.66
1-1/4	MUC206-20																0.60
1-1/4	MUC207-20																1.14
1-5/16	MUC207-21		2.8346	1.689	0.787	0.079	0.689	1.000	0.236	5/16-24	0.228	1.890	4950	2770			1.08
1-3/8	MUC207-22																1.02
1-7/16	MUC207-23																0.96
1-1/2	MUC208-24		3.1496	1.937	0.827	0.079	0.748	1.189	0.315	5/16-24	0.244	2.087	5600	3210			1.44
1-11/16	MUC209-27		3.3465	1.937	0.866	0.079	0.748	1.189	0.315	5/16-24	0.256	2.256	6320	3690			1.56
1-3/4	MUC209-28																1.46
1-7/8	MUC210-30																1.84
1-15/16	MUC210-31		3.5433	2.031	0.906	0.079	0.748	1.283	0.354	3/8-24	0.256	2.480	6790	4180			1.74
2	MUC210-32																1.62
2	MUC211-32		3.9370	2.189	0.945	0.098	0.874	1.315	0.354	3/8-24	0.287	2.756	8230	5280			2.54
2-3/16	MUC211-35																2.18
2-7/16	MUC212-39		4.3307	2.563	1.024	0.098	1.000	1.563	0.394	3/8-24	0.303	3.031	10030	6500			2.88
2-1/2	MUC213-40		4.7244	2.563	1.063	0.098	1.000	1.563	0.394	3/8-24	0.327	3.232	11000	7190			3.88
			Dimensions (mm)										(kgf.)				
12	MUC201																0.44
15	MUC202		47	31	17	1	12.7	18.3	4.5	M6x1	4.5	29	1110	540			0.40
17	MUC203																0.38
20	MUC204		47	31	17	1.5	12.7	18.3	4.5	M6x1	4.5	29	1110	540			0.34
25	MUC205		52	34	17	1.5	14.3	19.7	5	M6x1	4.5	34	1220	640			0.42
30	MUC206		62	38.1	19	1.5	15.9	22.2	5	M6x1	5.1	40.5	1700	920			0.66
35	MUC207		72	42.9	20	2	17.5	25.4	6	M8x1	5.8	48	2250	1260			1.02
40	MUC208		80	49.2	21	2	19	30.2	8	M8x1	6.2	53	2540	1460			1.36
45	MUC209		85	49.2	22	2	19	30.2	8	M8x1	6.5	57.3	2870	1670			1.44
50	MUC210		90	51.6	23	2	19	32.6	9	M10x1.25	6.5	63	3080	1900			1.68
55	MUC211		100	55.6	24	2.5	22.2	33.4	9	M10x1.25	7.3	70	3730	2400			2.29
60	MUC212		110	65.1	26	2.5	25.4	39.7	10	M10x1.25	7.7	77	4550	2950			3.10
65	MUC213		120	65.1	27	2.5	25.4	39.7	10	M10x1.25	8.3	82.1	5000	3260			3.70

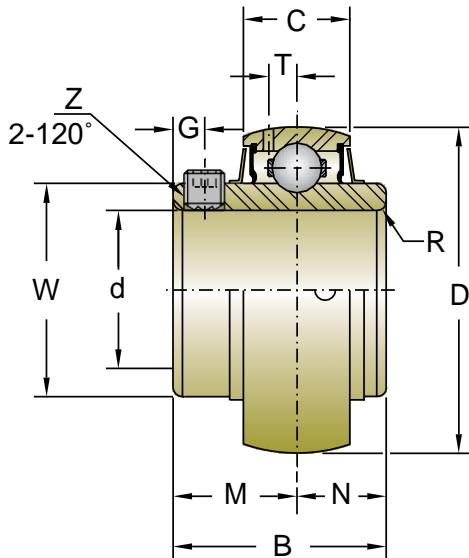
NOTE: If RF is required, add "RF" after the part number. For more information please see page 90 on RF Patent Seals.

INTERCHANGES: VS-S216 SUC205-16

ZINC PROTECTED WIDE INNER RING BALL BEARINGS

RF Patent Seal-pg. 90

UC 200MZ2

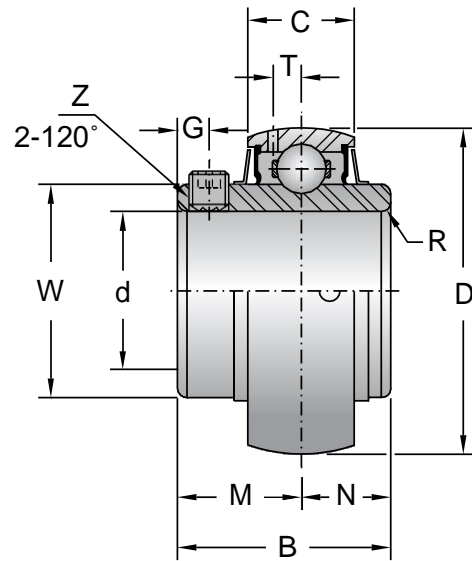


Shaft Dia. (in.) d	AMI Unit #	List Price	Dimensions (in.)										Basic Load Rating (lb.)		Weight (lb.)		
			D	B	C	R	N	M	G	Z (UNF)	T	W	Dynamic Cr	Static Cor			
1/2	UC201-8MZ2																0.44
5/8	UC202-10MZ2		1.8504	1.220	0.669	0.039	0.500	0.720	0.177	1/4-28	0.177	1.142	2890	1500		0.40	
3/4	UC204-12MZ2					0.059										0.36	
7/8	UC205-14MZ2		2.0472	1.339	0.669	0.059	0.563	0.776	0.197	1/4-28	0.177	1.339	3150	1780		0.50	
1	UC205-16MZ2															0.42	
1-1/16	UC206-17MZ2															0.78	
1-1/8	UC206-18MZ2		2.4409	1.500	0.748	0.059	0.626	0.874	0.197	1/4-28	0.201	1.594	4410	2540		0.72	
1-3/16	UC206-19MZ2															0.68	
1-1/4	UC206-20MZ2															0.64	
1-1/4	UC207-20MZ2															1.18	
1-5/16	UC207-21MZ2		2.8346	1.689	0.787	0.079	0.689	1.000	0.236	5/16-24	0.228	1.890	5820	3460		1.12	
1-3/8	UC207-22MZ2															1.06	
1-7/16	UC207-23MZ2															0.98	
1-1/2	UC208-24MZ2		3.1496	1.937	0.827	0.079	0.748	1.189	0.315	5/16-24	0.244	2.087	6590	4020		1.50	
1-11/16	UC209-27MZ2		3.3465	1.937	0.886	0.079	0.748	1.189	0.315	5/16-24	0.256	2.256	7420	4610		1.62	
1-3/4	UC209-28MZ2															1.54	
1-7/8	UC210-30MZ2															1.90	
1-15/16	UC210-31MZ2		3.5433	2.031	0.906	0.079	0.748	1.283	0.354	3/8-24	0.256	2.480	7980	5220		1.80	
2	UC210-32MZ2															1.70	
2-3/16	UC211-35MZ2		3.9370	2.189	0.945	0.098	0.874	1.315	0.354	3/8-24	0.287	2.756	9700	6610		2.26	
			Dimensions (mm)										(kgf.)				
15	UC202MZ2		47	31	17	1	12.7	18.3	4.5	M6x0.75	4.5	29	1310	680		0.42	
17	UC203MZ2															0.40	
20	UC204MZ2		47	31	17	1.5	12.7	18.3	4.5	M6x0.75	4.5	29	1310	680		0.34	
25	UC205MZ2		52	34	17	1.5	14.3	19.7	5	M6x0.75	4.5	34	1430	800		0.44	
30	UC206MZ2		62	38.1	19	1.5	15.9	22.2	5	M6x0.75	5.1	40.5	2000	1150		0.68	
35	UC207MZ2		72	42.9	20	2	17.5	25.4	6	M8x1	5.8	48	2640	1570		1.06	
40	UC208MZ2		80	49.2	21	2	19	30.2	8	M8x1	6.2	53	2990	1830		1.40	
45	UC209MZ2		85	49.2	22	2	19	30.2	8	M8x1	6.5	57.3	3350	2090		1.50	
50	UC210MZ2		90	51.6	23	2	19	32.6	9	M10x1.25	6.5	63	3600	2370		1.76	

NOTE: If RF is required, add "RF" after the part number. For more information please see page 90 on RF Patent Seals.

INTERCHANGES: RRZ110BRR

INSERTS

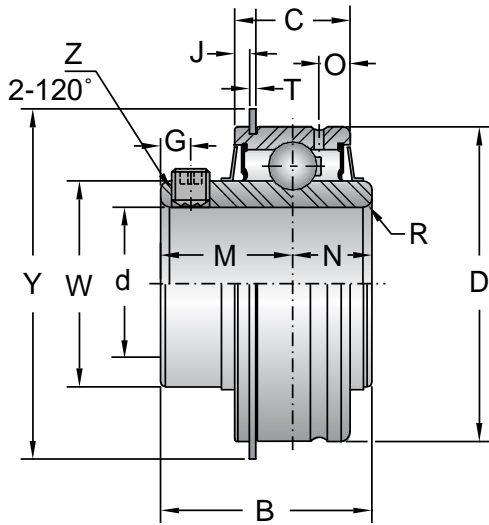


Shaft Dia. (in.) d	AMI Unit #	List Price	Dimensions (in.)										Basic Load Rating (lb.)		Weight (lb.)		
			D	B	C	R	N	M	G	Z (UNF)	T	W	Dynamic Cr	Static Cor			
1/2	UC201-8MZ20																0.44
5/8	UC202-10MZ20		1.8504	1.220	0.669	0.039	0.500	0.720	0.177	1/4-28	0.177	1.142	2890	1500		0.40	
3/4	UC204-12MZ20					0.059										0.36	
1	UC205-16MZ20		2.0472	1.339	0.669	0.059	0.563	0.776	0.197	1/4-28	0.177	1.339	3150	1780		0.42	
1-3/16	UC206-19MZ20		2.4409	1.500	0.748	0.059	0.626	0.874	0.197	1/4-28	0.201	1.594	4410	2540		0.68	
1-1/4	UC206-20MZ20															0.64	
1-1/4	UC207-20MZ20															1.18	
1-3/8	UC207-22MZ20		2.8346	1.689	0.787	0.079	0.689	1.000	0.236	5/16-24	0.228	1.890	5820	3460		1.06	
1-7/16	UC207-23MZ20															0.98	
1-1/2	UC208-24MZ20		3.1496	1.937	0.827	0.079	0.748	1.189	0.315	5/16-24	0.244	2.087	6590	4020		1.50	
1-11/16	UC209-27MZ20		3.3465	1.937	0.866	0.079	0.748	1.189	0.354	5/16-24	0.256	2.256	7420	4610		1.62	
1-3/4	UC209-28MZ20															1.54	
1-15/16	UC210-31MZ20		3.5433	2.031	0.906	0.079	0.748	1.283	0.354	3/8-24	0.256	2.480	7980	5220		1.80	
2	UC210-32MZ20															1.70	

NOTE: If RF is required, add "RF" after the part number. For more information please see page 90 on RF Patent Seals.

INTERCHANGES: INS-SC-100-CR

INSERTS

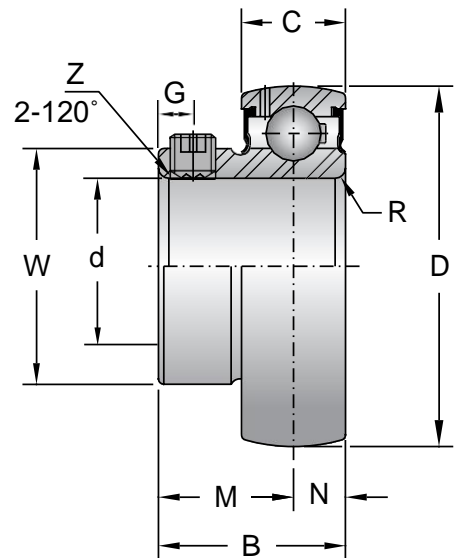


Shaft Dia. (in.)	AMI Unit #	List Price	Dimensions (in.)													Basic Load Rating (lb.)		Weight (lb.)
			D	B	C	R	N	M	G	Z (UNF)	O	W	J	T	Y (Max.)	Dynamic Cr	Static Cor	
5/8	MSER202-10		1.8504	1-7/32	5/8	0.039	13/32	13/16	0.177	1/4-28	0.150	1.142	3/32	0.042	2.075	2450	1190	0.40
3/4	MSER204-12					0.059												0.36
1	MSER205-16		2.0472	1-3/8	3/4	0.059	33/64	55/64	0.197	1/4-28	13/64	1.339	3/32	0.042	2.280	2680	1420	0.46
1-3/16	MSER206-19		2.4409	1-1/2	7/8	0.059	5/8	7/8	0.197	1/4-28	7/32	1.594	1/8	0.065	2.665	3750	2030	0.74
1-1/4	MSER207-20		2.8346	1-11/16	15/16	0.079	11/16	1	0.236	5/16-24	7/32	1.890	1/8	0.065	3.095	4950	2770	1.26
1-7/16	MSER207-23																	1.08
1-1/2	MSER208-24		3.1496	1-15/16	1-3/32	0.079	3/4	1-3/16	0.315	5/16-24	1/4	2.087	1/8	0.065	3.410	5600	3210	1.64

NOTE: If RF is required, add "RF" after the part number. For more information please see page 90 on RF Patent Seals.

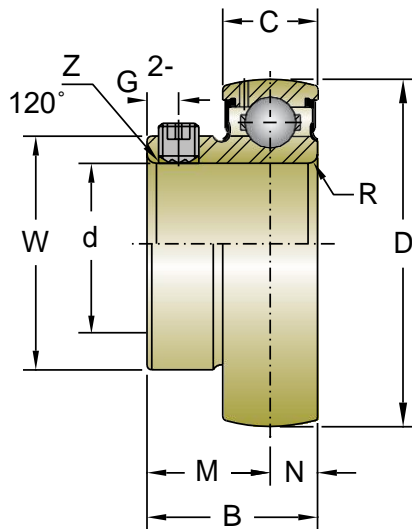
INTERCHANGES: ER205-16S6

INSERTS



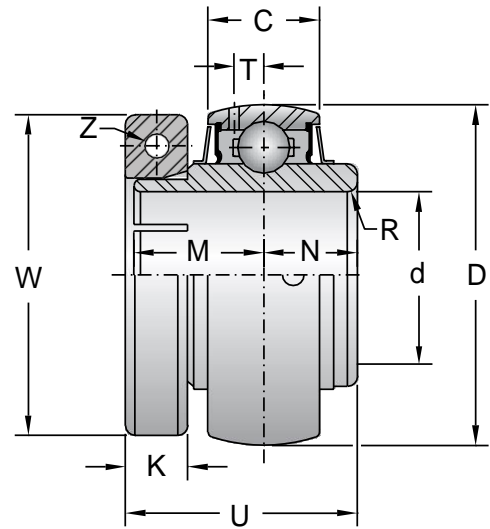
Shaft Dia. (in.)	AMI Unit #	List Price	Dimensions (in.)									Basic Load Rating (lbf.)		Weight (lb.)
			D	B	C	R	N	M	G	Z (UNF)	W	Dynamic Cr	Static Cor	
1/2	MB1-8		1.5748	0.866	0.472	0.039	0.236	0.630	0.157	10-32	0.972	1830	860	0.20
5/8	MB2-10											2450	1190	
3/4	MB4-12		1.8504	0.972	0.551	0.059	0.276	0.697	0.177	10-32	1.142	2450	1190	0.28
1	MB5-16		2.0472	1.063	0.591	0.059	0.295	0.767	0.197	1/4-28	1.339	2680	1420	0.34
1-1/4	MB6-20		2.4409	1.193	0.630	0.059	0.315	0.878	0.197	1/4-28	1.594	3750	2030	0.50
			Dimensions (mm)									Basic Load Rating (kgf.)		
20	MB4		47	24.7	14	1.5	7	17.7	4.5	M5x0.8	29	1110	540	0.26
25	MB5		52	27	15	1.5	7.5	19.6	5	M6x0.75	34	1220	640	0.34
30	MB6		62	30.3	16	1.5	8	22.3	5	M6x0.75	40.5	1700	920	0.54
35	MB7		72	32.9	17	2	8.5	24.4	6	M8x1	48	2250	1260	0.80
40	MB8		80	35.5	18	2	9	26.5	8	M8x1	53	2540	1460	1.06

INTERCHANGES: SB205-16S6



Shaft Dia. (in.)	AMI Unit #	List Price	Dimensions (in.)									Basic Load Rating (lbf.)		Weight (lb.)
			D	B	C	R	N	M	G	Z (UNF)	W	Dynamic Cr.	Static Cr.	
1/2	B1-8MZ2		1.5748	0.866	0.472	0.039	0.236	0.630	0.157	10-32	0.972	2150	1080	0.22
5/8	B2-10MZ2	0.20												
3/4	B4-12MZ2		1.8504	0.972	0.551	0.059	0.276	0.697	0.177	10-32	1.142	2890	1500	0.30
1	B5-16MZ2		2.0472	1.063	0.591	0.059	0.295	0.767	0.197	1/4-28	1.339	3150	1780	0.34
1-1/8	B6-18MZ2		2.4409	1.193	0.630	0.059	0.315	0.878	0.197	1/4-28	1.594	4410	2540	0.58
1-3/16	B6-19MZ2	0.54												
1-1/4	B6-20MZ2	0.50												
1-1/4	B7-20MZ2		2.8346	1.295	0.669	0.079	0.335	0.961	0.236	5/16-24	1.890	5820	3460	0.92
1-3/8	B7-22MZ2	0.82												
1-7/16	B7-23MZ2	0.78												
1-1/2	B8-24MZ2	1.14												
			3.1496	1.397	0.709	0.079	0.354	1.043	0.315	5/16-24	2.087	6590	4020	

INTERCHANGES: SB205-16S7 GAY100NPP-B-AS2/V-FA125



Shaft Dia. (in.)	AMI Unit #	List Price	Dimensions (in.)										Basic Load Rating (lbf.)		Weight (lb.)
			D	U	C	R	N	M	T	W	K	Z(UNC)	Dynamic Cr	Static Cor	
3/4	UE204-12MZ20		1.8504	1.299	0.669	0.059	0.500	0.720	0.177	1.724	0.374	8-32	2890	1500	0.50
1	UE205-16MZ20		2.0472	1.394	0.669	0.059	0.563	0.780	0.177	1.929	0.374	8-32	3150	1760	0.56
1-3/16	UE206-19MZ20		2.4409	1.567	0.748	0.059	0.626	0.874	0.201	2.185	0.374	8-32	4410	2540	0.86
1-1/4	UE206-20MZ20	0.80													
1-1/4	UE207-20MZ20		2.8346	1.728	0.787	0.079	0.689	1.000	0.228	2.421	0.433	10-24	5820	3460	1.38
1-7/16	UE207-23MZ20	1.22													
1-1/2	UE208-24MZ20		3.1496	1.976	0.827	0.079	0.748	1.189	0.244	2.677	0.433	10-24	6590	4030	1.74

NOTE: If RF is required, add "RF" after the part number. For more information please see page 90 on RF Patent Seals.

INTERCHANGES: INS-DL-100CR PN16T

MATERIALS

Bearing Materials:

Because of repetitive stresses to the rolling contact areas within a bearing, surface fatigue will occur after some duration of operation depending upon the operating conditions. To maximize to the useful life of a bearing by delaying the onset of material fatigue, the highest possible quality materials are used in bearing production with the following properties:

- High Levels of Hardness
- High Rolling Contact Fatigue Resistance
- Good Wear Resistance
- Good Mechanical Strength

The standard material for AMI bearing rings and rolling elements is vacuum-degassed, high-carbon, chrome bearing steel. For applications that operate in wash down or corrosive environments, stainless steel is used.

Table 1

Bearing Rings and Balls:	C	Si	Mn	P	S	Cr	Mo
SUJ2 (US Equivalent AISI 52100)	0.95 ~ 1.10	0.15 ~ 0.35	≤ 0.50	≤ 0.025	≤ 0.025	1.30 ~ 1.60	≤ 0.08
SUS440C Stainless Steel	0.95 ~ 1.20	≤ 1.0	≤ 1.0	≤ 0.040	≤ 0.030	16.0 ~ 18.0	≤ 0.75

Bearing Protection:

Black Oxide

Black Oxide is a uniform finish for ferrous metals. It has an excellent appearance and is abrasion resistant, but only offers limited corrosion protection under mild conditions.

Zinc

Zinc is the corrosion protection workhorse for the bearing industry. It offers wash down resistance at a price you can afford. We use a zinc with yellow chromate. Protection is provided by presenting a barrier between the bearings base metal and the environment. The specific process we use has a self healing ability where it can still protect the metal when some of the coating has been removed as a result of a scratch or an abrasion.

Kanigen

Kanigen is a high quality electroless nickel finish that is applied in a liquid chemical bath. The process has a bonding strength up to 60,000 psi, so it won't crack or flake off. It Provides excellent corrosion resistance that is superior to pure nickel and thin dense chrome and comes very close to that found in heat treatable grades of stainless steel.

Housing Materials:

Gray Iron with Nickel Corrosion Resistance

Our bearing housings are one-piece solid cast iron with a minimum tensile strength of 25,000 psi. They are designed to be able to accommodate the full dynamic and static loading of the bearing inserts they are designed to incorporate. Any of our gray iron housings are available with nickel to impart some corrosion resistance.

Thermoplastic

Thermoplastic housing materials have become the mainstay for corrosion protection in mounted bearing units. We use a Polybutylene Terephthalate 420 material that has a minimum tensile strength of 17,300 psi, which is 70% the strength of cast iron. Additional information about these housings are on the following page.

Stainless Steel

This is the ultimate solution in the corrosion resistance product line, by combining maximum durability with corrosion resistance. We use a 304 cast material that has a minimum tensile strength of 73,000 psi.

TOLERANCES

Inner Bearing Ring Bore Tolerances:

Table 2

Nominal Bore Diameter				Tolerance		
Over		Including		Minimum	Maximum	
in.	mm	in.	mm		in.	mm
0.3937	10	0.7087	18	0	+0.0006	+0.015
0.7087	18	1.2500	31.75	0	+0.0007	+0.018
1.2500	31.75	2.0000	50.8	0	+0.0008	+0.021
2.0000	50.8	3.1496	80	0	+0.0009	+0.024
3.1496	80	4.7244	120	0	+0.0011	+0.028
4.7244	120	7.0866	180	0	+0.0013	+0.033

Bearing Housing Spherical Bore Diameter Tolerances:

The standard spherical inside diameter of an AMI Bearing Housings is known as a “J7” fit. The dimensional tolerance on spherical inside diameters of housings are classified into an “H7” for clearance fit, “K7” for interference fit, and “J7” for intermediate fit between “H7” and “K7”.

Radial Internal Clearance:

AMI uses “C0” radial internal clearance as a standard for all of our insert bearings (-4° to 212°F). AMI offers a wide range of internal clearance ranges for cold and high temperature applications.

Recommended Shaft Tolerances:

Table 3

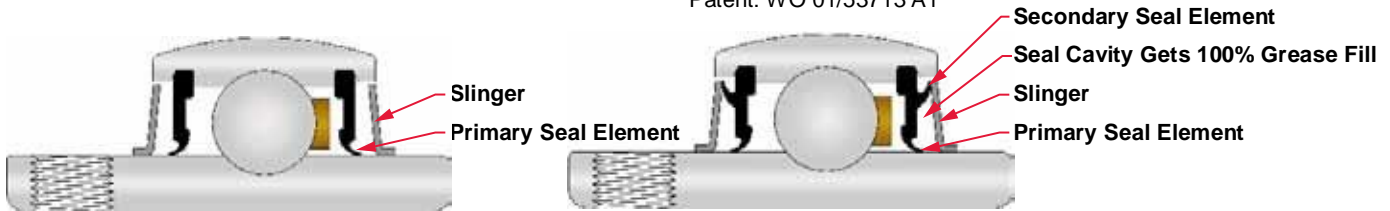
Inch Size Shafting	Metric Size Shafting
Shaft Diameter up to 1-15/16” Nominal to -0.0005”	Shaft Diameter up to 45 mm Nominal to -0.013 mm
Shaft Diameters 2” to 4-7/16” Nominal to -0.0010”	Shaft Diameters 50 mm to 140 mm Nominal to -0.025 mm

SEAL DESIGNS

Standard Single Lip Seal

RF Double Lip Seal

Patent: WO 01/53713 A1



Our optional RF seal is a patented double-lip contact seal specially designed for high pressure wash down as well as an application that requires maximum sealing efficiency.

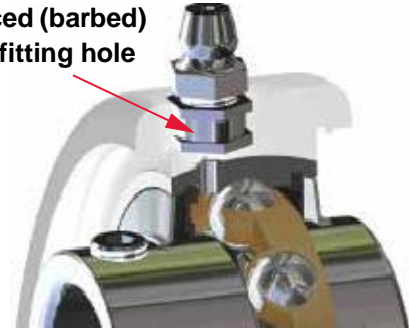
It’s main purpose is to keep moisture and contamination from corroding or damaging the bearings internal components. It is most effective against dirt, sawdust, food particles, and moisture.

The RF seal assembly should prevent contaminants from entering the raceway. Such contaminants can impede movement of the rolling elements and render the bearing assembly ineffective.

OUR THERMOPLASTIC ADVANTAGES

- Glass Reinforced Polybutylene Terephthalate (PBT) 420
- Tensile strength of 17,300psi
- Solid base construction
- No scratching, chipping, peeling, or water absorption
- 316 stainless steel seamless support bushings
- Reinforced (barbed) grease fitting hole that is molded into place
- Operating temperature range of -30°F ~ +280°F
- Available from stock in white or black
- Wide range of housing choices
- Directly interchangeable with conventional cast iron housings
- FDA Approved per FDA CFR 177.1660

Reinforced (barbed) grease fitting hole



Cover Material:

Capilene® SR 50

Polypropylene Impact Copolymer

Description

Capilene® SR 50 is a medium flow impact copolymer grade, featuring:

- Good balance between flow and mechanical properties
- Good process ability
- Good impact resistance

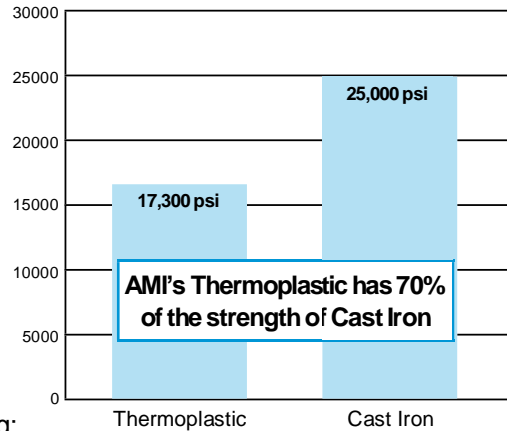
Quality Standards

Capilene® SR 50 is manufactured under ISO 9002 Quality Management System

Food Contact Status (FDA Status)

- Complies with the requirements for contact with food particles, as published by the Food and Drug Administration of the United States, in Section 177.1660. European United Status
- Suitable for food contact applications

Thermoplastic vs. Cast Iron Tensile Strength

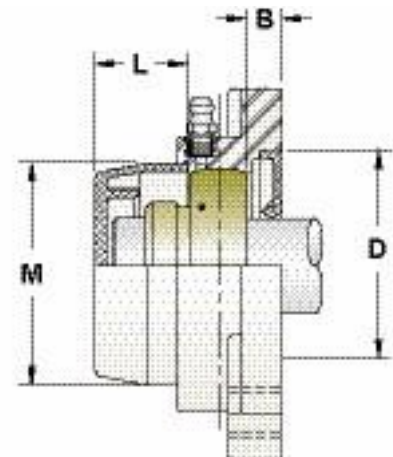


Thermoplastic Cover Dimensions:

Table 4

Shaft Diameter		Dimensions (mm)			
mm	in.	L	M	D	B
12	1/2	23	50	52	6
15	5/8	23	50	52	6
17	-	23	50	52	6
20	3/4	23	50	52	6
25	7/8, 15/16, 1	25	55	62	6
30	1-1/16, 1-1/8, 1-3/16, 1-1/4	30	64	72	6
35	1-1/4, 1-5/16, 1-3/8, 1-7/16	32	74.5	82	6
40	1-1/2, 1-9/16	37	84	88	6
45	1-5/8, 1-11/16, 1-3/4	41	89	93	6
50	1-7/8, 1-15/16, 2	47	94	98	6

Thermoplastic covers are available for the following ring sizes: 204-210 (for all housings)
 Back seals available for the following ring sizes: 204-210 (for PPL, FPL, FBL, and NFL)



Thermoplastic Housing Breaking Point Test (lbf.)										
Mode of Load		203	204	205	206	207	208	209	210	
PPL			1,978	3,080	2,844	2,866	2,945	3,003	3,113	
				1,731	2,448	2,383	2,428	2,495	2,562	2,641
				1,124	1,821	1,292	1,686	1,910	2,012	2,146
TBL			1,846	1,920	2,330	2,730	2,748	2,900		
				1,551	1,575	1,480	1,818	2,045	2,338	
				670	640	1,110	1,830	2,202	2,407	
NFL			2,642	2,557	3,698	3,799	3,900	3,956	4,035	
				2,473	3,114	3,001	3,136	3,159	3,214	3,270
				1,910	2,495	3,192	3,350	3,409	3,450	3,518
LF/LX		1,800	1,890	1,980						
		1,750	1,910	2,070						
		1,170	1,416	1,935						
FBL			1,620	2,050	2,745	2,900				
			2,070	2,500	2,655	2,680				
			585	630	651	700				
FPL			3,585	2,922	4,046	4,159	4,294	4,350	4,417	
			2,304	2,731	3,979	4,159	4,328	4,350	4,410	
			821	753	753	791	852	865	896	
TPL/NTPL/WTPL			3,325	3,485	3,550	3,710	3,890			
			880	1,020	1,150	1,460	1,755			
			1,910	2,325	2,450	2,540	2,735			
HPL			3,325	3,485	3,550	3,710				
			880	1,020	1,150	1,460				
			1,910	2,325	2,450	2,540				

Thermoplastic Housing Mounting Bolts							
Housing Size	204	205	206	207	208	209	210
Bolt Diameter / in. (mm)	3/8 (M10)	3/8 (M10)	1/2 (M12)	1/2 (M12)	1/2 (M12)	5/8 (M16)	5/8 (M16)
Maximum Tightening Torque / ft.-lbs.	13	18	22	25	33	36	40

BEARING MOUNTING

Set Screw Locking:

1. Inspect the shaft
 - Measure the shaft to ensure it is within recommended tolerances per Table 3 on page 90:
 - Check for any nicks or burrs that might prevent the bearing from sliding on the shaft easily
 - Clean the mounting surface, then apply a film of light weight oil
2. Place the bearing on the shaft
 - Do not hammer the bearing onto the shaft
3. Bolt the housing to the mounting surface
 - The bearing and shaft must be aligned within 2°
 - Rotate the shaft to ensure it rotates smooth and freely
 - It is expected that plain washers will be used under mounting bolt heads to span the slot width
4. Align the set screws of the bearings at both ends of the shaft
 - See Figure 1
5. Alternate tightening of set screws
 - Tighten set screw “A” half of the recommended tightening torque (Figure 2)
 - Tighten set screw “B” all the way to the recommended tightening torque (Figure 2) per Table 5
 - Go back to set screw “A” and tighten it all the way to the recommended tightening torque with a variable torque wrench per Table 5

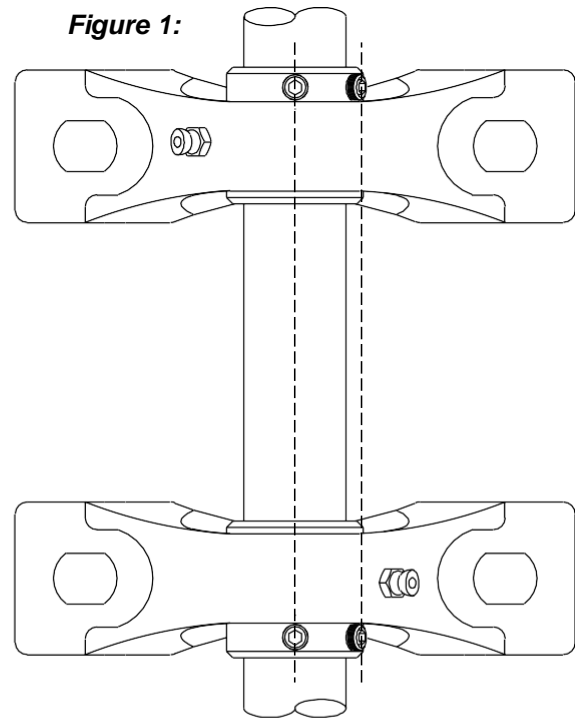
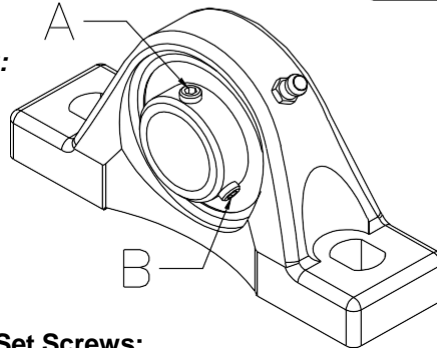


Figure 2:



Recommended Tightening Torque of Set Screws:

Table 5

Applicable Bearing #				Recommended Tightening Torque (in-lb)	
				zone hardened inner ring	through hardened inner ring
			B1-B3		21
			B4	22	
MUC201-MUC206	UC201-UC203	UC305-UC306	UCX05		35
	UC204-UC206			B5-B6	43
MUC207-MUC209		UC307	UCX06-UCX08		74
	UC207-UC209			B7-B8	104
MUC210-MUC213		UC308-UC309	UCX09-UCX12		143
	UC210-UC213			208	
	UC217-UC218	UC310-UC316	UCX13-UCX18		247
	UC214-UC216			347	
		UC317-UC324	UCX20		590
		UC326-UC328			998

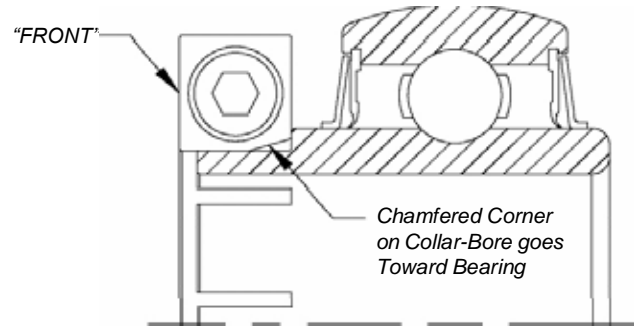
Reference Through-Hardened Tightening Torque Specifications for Stainless Steel Inserts

BEARING MOUNTING (continued)

Accu-Loc Concentric Locking Collar:

1. Inspect the Shaft
 - Measure the shaft to ensure it is within recommended tolerances per Table 3 on page 90:
 - Check for any nicks or burrs that might prevent the bearing from sliding on the shaft easily
 - Clean the mounting surface, then apply a film of light weight oil

Figure 3:



2. Place the bearing on the shaft
 - Do not hammer the bearing onto the shaft
3. Bolt the housing to the mounting surface
 - The bearing and shaft must be aligned within 2°
 - Rotate the shaft to ensure it rotates smooth and freely
 - It is expected that plain washers will be used under mounting bolt heads to span the slot width
4. Fasten the unit to the shaft
 - Place the locking collar on the tangs of the inner bearing ring with the chamfered corner on the bore of the collar toward the bearing. The collar is stamped with the word "FRONT", this should be facing away from the bearing and readable to the installer
 - Tighten the capscrew to the recommended tightening torque per Table 6 using the variable torque wench

Recommended Tightening Torque of Accu-Loc Cap Screws:

Table 6

Applicable Bearing #	Recommended Tightening Torque (in-lb)	
	Black Oxide Finish	Kanigen Corrosion Resistant
UE204-206	70	30
UE207-208	90	45
UE209	90	—
UE210-211	180	—
UE212	400	—

LUBRICATION

Proper lubrication is essential for adequate bearing life! A bearing cannot survive without it.

AMI Standard Lubricants:

AMI Bearings have an initial fill of lubricant when we manufacture them, therefore it is not necessary to lubricate prior to their initial operation. Below is a list of our standard used lubricants and their basic physical properties.

Table 7

APPLICATION	General Purpose	High Temperature		Cold Temperature	Free Spinning		Food Grade
PRODUCT NAME	Shell Alvania #3	Yuken Super-Lube #3	Kluber Noxlub BF4026	Shell AeroShell #7	Mobil Velocite 10	Amsoil AM-1	Citgo Clarion HTEP 2
PHYSICAL PROPERTY							
Lubricant Type	Grease	Grease	Grease	Grease	Oil	Grease	Grease
Color	Amber	-	White	Amber	-	Red	Off-White
NLGI Grade	3	3	2	2	N/A	1	2
Thickener Type	Lithium	Calcium Complex	PTFE	Microgel	N/A	Lithium Complex	Aluminum Complex
Base Oil Type	Mineral Oil	Mineral Oil	PFPE	Synthetic Diester	Mineral Oil	PAO + Ester	Mineral Oil
Base Oil Viscosity @ 40°C	98 cSt	-	390 cSt	10.3 cSt	22 cSt	130 cSt	954 cSt
Base Oil Viscosity @ 100°C	9.4 cSt	-	39 cSt	3.1 cSt	4 cSt	16.5 cSt	101 cSt
Operating Temperature Range	-13°F ~ 265°F (-25°C ~ 130°C)	-4°F ~ 400°F (-20°C ~ 200°C)	-20°F ~ 500°F (-30°C ~ 260°C)	-100°F ~ 300°F (-70°C ~ 150°C)	-20°F ~ 250°F (-30°C ~ 120°C)	-40°F ~ 425°F (-70°C ~ 150°C)	-10°F ~ 325°F (-12°C ~ 160°C)

We have many other lubricants available as well, including several solid lubricant choices. Additionally, we can change the grease in most of our bearings to anything you specify. Consult with AMI for recommendations.

Relubrication Intervals:

Table 8

Bearing Operating Temperature	Environmental Condition		
	Clean	Dirty	Washdown or Extremely Dirty
°F			
Up to 122	12 months	6 months	3 months
Up to 158	6 months	2 months	1 month
Up to 212	3 months	2 weeks	1 week
Up to 248	6 weeks	1 week	3 days
Up to 302	2 weeks	3 days	daily

LUBRICATION (continued)

Compatibility:

Beware of Mixing Greases!

When two incompatible greases are mixed, either one of two things can happen. Either the mixture hardens and will not release any of the oil or the opposite effect; the mixture softens and releases all of the oil.

In either case, the end result is basically the same; there is no means to effectively lubricate the bearing.

Two good greases, when mixed together can make one very bad grease!

It is recommended to use the same type of grease that was originally supplied with the bearing. When changes in grease type are necessary, please consult your lubricant supplier or AMI engineering staff to determine the compatibility of the mixture

Table 9

C = Compatible B = Borderline I = Incompatible	Aluminum Complex	Barium	Bentonite Clay	Calcium	Calcium 12-Hydroxy	Calcium Complex	Calcium Sulfonate	Lithium	Lithium 12-Hydroxy	Lithium Complex	Polyurea	Sodium
	Aluminum Complex	C	I	I	I	C	I	B	I	I	C	I
Barium	I	C	I	I	C	I	B	I	I	I	I	I
Bentonite Clay	I	I	C	C	C	I	B	I	I	I	I	I
Calcium	I	I	C	C	C	B	I	C	B	B	I	I
Calcium 12-Hydroxy	C	C	C	C	C	B	B	C	C	C	I	I
Calcium Complex	I	I	I	B	B	C	C	I	I	C	C	I
Calcium Sulfonate	B	B	B	I	B	C	C	C	C	C	B	I
Lithium	I	I	I	C	C	I	C	C	C	C	I	B
Lithium 12-Hydroxy	I	I	I	B	C	I	C	C	C	C	I	I
Lithium Complex	C	I	I	B	C	C	C	C	C	C	I	B
Polyurea	I	I	I	I	I	C	B	I	I	I	C	I
Sodium	I	I	I	I	I	I	I	B	I	B	I	C

LOAD CAPACITY AND LIFE OF BEARINGS

Bearing “Life” is defined as the number of revolutions and or hours at a given speed, which the bearing runs before the first evidence of fatigue develops in the material of either ring or of any of the rolling elements.

Basic Dynamic Load Rating, Cr: The constant stationary radial load which a rolling bearing could theoretically endure for a basic rating life of one million revolutions.

Basic Static Load Rating, Cor: A load acting on a non-rotating bearing. Maximum load that can be applied to the bearing without permanently damaging the bearing.

The rating life of ball bearings is calculated using the following formulas:

$$L_{10} = \left(\frac{C}{P} \right)^3$$

$$L_{10h} = \left(\frac{C}{P} \right)^3 \times \frac{10^6}{60 \times n}$$

Where:

L₁₀ : Rated Bearing Life in millions of revolutions

L_{10h} : Rated Bearing Life in operating hours

C : The bearings basic dynamic load rating in lbf or kgf

P : The equivalent applied radial load in lbf or kgf

n : Shaft speed in RPM

Additionally an adjusted rating life can be determined using the following formula:

$$L_{10a} = a_1 \times a_2 \times a_3 \times L_{10}$$

a₁ Reliability Factor:

This is an adjustment factor where estimated fatigue life other than 90% is desired.

Table 10

RELIABILITY %	L _{na}	a ₁
99	L ₁	0.21
98	L ₂	0.33
97	L ₃	0.44
96	L ₄	0.53
95	L ₅	0.62
90	L ₁₀	1
50	L ₅₀	5

a₂ Material Factor:

AMI Bearings, Inc. uses AISI 52100 high chromium bearing steel or SUS 440C stainless steel for our rolling elements and bearing rings. A factor of 1.0 is used for these materials. If a reduction in material hardness is expected due to high operating temperatures, a reduced a₂ factor should be used. Consult with AMI engineers in these situations.

a₃ Operating Condition Factor:

This factor should take into account the adequacy of lubrication, presence of contamination, and unusual loading or mounting conditions.

Values less than 1.0 should be considered when the kinematic viscosity of the lubricant is less than 13 cSt at the operating temperature or when the rotational speed is exceptionally low.

Values greater than 1.0 can only be considered when the lubrication conditions are so favorable that the probability of failure caused by surface distress is greatly reduced.

Insert bearings are normally mounted on a shaft with a loose fit and rely on features such as inner bearing width and a locking device, the “American Bearing Manufacturers Association (ABMA)” recommends an a₃ factor of 0.456.

Consult with AMI engineers for proper selection of these life adjustment factors.

Prices & Acceptance	All orders are for prompt acceptance only by the company's home office. In the event of an increase or decrease in company prices, the price on any order or contract will be the one in effect at time of shipment.
Taxes	Any sales, use, consumption or other tax applicable to the sale, purchase or use of the products is not included in the price shown on this order and shall be paid by the purchaser whenever due.
Terms	Payment terms are net cash within 30 days from date of invoice. All orders are subject to the approval of our credit department.
Minimum Charge	NO MINIMUM
Parcel Post	All goods shipped by parcel post will be insured and postal charges will be added to the invoice.
Shipments	Shipments will be routed to incur the lowest available transportation charges. All premium rate shipping services, express (air or rail), air freight, etc., will be utilized when the customer so specifies. The necessary extra charges will be added to our invoice to cover those premium services. If such shipments would normally qualify for prepayment of transportation charges by reason of products \$2500 or more, our invoice will reflect a deduction equal to the lowest obtainable transportation cost with excess prepaid charges added. All shipments, unless otherwise specified, are F.O.B. factory. Claims for all shortages, damage or non-delivery in transit shall be made by the consignees to the carrier. Request for proof of delivery must be submitted within 90 days from the date of shipment.
Freight Allowance	Freight will be allowed on one shipment to one destination of \$2500 or more net, F.O.B. factory.
Export Shipments	Transportation charges on export shipments will be prepaid to any United States port of exit if said shipment complies with our standard of domestic condition for freight allowance.
Deliveries & Cancellations	All orders are considered firm contracts. If we are unable to meet requested delivery requirements, and/or our expected dates of shipment, we shall not be liable for any claims for delays beyond our control, nor shall we accept cancellation or suspension unless mutually agreed upon in writing.
Packaging	We do not add extra charges for standard packing required by transport companies for domestic or non-ocean shipments. Additional charges may be applied to cover the cost of extra packing, special engineering, servicing or other unusual elements, including overtime authorized by purchaser, which have not been contemplated.
Export Packaging	Price on application.
Patents	We will defend and hold harmless purchasers of our products against charges of infringement or apparatus claims of the United States Patents issued at the time the product is ordered, providing such charges are based exclusively on mechanical infringement by a product designed and manufactured by us. Before this responsibility shall arise, we must be notified in writing and tendered the right to defend, settle or make any changes for the purpose of avoiding infringements. Under no circumstance will our liability exceed the purchase price of the product furnished by us.

NOTE: AN AUTHORIZED RMA FORM MUST ACCOMPANY ALL RETURNS

RETURNED MATERIALS - No goods will be accepted for return unless written authorization is issued from AMI Bearings, Inc. Goods that are returned for any reason other than defective material will be subject to inspection to ensure items are in a resalable condition. A 15% restocking fee plus freight costs will be deducted from the credit.

- The product must be shipped prepaid to our main facility located at 570 N. Wheeling Rd., Mt. Prospect, IL
- The total allowable value of your corporate return will be 10% of your previous calendar year purchase. An offsetting order of equal value is required.
- A product that is 2+ years old will not be accepted for return (reference original purchase order).

AMI WARRANTS THAT THE MERCHANDISE SOLD BY IT HEREUNDER SHALL BE FREE FROM DEFECTS IN MATERIAL AND WORKMANSHIP FOR A PERIOD OF ONE (1) YEAR FROM THE DATE OF SHIPMENT OF THE GOODS BY AMI. THIS IS THE SOLE AND EXCLUSIVE WARRANTY GIVEN BY AMI WITH RESPECT TO THE GOODS AND IS IN LIEU OF AND EXCLUDES ALL OTHER WARRANTIES, EXPRESS OR IMPLIED, ARISING BY OPERATION OF LAW OR OTHERWISE, INCLUDING WITHOUT LIMITATION, MERCHANTABILITY OR FITNESS FOR A PARTICULAR PURPOSE WHETHER OR NOT THE PURPOSE OR USE HAS BEEN DISCLOSED TO AMI IN SPECIFICATIONS, DRAWINGS OR OTHERWISE, AND WHETHER OR NOT AMI PRODUCTS ARE SPECIFICALLY DESIGNED AND/OR MANUFACTURED BY AMI FOR BUYER'S USE OR PURPOSE.

THIS WARRANTY DOES NOT EXTEND TO ANY LOSSES OR DAMAGES DUE TO MISUSE, ACCIDENT, ABUSE, NEGLIGENCE, NORMAL WEAR AND TEAR, UNAUTHORIZED MODIFICATION OR ALTERATION, USE BEYOND RATED CAPACITY, OR IMPROPER INSTALLATION, MAINTENANCE OR APPLICATION. TO THE EXTENT THAT BUYER OR ITS AGENTS HAS SUPPLIED SPECIFICATIONS, INFORMATION, REPRESENTATION OF OPERATING CONDITIONS OR OTHER DATA TO AMI IN THE SELECTION OR DESIGN OF THE GOODS AND THE PREPARATION OF AMI'S QUOTATION, AND IN THE EVENT THAT ACTUAL OPERATING CONDITIONS OR OTHER CONDITIONS DIFFER FROM THOSE REPRESENTED BY BUYER, ANY WARRANTIES OR OTHER PROVISIONS CONTAINED HEREIN WHICH ARE AFFECTED BY SUCH CONDITIONS SHALL BE NULL AND VOID. IF WITHIN THIRTY (30) DAYS AFTER BUYER'S DISCOVERY OF ANY WARRANTY DEFECTS WITHIN THE WARRANTY PERIOD, BUYER NOTIFIES AMI THEREOF IN WRITING, AMI SHALL, AT ITS OPTION, REPAIR, OR REPLACE OR REFUND THE PURCHASE PRICE FOR THAT PORTION OF THE GOODS FOUND BY AMI TO BE DEFECTIVE. FAILURE BY BUYER TO GIVE SUCH WRITTEN NOTICE WITHIN THE APPLICABLE TIME PERIOD SHALL BE DEEMED AN ABSOLUTE AND UNCONDITIONAL WAIVER OF BUYER'S CLAIM FOR SUCH DEFECTS. BUYER ASSUMES ALL OTHER RESPONSIBILITY FOR ANY LOSS, DAMAGE, OR INJURY TO PERSONS OR PROPERTY ARISING OUT OF, CONNECTED WITH, OR RESULTING FROM THE USE OF GOODS, EITHER ALONE OR IN COMBINATION WITH OTHER PRODUCTS/COMPONENTS.

IT IS EXPRESSLY UNDERSTOOD THAT ANY TECHNICAL ADVICE FURNISHED BY AMI WITH RESPECT TO THE USE OF THE GOODS IS GIVEN WITHOUT CHARGE, AND AMI ASSUMES NO OBLIGATION OR LIABILITY FOR THE ADVICE GIVEN, OR RESULTS OBTAINED, ALL SUCH ADVICE BEING GIVEN AND ACCEPTED AT THE BUYER'S RISK. AMI BEARINGS, INC.

570 N. Wheeling Road
Mt. Prospect, IL 60056

Phone: (800) 882-8462
Fax: (847) 759-0630

TO: _____ _____ _____ _____	DATE: _____ ATTN: _____ SHIP VIA: _____
(Phone # required for all Canada shipments)	

ITEM:	QTY:
<u>Catalogs</u>	
Mounted Bearing Units	_____
Corrosion Protection Bearing Units	_____
<u>Brochures</u>	
High Temperature	_____
Heavy Duty	_____
<u>Flyers</u>	
Product Overview	_____
Accu-Loc	_____
Accu-Loc (Corrosion MZ20)	_____
Free Spinning	_____
Corrosion (RF Seal & Slinger)	_____
Shur-Seal Protection System	_____
Underwater Units	_____
Set Screw Locking	_____
Bearing Materials	_____

All literature is available on our website at: www.amibearings.com



Stocking Warehouses in North America



Cerritos, CA • Tualatin, OR • Denver, CO • Carrollton, TX
 Atlanta, GA • Stuart, FL • Chicago, IL • Charlotte, NC
 Manchester, CT • Winnipeg, MB • Thornhill, ON



Member

Power Transmission Distributors Association



Bearing Specialists Association

Our Mission

The success of AMI Bearings is due to the countless ongoing friendships we have with distributors, suppliers, end-users, representatives and employees. We believe that as AMI continues to grow, we must lift all people associated with our achievements. We will endeavor to ensure that the success of our friends is placed equal with that of our own.

Our Promise

The speed at which business moves today has changed the nature of procurement. Companies no longer can tolerate long lead times for essential components. AMI provides next-day delivery to 94% of the continental U.S. and Canada and 100% within two days. We actively stock all cataloged items throughout our warehouse network, and guarantee same day shipment of all orders received by 4:20pm CST.

AMI is synonymous with flexibility! We will mix, match and even modify product to meet your requirements. Our goal is to make your job easier, so if you need something special, just ask!

AMI Bearings, Inc.

an **ASAHI** company

**SERVICE
SUPPORT
PRICE
QUALITY
AVAILABILITY
FLEXIBILITY**



Catalog: COR 7-09

**570 North Wheeling Road
Mt. Prospect, IL 60056
Phone: (847) 759-0620
Toll Free: (800) 882-8642
Fax: (847) 759-0630
www.amibearings.com**

Place reseller or distributor logo here